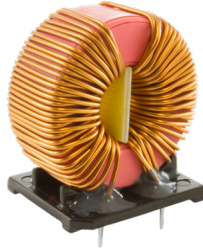


THT Common Mode Chokes

PH9455.XXXNL Series



- Ⓢ **Dielectric Strength:** 1500Vrms (380Vrms continuous)
- Ⓢ **Inductance Range:** 1.00mH (at 22.0A) to 82.0mH (at 3.0A)
- Ⓢ **Height:** 28.0mm Max
- Ⓢ **Footprint:** 12.6mm x 10.0mm

Electrical Specifications @ 25°C - Operating Temperature -40°C to +125°C

Part Number	Inductance (1-4)=(2-3) (mH +50%/-30%)	Current Rating (1-4)=(2-3) ¹ (A)	DCR (1-4)=(2-3) (mΩ Max)	Self Resonant Frequency (1-4)=(2-3) (MHz Min)	Impedance (kOhms Min at SRF)
PH9455.105NL	1.00	22	2.10	15.94	1.5
PH9455.155NL	1.62	19	3.20	10.00	1.8
PH9455.205NL	2.20	16	4.50	8.39	2.6
PH9455.405NL	4.50	12	8.50	4.00	4.4
PH9455.705NL	6.50	9	14.0	1.52	6.4
PH9455.156NL	15.0	6	30.0	0.76	10
PH9455.356NL	35.0	4	80.0	0.33	21
PH9455.826NL	82.0	3	150	0.13	37

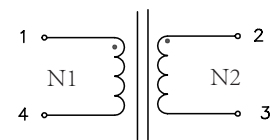
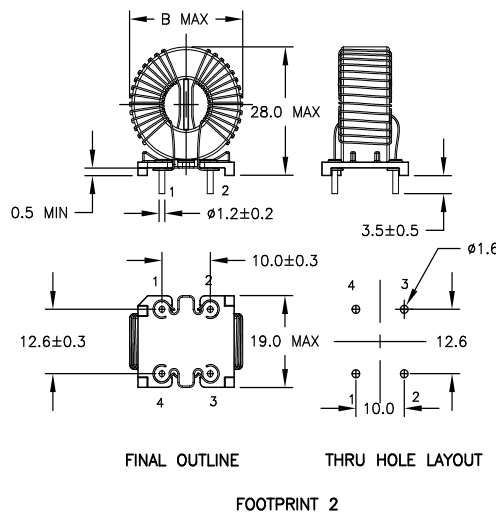
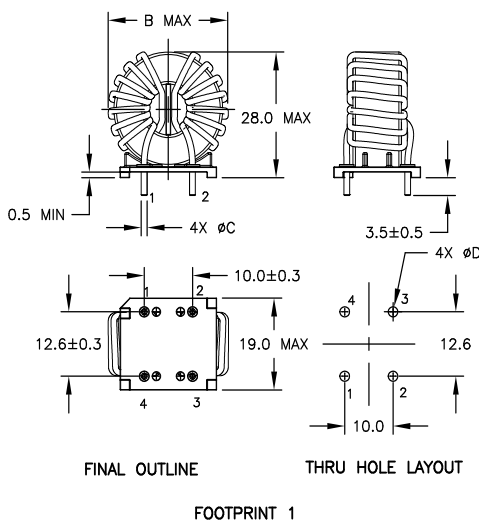
Notes:

1. The current rating (Irated) is based upon the temperature rise of the component and represents the rms current which will cause a typical temperature rise of 55°C.

Mechanical

Schematic

PH9455.XXXNL



PART NUMBER	B	C	D	FOOTPRINT
PH9455.105NL	30.0	1.63±0.20	2.10	1
PH9455.155NL		1.45±0.20	1.90	
PH9455.205NL		1.29±0.20	1.70	
PH9455.405NL	27.0	1.15±0.20	1.50	2
PH9455.705NL		1.02±0.20	1.45	
PH9455.156NL				
PH9455.356NL				
PH9455.826NL				

Weight (TYP)20grams

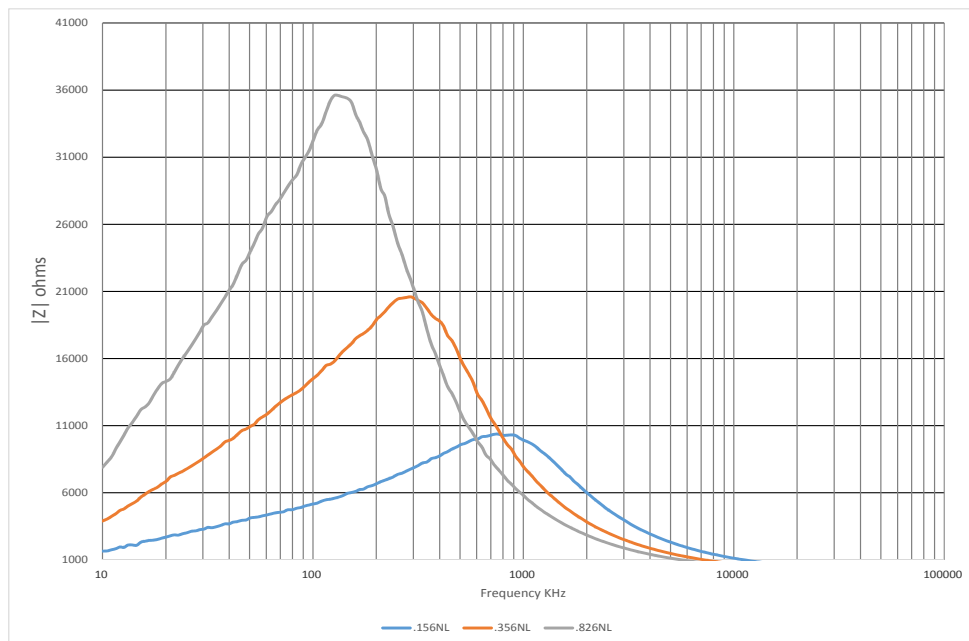
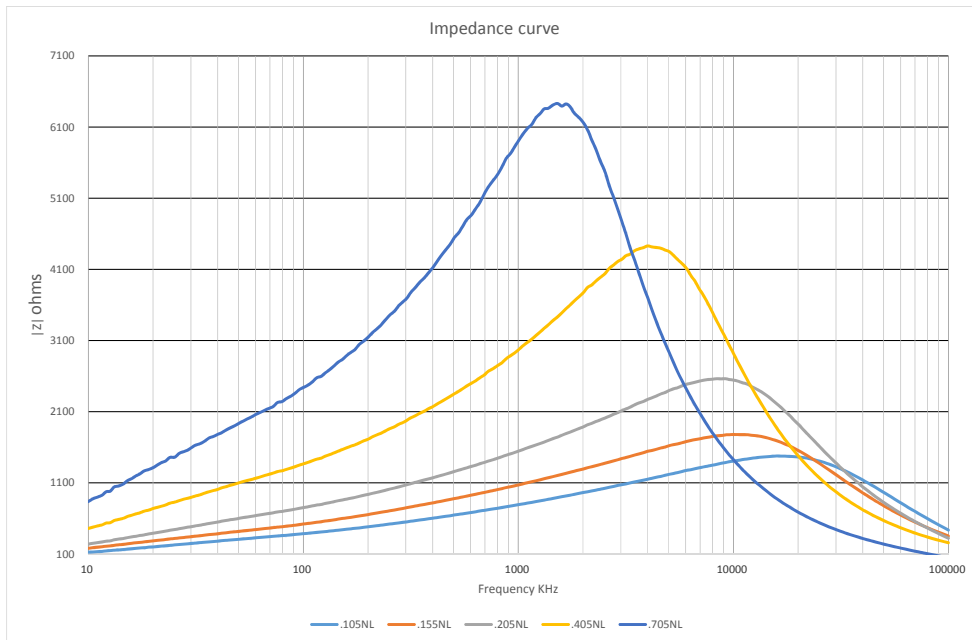
Tray45/tray

Dimensions: mm

Unless otherwise specified, all tolerance are ±0.25

THT Common Mode Chokes

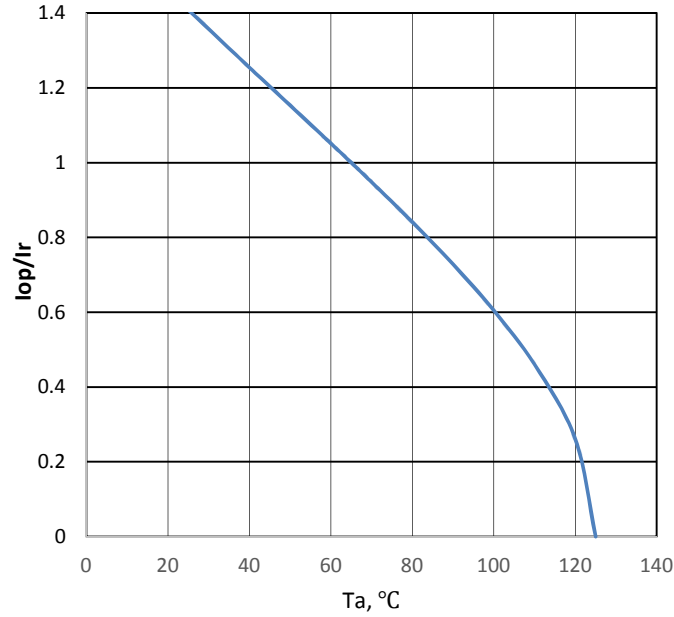
PH9455.XXXNL Series



THT Common Mode Chokes

PH9455.XXXNL Series

Current derating I_{op}/I_r
versus ambient temperature T_a



For More Information:

Americas - prodinfo_power@pulseelectronics.com | Europe - power-apps-europe@pulseelectronics.com | Asia - power-apps-asia@pulseelectronics.com

Performance warranty of products offered on this data sheet is limited to the parameters specified. Data is subject to change without notice. Other brand and product names mentioned herein may be trademarks or registered trademarks of their respective owners. © Copyright, 2020. Pulse Electronics, Inc. All rights reserved.

Mouser Electronics

Authorized Distributor

Click to View Pricing, Inventory, Delivery & Lifecycle Information:

Pulse:

[PH9455.705NL](#) [PH9455.155NL](#) [PH9455.105NL](#) [PH9455.356NL](#) [PH9455.205NL](#) [PH9455.405NL](#) [PH9455.156NL](#)
[PH9455.826NL](#)