

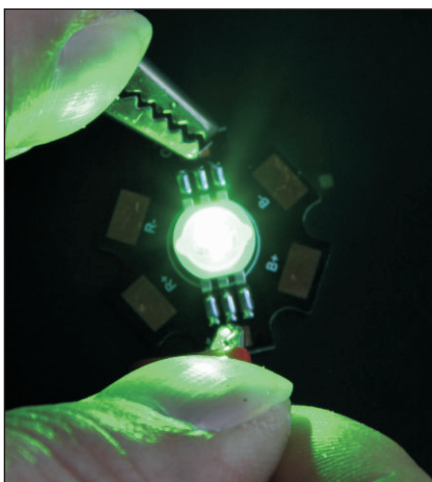


3W RGB LED Module



Product Description

- This is a High Power RGB Module in a aluminum PCB board, each channel 3W
- When it light up all 3 color together in same time, the board will very hot and it request
- To mount into a another board for heat dispation , please notice the Voltage per color during application

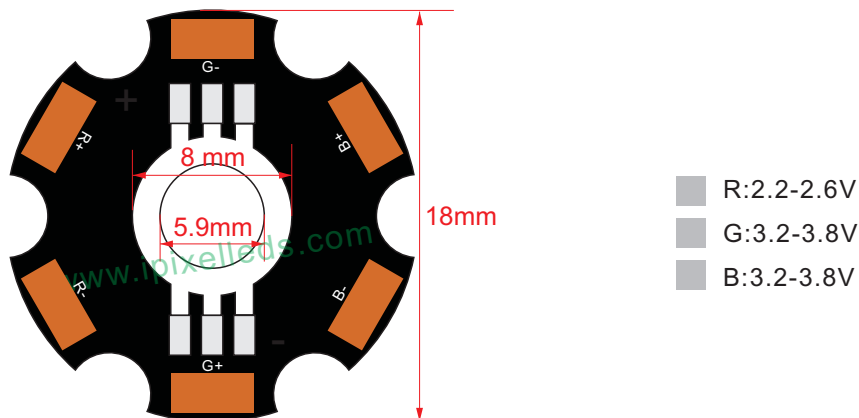
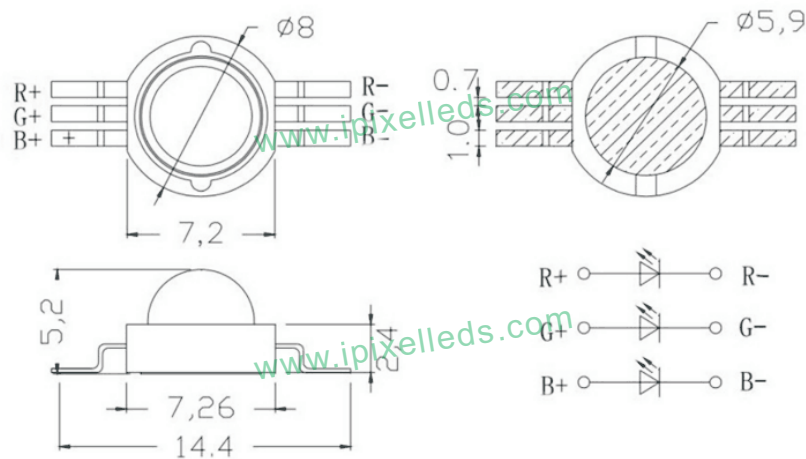




Product Datasheet

Product Number	M018001MA3LZ
Light Source	Imitation lumen lamp beads
Beam Angle	140°
Size (mm)	18 ϕ
Emitting Color	RGB
Operating Voltage	R: 2.2-2.6V G: 3.2-3.8V B: 3.2-3.8V
Power (W/M)	W: 3.6W
wavelength	R: 620 G: 520 B: 460
Waterproof Rating	IP20
Operation Temperature	-30°C-50°C

Outline Dimension



Mouser Electronics

Authorized Distributor

Click to View Pricing, Inventory, Delivery & Lifecycle Information:

[SparkFun Electronics:](#)

[COM-15200](#)