

SPECIFICATION

产品规格书

CUSTOMER : _____

(客户)

PART NO. : _____

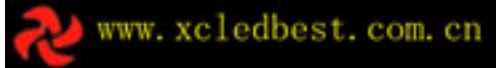
(产品型号)

SPEC NO. : _____

(规格书编号)

DATE : _____

(日期)



FOR AFFIRM

(供方确认)

AFFIRM (核准)	CHECKED (审核)	PREPARED (制定)
		刘小龙

Light color : Red 、 Green 、 Blue
Absolute maximum rating (Ta=25°C)

- Operating/Storage temperature range : -30°C~ +85°C
- Derating linear from 25°C : 0.4 mA/°C
- Lead soldering temperature range : 260°C for 3 second
- Colloid Color:White Clear
- Life Test:20,000~50,000hours

Electro-optical characteristics (TA=25°C)
RED COLOR :

Parameter	Symbol	Min	Typ.	Max	Unit	Test Condition
Forward voltage	V_F	❖	2.00	2.25	V	I_F = 20 mA
Luminous intensity	I_v	❖	1000	1200	mcd	I_F = 20 mA
Peak emission wavelength	λ_p	❖	620	630	nm	❖
Half intensity angle	$\Delta\theta$	❖	25	❖	deg	❖

GREEN COLOR :

Parameter	Symbol	Min	Typ.	Max	Unit	Test Condition
Forward voltage	V_F	❖	3.5	5	V	I_F = 20 mA
Luminous intensity	I_v	❖	1500	2000	mcd	I_F = 20 mA
Peak emission wavelength	λ_p	❖	515	525	nm	❖
Half intensity angle	$\Delta\theta$	❖	25	❖	deg	❖

BLUE COLOR :

Parameter	Symbol	Min	Typ.	Max	Unit	Test Condition
Forward voltage	V_F	❖	3.5	5	V	I_F = 20 mA
Luminous intensity	I_v	❖	1200	1500	mcd	I_F = 20 mA
Peak emission wavelength	λ_p	❖	460	470	nm	❖
Half intensity angle	$\Delta\theta$	❖	25	❖	deg	❖

Direct Current Characteristics

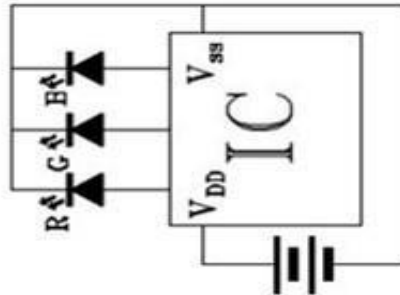
Parameter	Symbol	Min	Typ.	Max	Unit	Remarks
Operating voltage	V_{DD}	2.0	4.5	5.0	V	❖
Driver Current	I_{ol}	❖	50	❖	mA	@V _{DS} =1.2V
Power Consumption	P_o	❖	225	❖	mW	V _{DD} =4.5V
Flash Frequency	F_{tet}	❖	0.2	❖	Hz	External ± 30%

*All specs and applications shown above subject to change without prior notice.

(以上电路及规格仅供参考，本公司可进行修正)

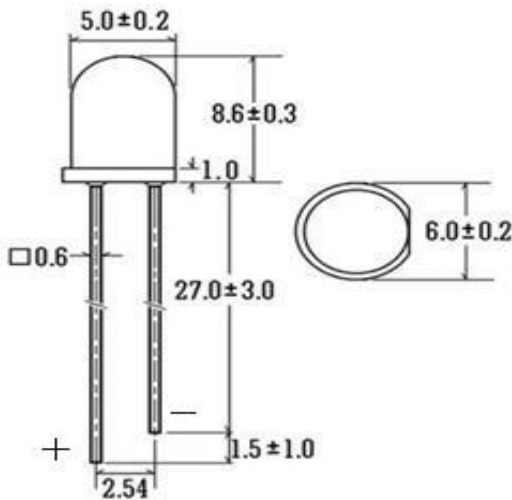
Application diagram and Dimensions

Application Diagram

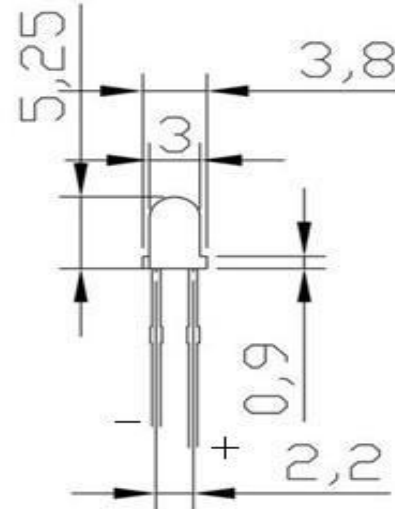


NOTE:
Unit:mm

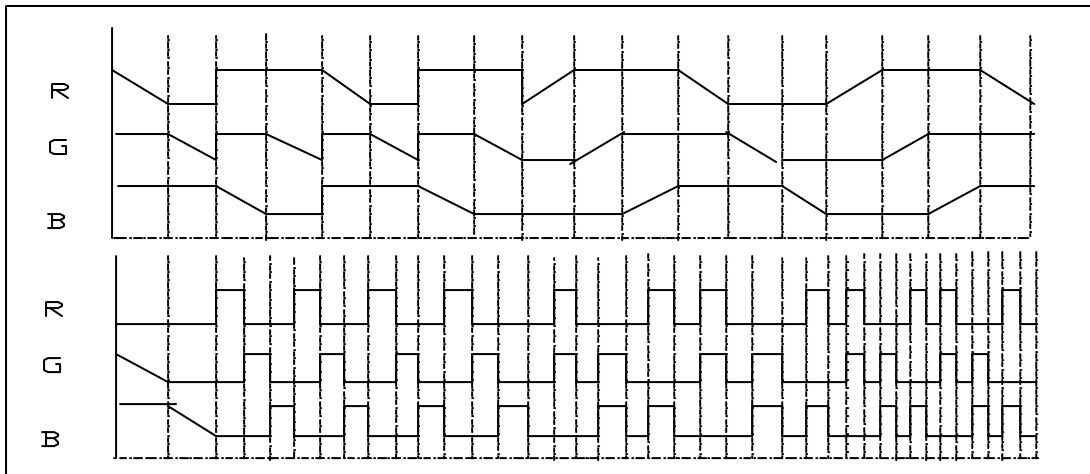
Dimensions:5mm



Dimensions:3mm



Output Sketch Map



*All specs and applications shown above subject to change without prior notice.

(以上电路及规格仅供参考，本公司可进行修正)

Mouser Electronics

Authorized Distributor

Click to View Pricing, Inventory, Delivery & Lifecycle Information:

[SparkFun Electronics:](#)

[COM-11448](#) [COM-11449](#) [COM-11450](#) [COM-11451](#) [COM-11452](#) [COM-11453](#)