

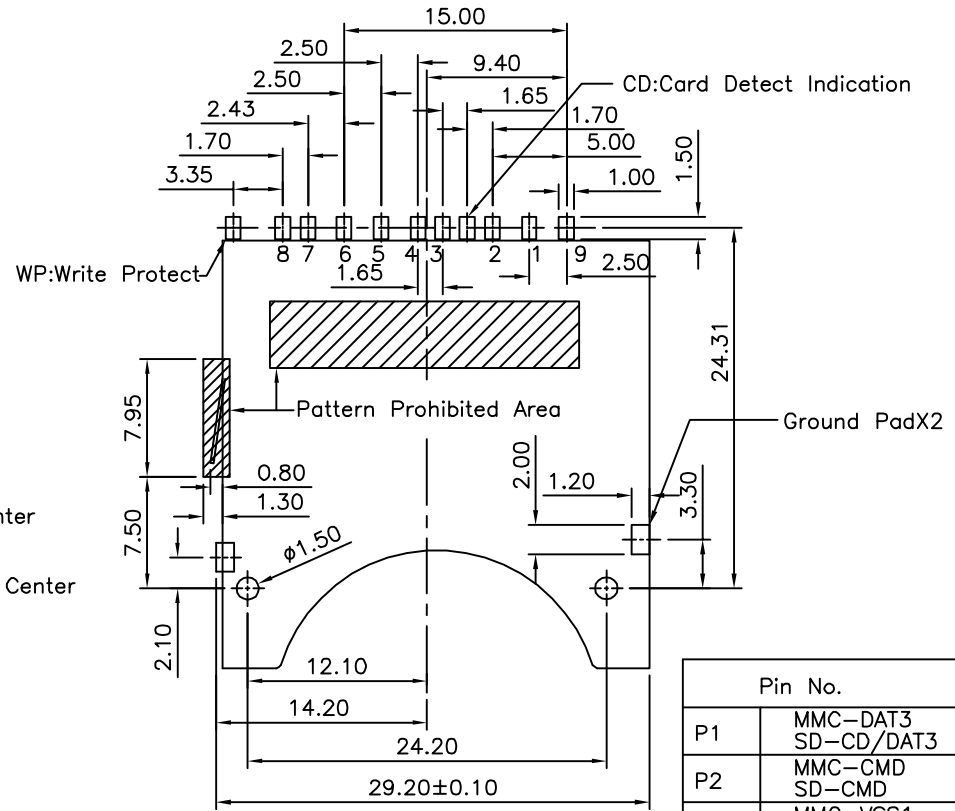
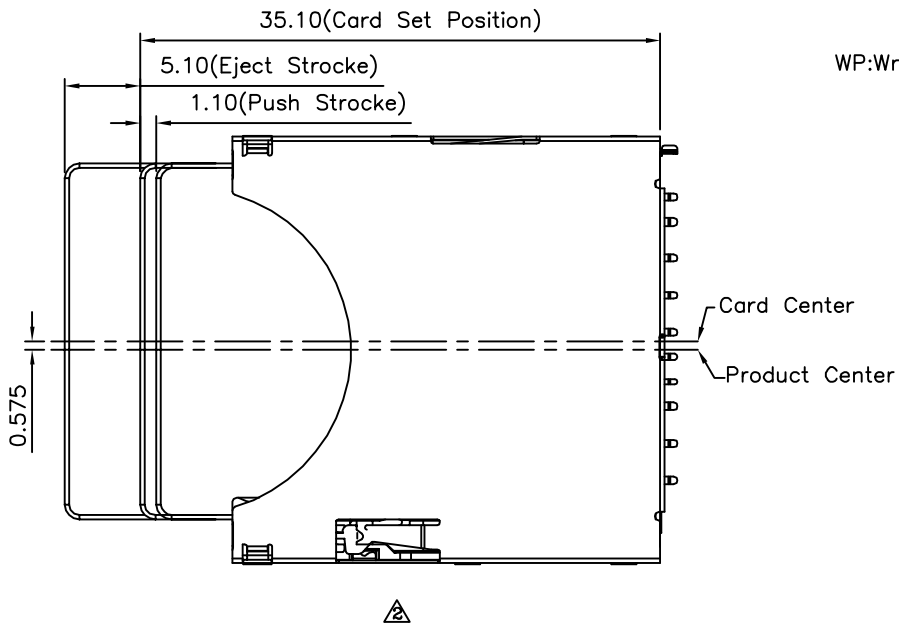
**SPECIFICATION**

- 1.General Characteristics**  
SD Card 9P SMT 90° Push Push Type  
Standoff 0.0/mm Normal
- 2.Material&Finish**  
Insulator:LCP(UL94V-0),Black  
Contact:Phosphor Bronze,Selective Gold Flash On Contact Area,Tin Plated On Solder Tails,Over Nickel  
Shell:Stainless,Nickel Plated  
Gold Flash On Solder Tails  
Ground:Phosphor Bronze,Tin Plated
- 3.Electrical Characteristics**  
Current Rating:0.5A  
Operating Voltage:250V AC/DC  
Contact Resistance:100 Milliohms Max.  
Insulation Resistance:1000 Megaohms Min. At 250V DC  
Dielectric Withstanding Voltage:500V AC/Minute
- 4.Mechanical Characteristics**  
Mating Cycles:10000 Cycles, Spring Is Not Breaking
- 5.Environmental Characteristics**  
Operating Temperature:-40°C~+65°C
- 6.RoHS Compliant**

**4UCON** 元化興業股份有限公司  
4UCON TECHNOLOGY INC.

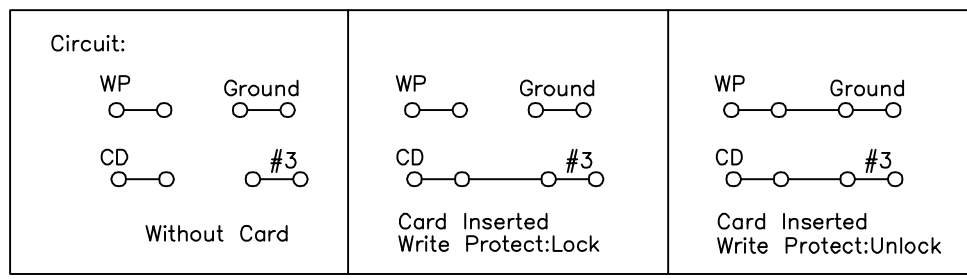
DRAWING No.		APPROVED BY		UNLESS OTHERWISE SPECIFIED TOLERANCES ARE
19608		MEI		
		HZF		
		DRAWING BY		X. ±0.50 X.* ±5°
		SONG		.X ±0.25 .X.* ±2°
				.XX ±0.15 .XX.* ±1°
SCALE	NONE	REV.	A2	UNIT mm

NO.	REV.	REVISIONS	CHK	DATE
△A2		Modify Data	HZF	05/09/2013
△A1		Modify Data	HZF	07/11/2012
△A0		NEW RELEASE	HZF	11/30/2011



△ Recommended P.C.B. Layout (All Tolerance Are ±0.05)

Pin No.		SD	MMC
P1	MMC-DAT3 SD-CD/DAT3	1P	1P
P2	MMC-CMD SD-CMD	2P	2P
P3	MMC-VSS1 SD-VSS1	3P	3P
P4	MMC-VDD SD-VDD	4P	4P
P5	MMC-CLK SD-CLK	5P	5P
P6	MMC-VSS2 SD-VSS2	6P	6P
P7	MMC-DAT0 SD-DAT0	7P	7P
P8	SD-DAT1	8P	—
P9	SD-DAT2	9P	—



**4UCON** 元化興業股份有限公司  
4UCON TECHNOLOGY INC.

DRAWING No.		APPROVED BY		UNLESS OTHERWISE SPECIFIED TOLERANCES ARE X. ±0.50 X.* ±5* .X ±0.25 .X* ±2* .XX ±0.15 .XX* ±1*
19608		MEI		
		CHECKED BY		
		HZF		
		DRAWING BY		UNIT mm
		SONG		
SCALE	NONE	REV.	A2	

NO.	REV.	REVISIONS	CHK	DATE
△A2		Modify Data	HZF	05/09/2013
△A1		Modify Data	HZF	07/11/2012
△A0		NEW RELEASE	HZF	11/30/2011

# Mouser Electronics

Authorized Distributor

Click to View Pricing, Inventory, Delivery & Lifecycle Information:

[SparkFun Electronics:](#)

[BOB-12941](#) [TOL-11468](#)