

# 96Boards ON Semiconductor Dual Camera Mezzanine

This 96Boards mezzanine card features two Polight IAS-compatible imaging modules based on imaging sensors from ON Semiconductor. These sensors interface to an AP1302 imaging coprocessor. By using the 96Boards standard, this card could be easily prototyped with the Ultra96-V2 platform. This kit simplifies the complex process of developing with imaging sensors.

MIPI-CSI2 is widely used in the consumer industry for high-speed communications from host processor to image sensors, but many image sensor modules have varying connector formats which can lead to difficulties with experimenting with different camera modules. The Imager Access System (IAS) image sensor module format from ON Semiconductor helps solve this problem and enables the following:

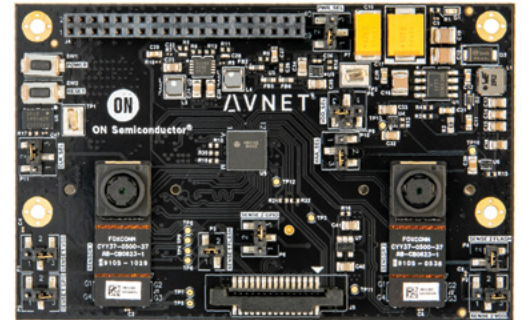
- Ease of Design-In: OEMs do not have to source lens or explore module vendors
- Decreases time to market by enabling low-touch design
- Prior imaging system expertise is not required since IAS is a plug-and-play solution

The purpose of the IAS standard is to help any end-product or board designer to gain access to all image sensor modules that are compatible within the IAS standard.

## FEATURE LIST

- Two IAS sensor modules
- AP1302 imaging coprocessor

To purchase this kit, visit <http://avnet.me/DualCameraMezz>



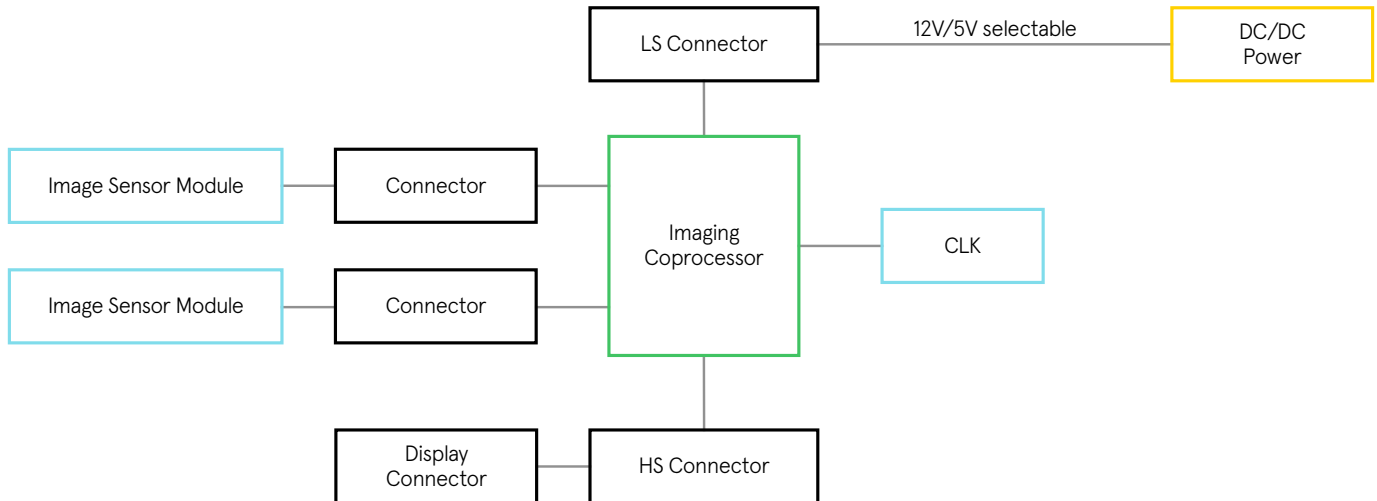
## KIT INCLUDES

- 96Boards ON Semiconductor Dual Camera Mezzanine board
- Two CAV10-000A

## TARGET APPS

- IoT
- AI
- Computer Imaging

## BLOCK DIAGRAM



## FEATURED MANUFACTURERS

ON Semiconductor®



## PARTS

Part Number	Description	Resale
AES-ACC-U96-ONCAM-MEZ	96Boards ON Semiconductor Dual Camera Mezzanine provides a development and prototyping platform for the AP1302 imaging processor coupled with dual imaging camera modules	\$199 USD

## RELATED PARTS

Part Number	Description	Resale
AES-ULTRA96-V2-G	Ultra96-V2 Zynq UltraScale+ ZU3EG single board computer based on the Linaro 96Boards Consumer Edition specification	\$249 USD

Countries available for purchase: AMER, APAC, EMEA, Japan

## CONTACT INFORMATION

**North America**  
2211 S 47<sup>th</sup> Street  
Phoenix, Arizona 85034  
United States of America  
1-800-585-1602

**Europe (Silica)**  
Gruber Str. 60c  
85586 Poing  
Germany  
+49-8121-77702

**Europe (EBV)**  
Im Technologypark 2-8  
85586 Poing  
Germany  
<http://ebv.com/contact>

**Japan**  
Yebisu Garden Place Tower, 23F  
4-20-3 Ebisu, Shibuya-ku  
Tokyo 150-6023 Japan  
[eval-kits-jp@avnet.com](mailto:eval-kits-jp@avnet.com)  
+81-(0)3-5792-8210

**Asia**  
151 Lorong Chuan  
#06-03 New Tech Park  
Singapore 556741  
[XilinxAPAC@avnet.com](mailto:XilinxAPAC@avnet.com)  
+65-6580-6000