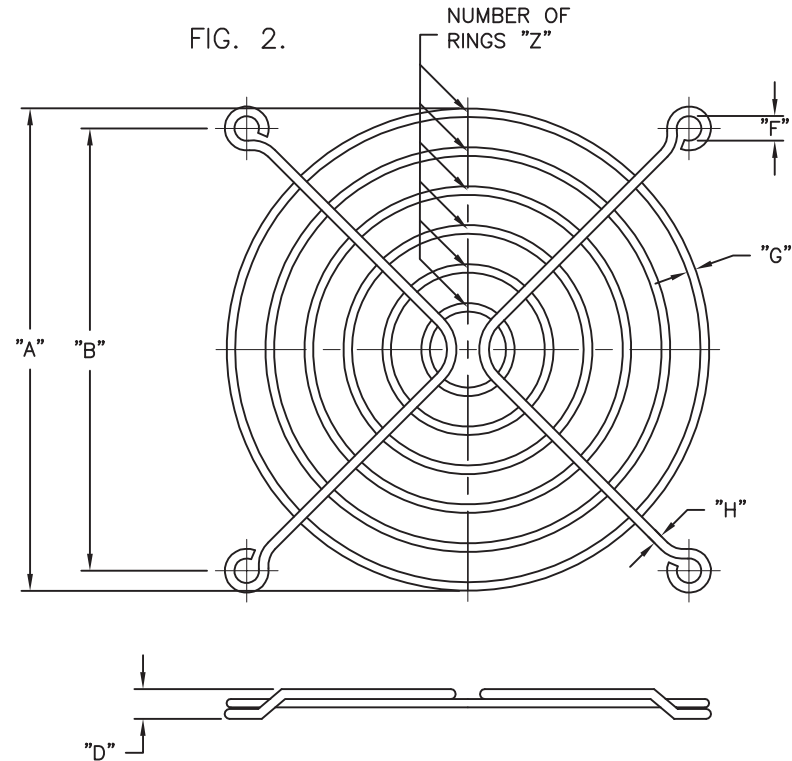
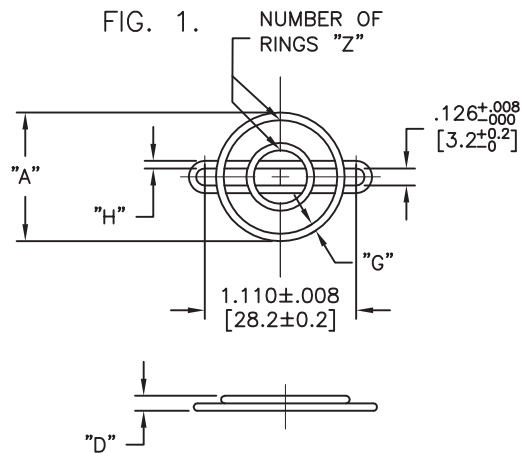


| PART NUMBER | "A"<br>±.03 [0.8] | "B"<br>±.03 [0.8] | "D"<br>±.03 [0.8] | "F"<br>±.03 [0.8] | "G"<br>REF. | "H"<br>REF. | "Z" | FIG. NO. |
|-------------|-------------------|-------------------|-------------------|-------------------|-------------|-------------|-----|----------|
| RCOFM-25    | .94 [24]          | ---               | .09 [2.2]         | ---               | .055 [1.4]  | .055 [1.4]  | 2   | 1        |
| RCOFM-40    | 1.15 [29.1]       | 1.26 [32.0]       | .19 [4.8]         | .16 [4.0]         | .06 [1.6]   | .06 [1.6]   | 2   | 2        |
| RCOFM-50    | 1.65 [42.0]       | 1.62 [41.1]       | .19 [4.8]         | .18 [4.6]         |             |             | 3   |          |
| RCOFM-60    | 2.09 [53.2]       | 1.97 [50.0]       | .17 [4.4]         | .18 [4.6]         | 4           |             |     |          |
| RCOFM-80    | 3.00 [76.2]       | 2.81 [71.5]       | .19 [4.9]         | .20 [5.2]         | .07 [1.8]   | 5           |     |          |
| RCOFM-92    | 3.54 [90.0]       | 3.25 [82.5]       | .22 [5.5]         | .18 [4.6]         | .06 [1.6]   | .07 [1.8]   | 6   |          |
| RCOFM-120   | 4.55 [115.6]      | 4.16 [104.8]      |                   |                   | .07 [1.8]   | 8           |     |          |



NOTES

1. MATERIAL: STEEL WIRE ELECTROPLATED (RMS-261).
2. PLATING: NICKEL CHROME (RMS-229)

| TITLE: METAL FAN GUARD |                                      |             | DWG IN IN [MM] |              | FINAL  |              |
|------------------------|--------------------------------------|-------------|----------------|--------------|--|--------------|
| F                      | REMOVED C & E DIMENSIONS, ECN # 1400 | DZ 01.21.15 | FILE #         | RCOFM        | DWN: R.D.G.  | DT: 11/11/04 |
| E                      | SEE CO 200247 FOR CHANGES            | SK 09.23.08 | MAT'L:         | SEE NOTES    | CHKD: SK   | ENGR: RDG    |
| D                      | SEE ECN # 1266 FOR CHANGES           | SK 12.14.06 | RE:            | RICHCO, INC. | RICHCO INC.<br>PO BOX 804238, CHICAGO, 60680<br>(773) 539-4060 |              |
| C                      | SEE ECN # 1159 FOR CHANGES           | SJ 05.02.06 |                |              | PART #<br>SEE TABLE  |              |
| B                      | SEE ECN # 1054 FOR CHANGES           | SK 09.09.05 |                |              | PRINT TYPE<br>CA   |              |
| A                      | RELEASED FOR PRODUCTION              | SK 03.17.05 |                |              |  |              |
| REV                    | DESCRIPTION                          | ENGR DATE   |                |              |  |              |

# Mouser Electronics

Authorized Distributor

Click to View Pricing, Inventory, Delivery & Lifecycle Information:

[Essentra:](#)

[RCOFM-25](#) [RCOFM-80](#) [RCOFM-92](#) [RCOFM-40](#) [RCOFM-50](#) [RCOFM-60](#)