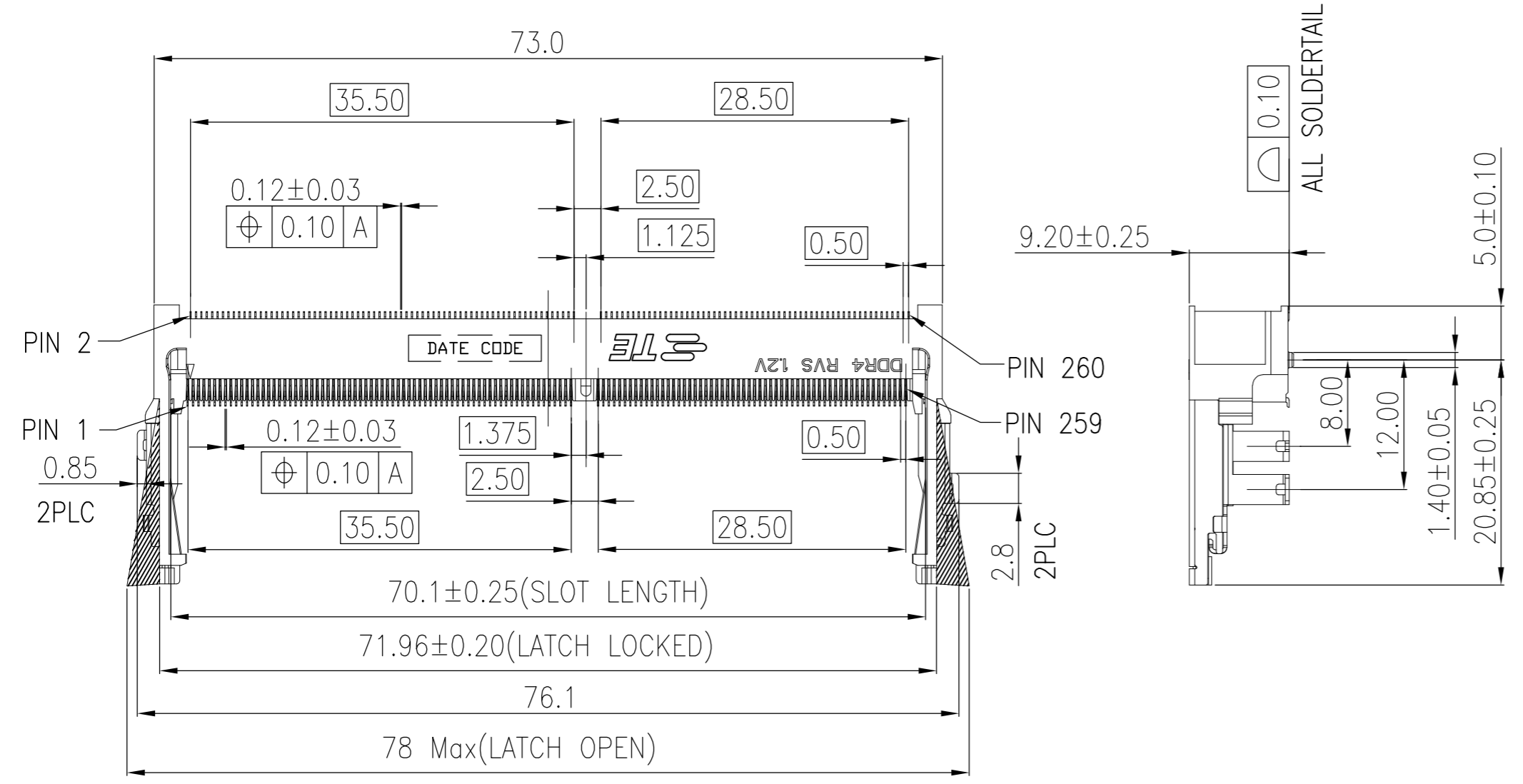
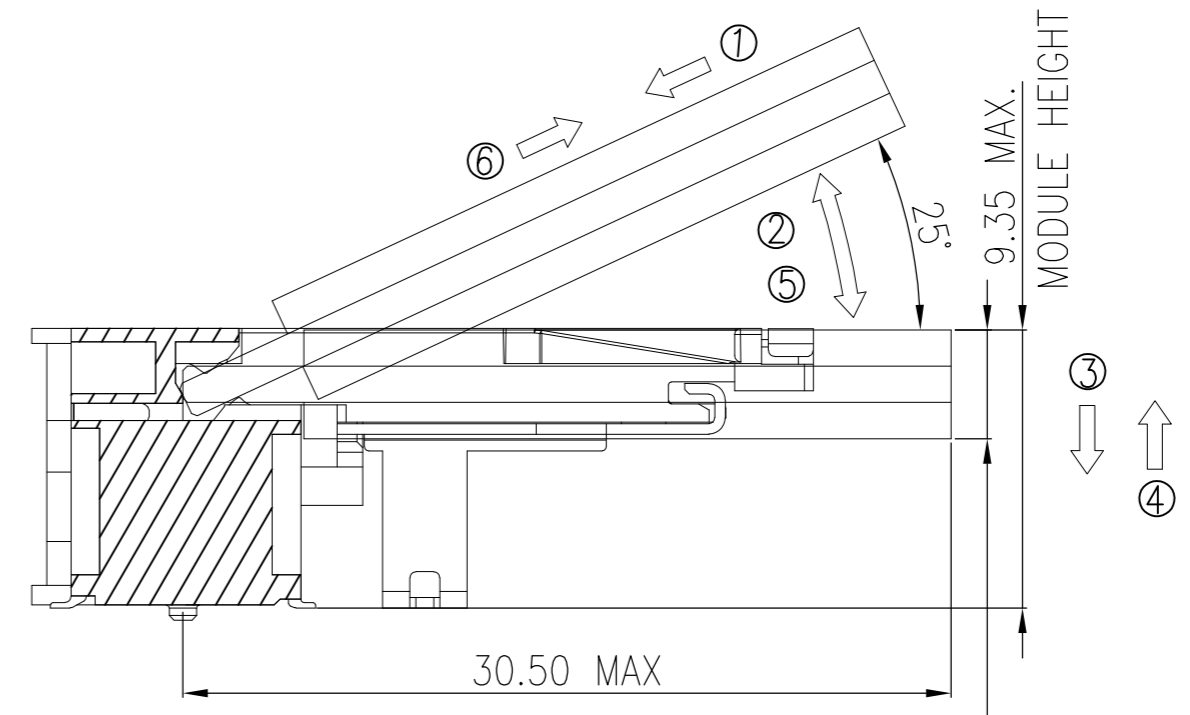
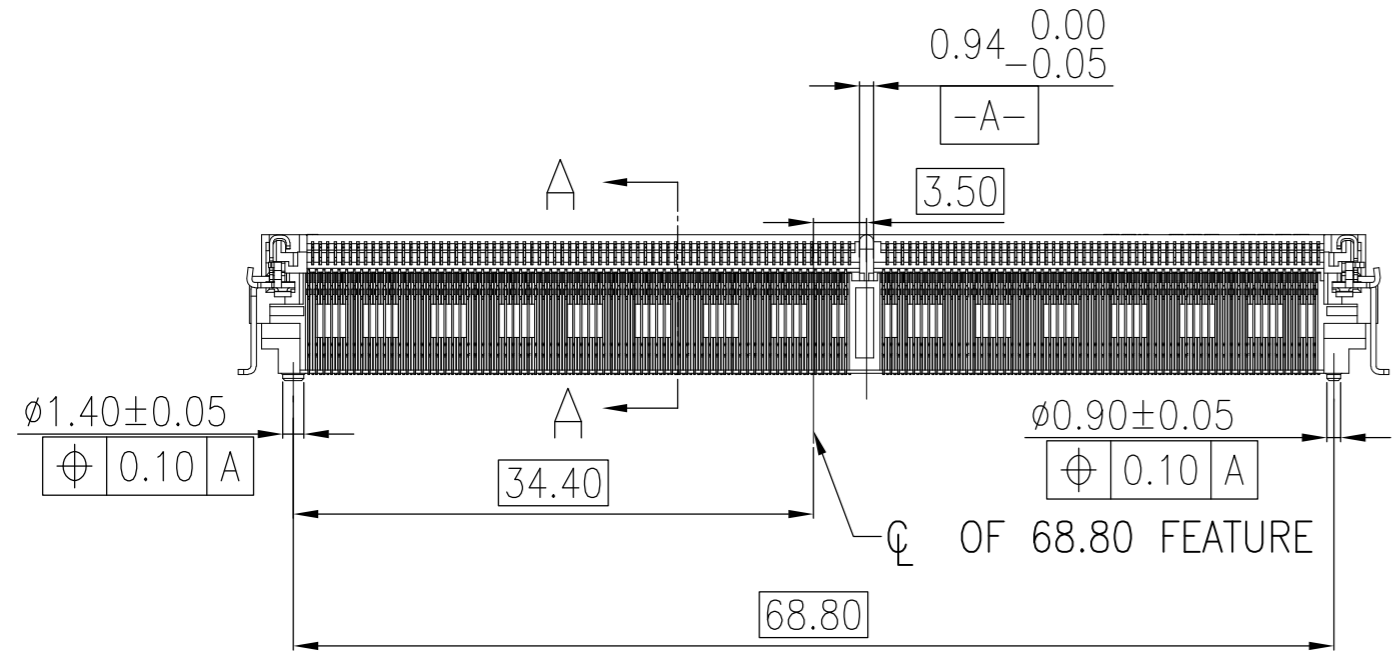


THIS DRAWING IS UNPUBLISHED. RELEASED FOR PUBLICATION  
 © COPYRIGHT 2016 By TE connectivity ALL RIGHTS RESERVED.

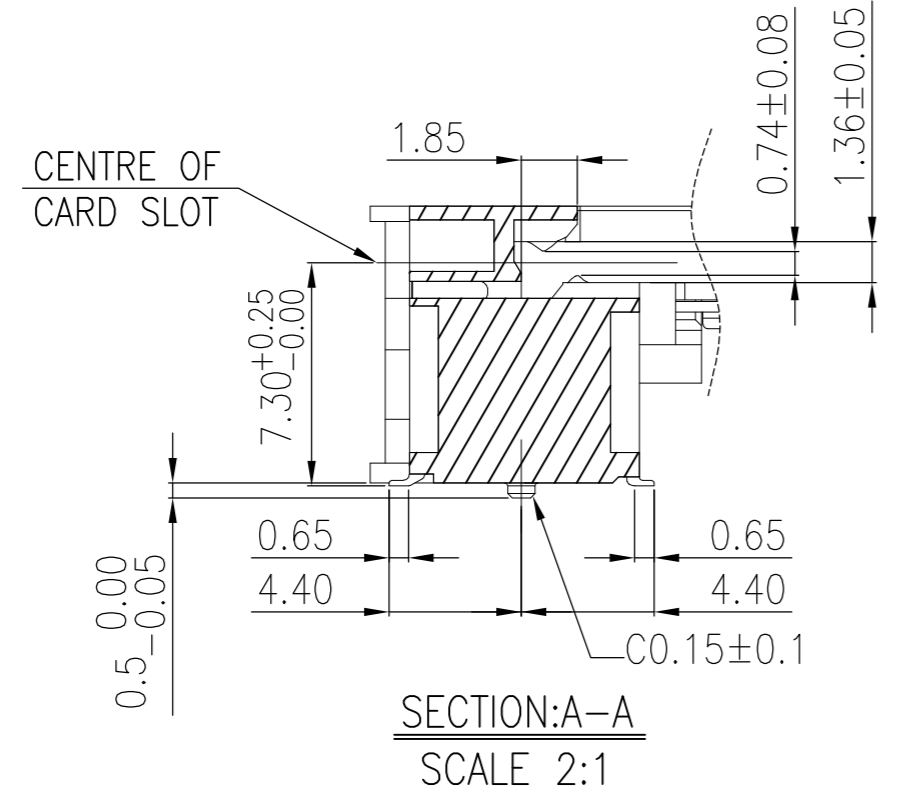
REVISIONS					
P	LTR	DESCRIPTION	DATE	DWN	APVD
3		REVISED	21FEB2017	D.Z	S.L



- NOTES:
- MATERIAL:
    - HOUSING: HIGH TEMPERATURE THERMO PLASTIC,UL94V-0,COLOR:BLACK.
    - CONTACT: COPPER ALLOY.
    - SOLDER PEG AND LATCH:STAINLESS STEEL.
  - FINISH:
    - SOLDER PEG: GOLD FLASH ON 50u" MIN NICKEL UNDERPLATED ALL OVER.
    - CONTACT SOLDER AREA: GOLD FLASH ON SOLDER TAIL.
    - CONTACT AREA: GOLD FLASH ON 50u" MIN NICKEL UNDERPLATED ALL OVER.
    - CONTACT AREA: 5u" ON 50u" MIN NICKEL UNDERPLATED ALL OVER.
    - CONTACT AREA: 10u" ON 50u" MIN NICKEL UNDERPLATED ALL OVER.
    - CONTACT AREA: 15u" ON 50u" MIN NICKEL UNDERPLATED ALL OVER.
    - CONTACT AREA: 30u" ON 50u" MIN NICKEL UNDERPLATED ALL OVER.
  - COPLANARITY: 0.10 MAX. (BEFORE SOLDERING)



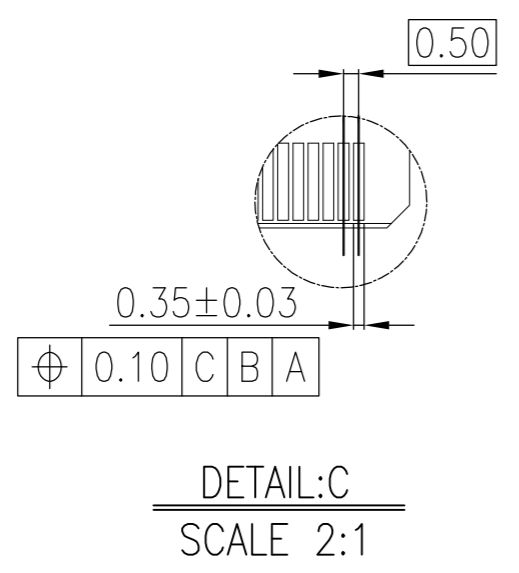
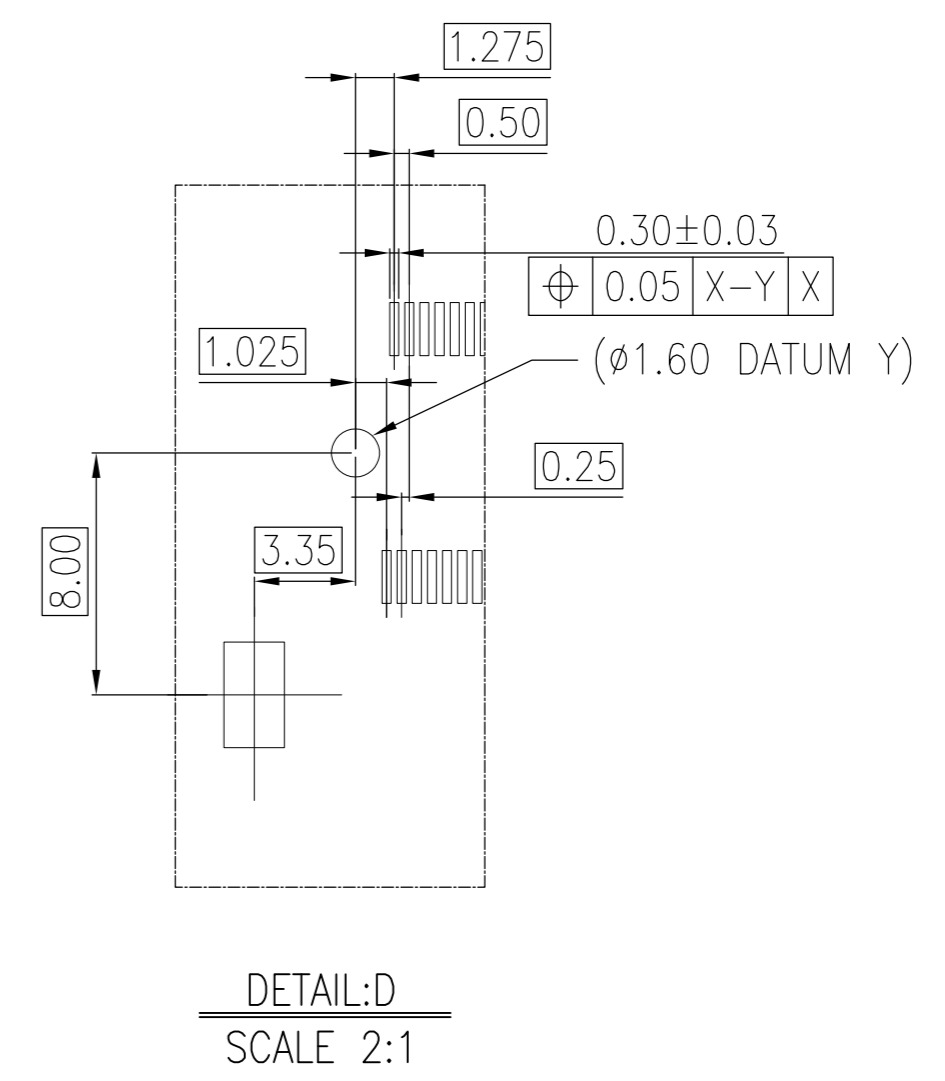
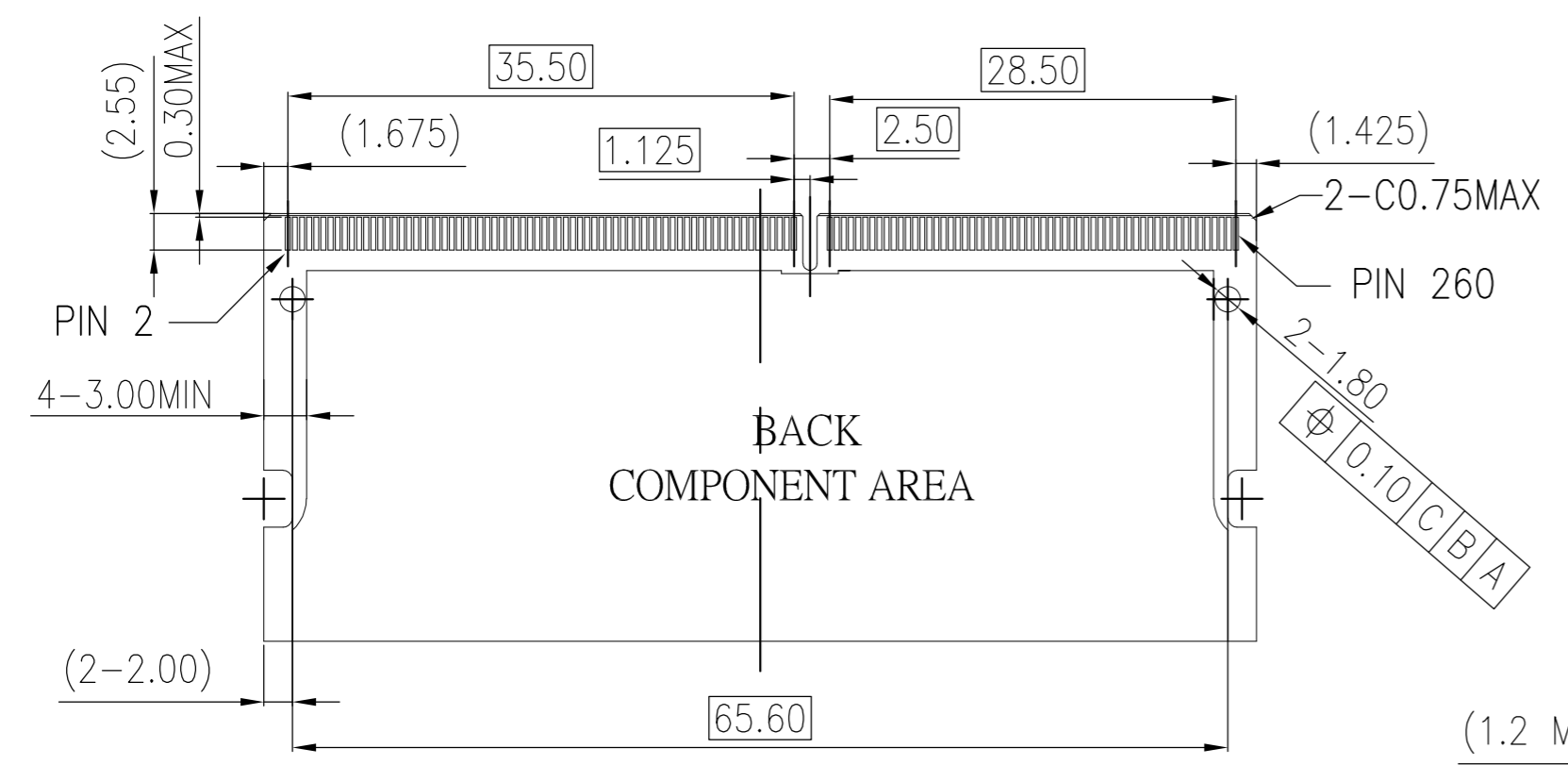
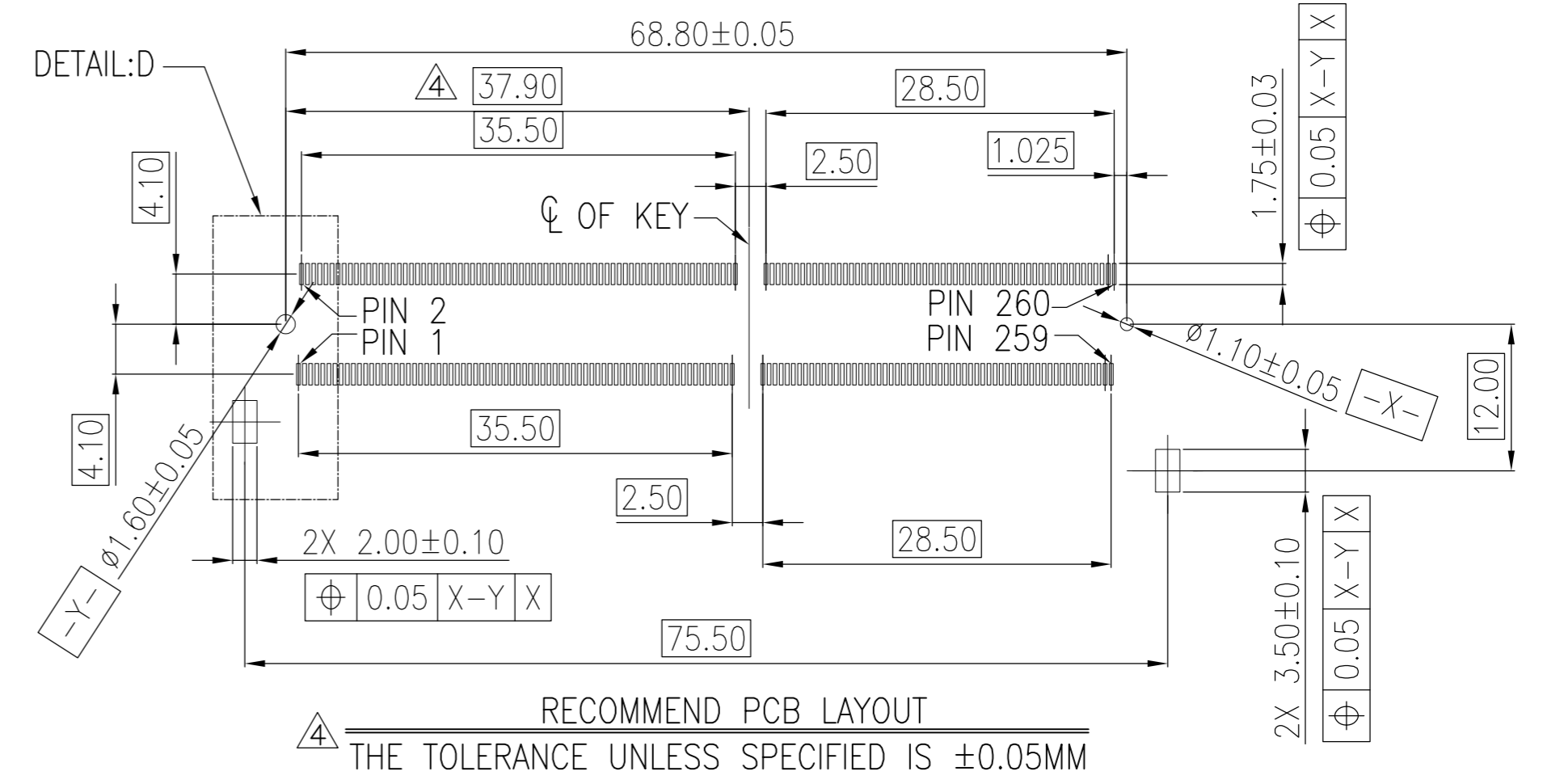
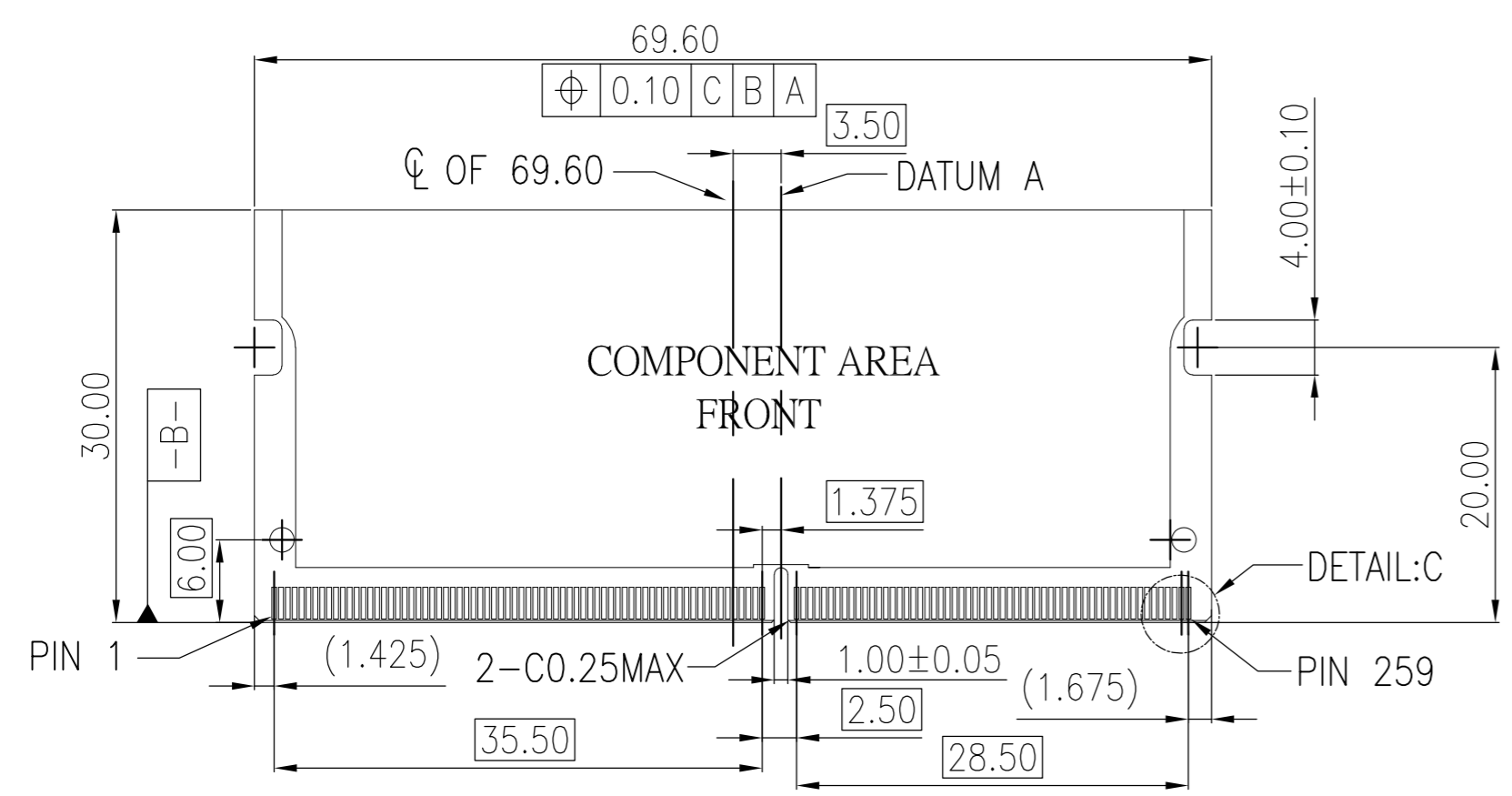
MATING: ① INSERTING(25°) → ② ROTATING → ③ FIXED  
 UNMATING: ④ UNFIXED → ⑤ ROTATING → ⑥ WITHDRAWING



TAPE&REEL	BLACK	1.2V	30u"	260	2309414-5
TAPE&REEL	BLACK	1.2V	15u"	260	2309414-4
TAPE&REEL	BLACK	1.2V	10u"	260	2309414-3
TAPE&REEL	BLACK	1.2V	5u"	260	2309414-2
TAPE&REEL	BLACK	1.2V	GF	260	2309414-1
PACKING TYPE	HOUSING COLOR	POWER SUPPLY	FINISH	POS	PART NO.

THIS DRAWING IS A CONTROLLED DOCUMENT.		DWN DAVID ZHAO 09SEP2016			
DIMENSIONS: mm		CHK RICHARD MA 09SEP2016			
TOLERANCES UNLESS OTHERWISE SPECIFIED:		APVD SIMON LI 09SEP2016	NAME		
0 PLC ± -		PRODUCT SPEC	DDR4 SODIMM SOCKET		
1 PLC ± 0.25		APPLICATION SPEC	0.5mm PITCH 260POS		
2 PLC ± 0.15			9.2mm HEIGHT REVERSE TYPE		
3 PLC ± 0.10			SIZE	CAGE CODE	DRAWING NO
4 PLC ± -			A2	00779	C=2309414
ANGLES ± -			RESTRICTED TO		
FINISH		WEIGHT	-		
		CUSTOMER DRAWING	SCALE	SHEET	REV
			1:1	1 of 3	3

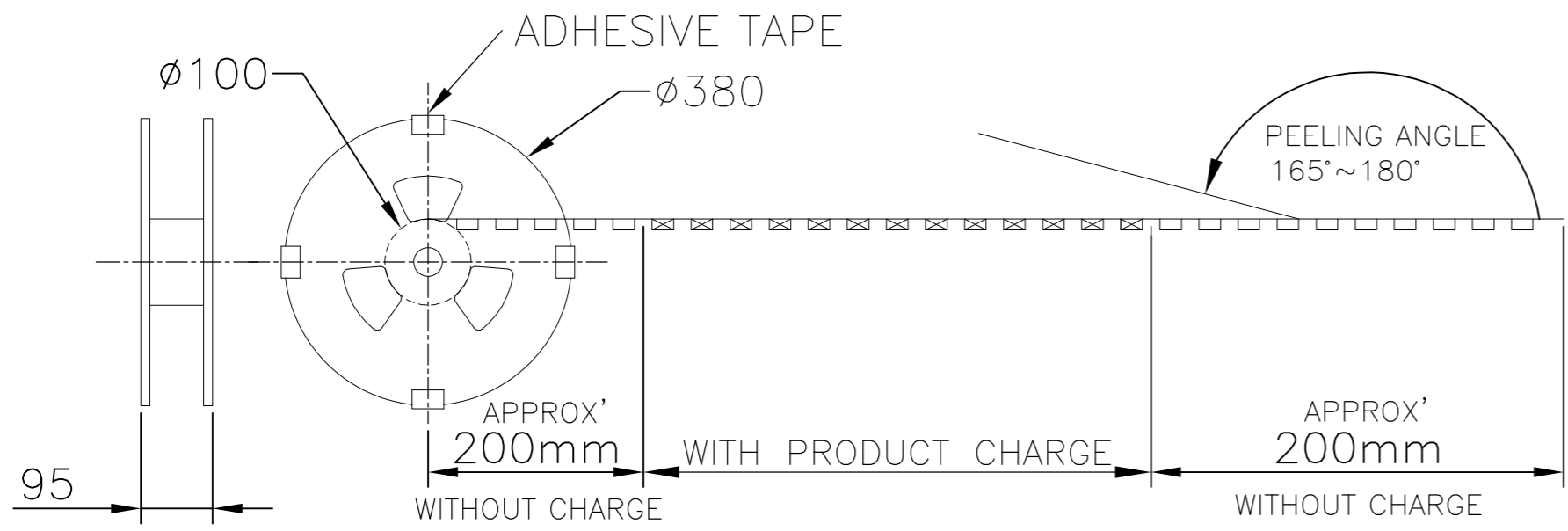
REVISIONS					
P	LTR	DESCRIPTION	DATE	DWN	APVD
-	-		-	-	-



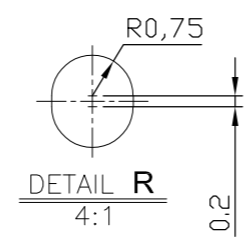
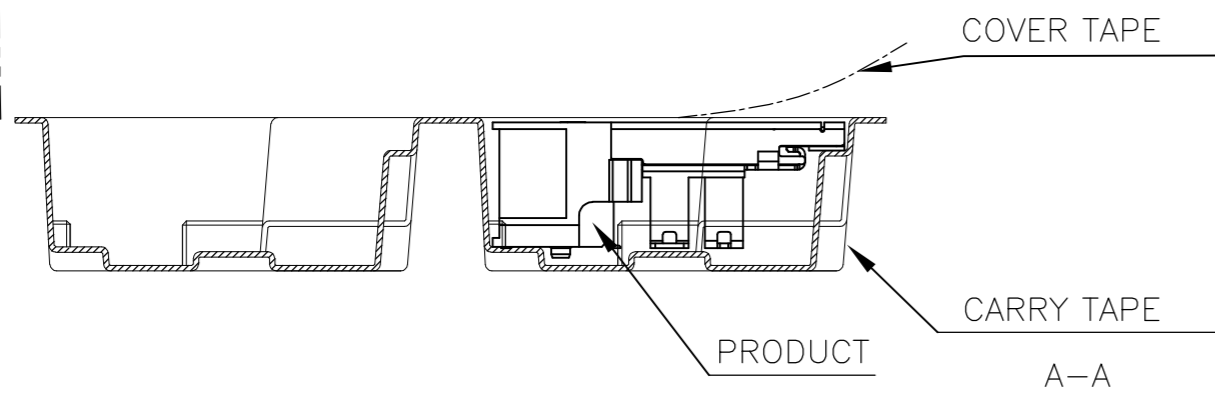
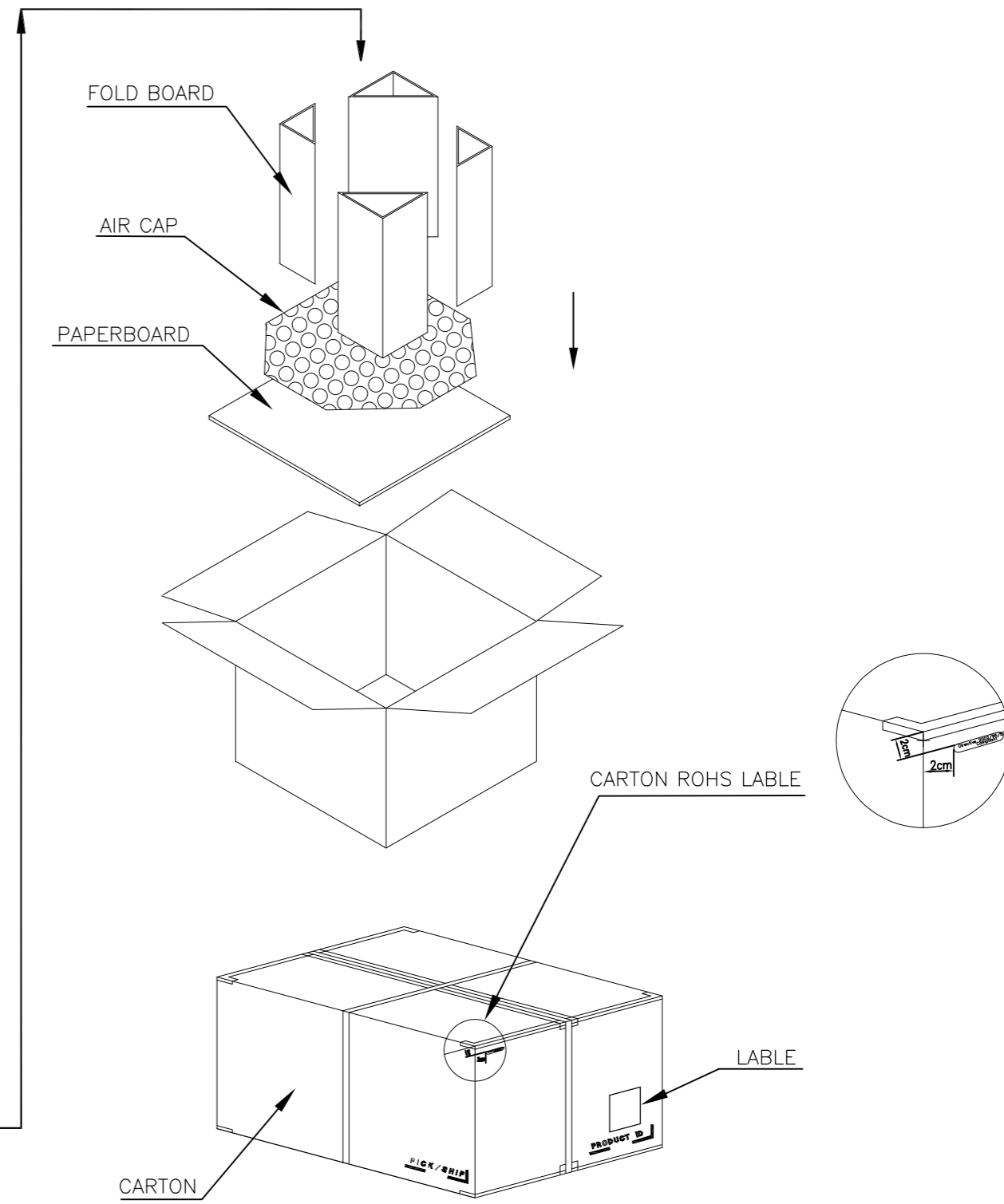
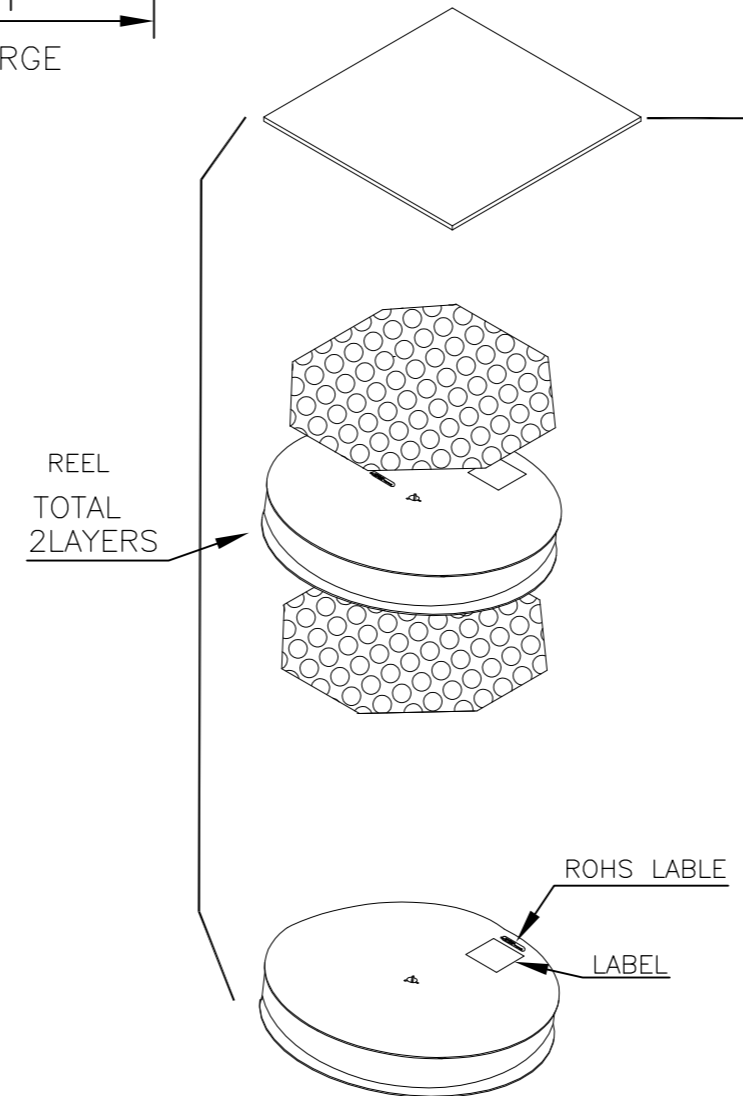
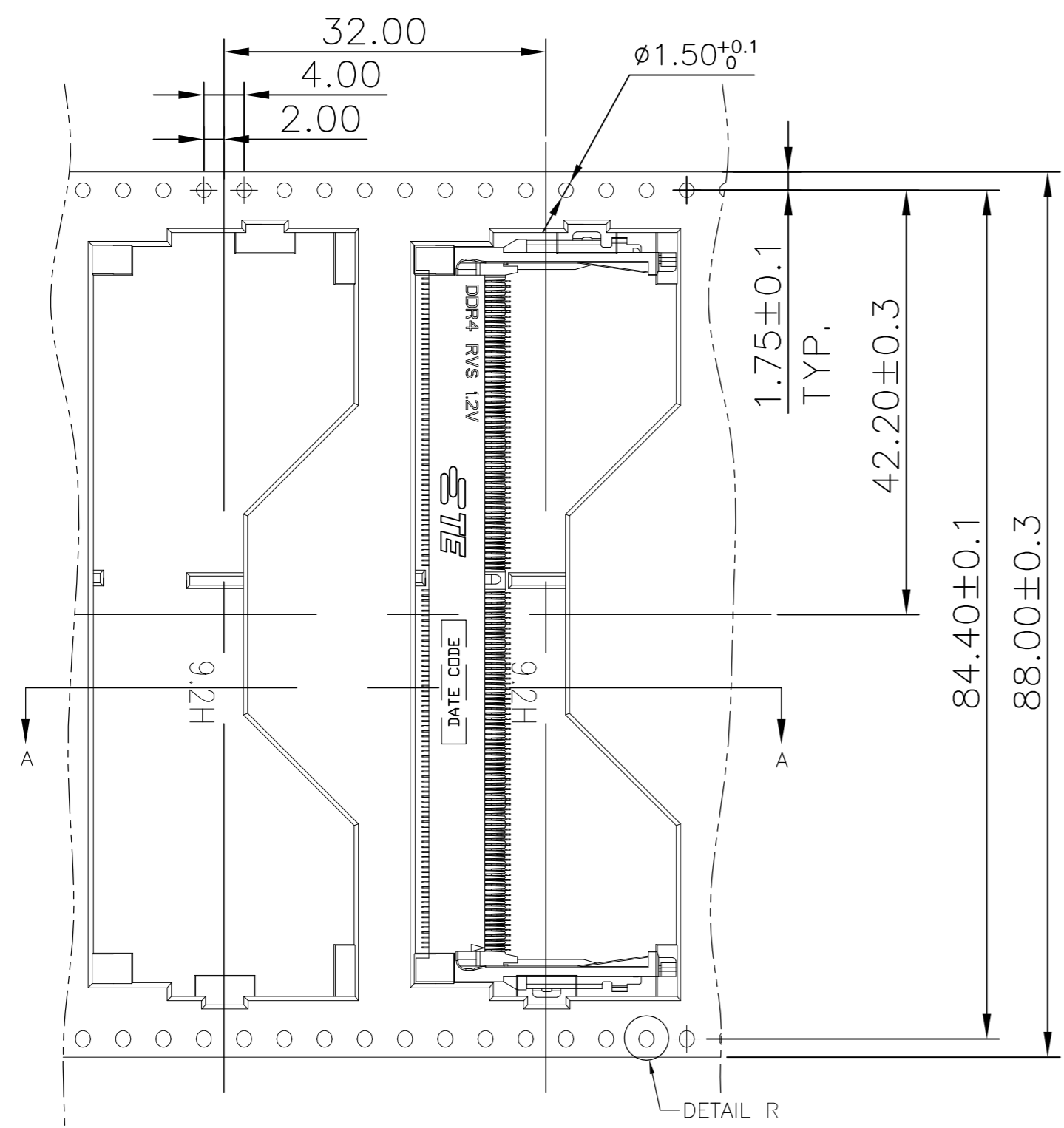
THIS DRAWING IS A CONTROLLED DOCUMENT.		DWN DAVID ZHAO 09SEP2016	 TE Connectivity
DIMENSIONS: mm		CHK RICHARD MA 09SEP2016	
TOLERANCES UNLESS OTHERWISE SPECIFIED		APVD SIMON LI 09SEP2016	
0 PLC ± 1 PLC ± 2 PLC ± 3 PLC ± 4 PLC ± ANGLES ± FINISH ±		NAME	
MATERIAL		PRODUCT SPEC	DDR4 SODIMM SOCKET 0.5mm PITCH 260POS 9.2mm HEIGHT REVERSE TYPE
WEIGHT		APPLICATION SPEC	SIZE A2 CAGE CODE 00779 DRAWING NO C=2309414 RESTRICTED TO
CUSTOMER DRAWING		SCALE 1:1 SHEET 2 OF 3 REV 3	

THIS DRAWING IS UNPUBLISHED. RELEASED FOR PUBLICATION  
 © COPYRIGHT 2016 By TE connectivity ALL RIGHTS RESERVED.

REVISIONS				
P	LTR	DESCRIPTION	DATE	APVD
-	-		-	-



PULL OUT DIRECTION →



250	2	500	*-2309414-*
PCS/REEL	REEL/CARTON	PCS/CARTON	PART NUMBER

THIS DRAWING IS A CONTROLLED DOCUMENT.		DWN DAVID ZHAO 09SEP2016		
DIMENSIONS: mm		CHK RICHARD MA 09SEP2016		
TOLERANCES UNLESS OTHERWISE SPECIFIED:		APVD SIMON LI 09SEP2016	NAME	
0 PLC	±	PRODUCT SPEC	DDR4 SODIMM SOCKET	
1 PLC	±	APPLICATION SPEC	0.5mm PITCH 260POS	
2 PLC	±	WEIGHT	9.2mm HEIGHT REVERSE TYPE	
3 PLC	±	CUSTOMER DRAWING	SIZE A2	CAGE CODE 00779
4 PLC	±	SCALE -	DRAWING NO. C=2309414	RESTRICTED TO
ANGLES	±	SHEET 3 OF 3	REV 3	