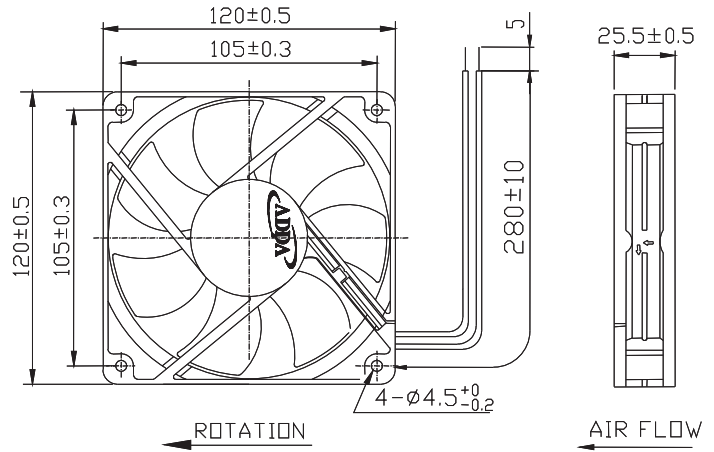




# AD12025 SERIES

## External Dimensions



Frame: Plastic(UL:94V-0)  
 Impeller: Plastic(UL:94V-0)  
 Bearing: Ball, Sleeve, Hydro bearing  
 Lead wire: UL1007AWG24  
 VOLTAGE AVAILABLE: 12V, 24V, 48V

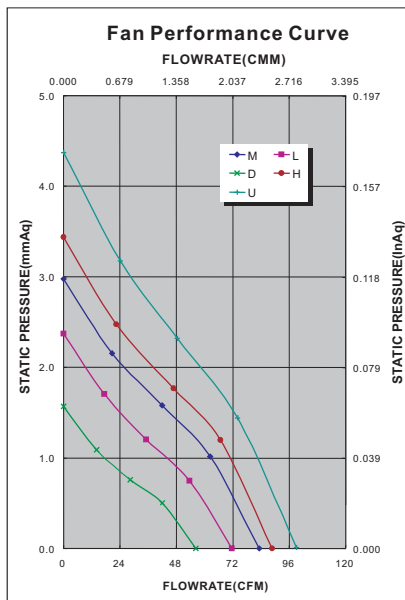
## Specifications(Nominal)

\*Noise is measured at the distance of one (1) meter from the axis of intake.

Bearing type: ⊙=Ball ⊛=Sleeve ○=1B1S ●=Hydro bearing

Frame size (mm)	Model No.	Bearing System Type	Rated Voltage (VDC)	Current (A)	Power (W)	Rated Speed (rpm)	Maximum AirFlow (CMM)	Maximum AirFlow (CFM)	Maximum Pressure (InAq)	Maximum Pressure (mmAq)	*Noise Level (dB/A)	Weight (g)
120x120x25	AD1212DB-A71GL	⊙ ⊛ ●	12	0.11	1.32	1500	1.593	56.30	0.062	1.57	27.2	156.0
	AD1212LB-A71GL	⊙ ⊛ ●	12	0.15	1.80	1800	2.037	72.00	0.095	2.41	34.4	
	AD1212MB-A71GL	⊙ ⊛ ●	12	0.16	1.92	2050	2.278	80.50	0.117	2.97	38.0	
	AD1212HB-A71GL	⊙ ⊛ ●	12	0.23	3.48	2200	2.411	85.20	0.136	3.45	39.1	
	AD1212UB-A71GL	⊙ ⊛ ●	12	0.39	4.68	2500	2.792	98.60	0.179	4.54	43.3	
	AD1224DB-A71GL	⊙ ⊛ ●	24	0.07	1.68	1500	1.593	56.30	0.062	1.57	27.2	
	AD1224LB-A71GL	⊙ ⊛ ●	24	0.10	2.40	1800	2.037	72.00	0.095	2.41	34.4	
	AD1224MB-A71GL	⊙ ⊛ ●	24	0.13	3.12	2050	2.278	80.50	0.117	2.97	38.0	
	AD1224HB-A71GL	⊙ ⊛ ●	24	0.13	3.12	2200	2.411	85.20	0.136	3.45	39.8	
	AD1224UB-A71GL	⊙ ⊛ ●	24	0.19	4.56	2500	2.792	98.60	0.175	4.33	43.3	
	AD1248HB-A71GL	⊙ ⊛ ●	48	0.10	4.80	2200	2.411	85.20	0.136	3.45	39.8	
	AD1248UB-A71GL	⊙ ⊛ ●	48	0.12	5.76	2500	2.792	98.60	0.175	4.33	43.3	

Specifications subject to change without notice.



\*Motor protective circuit and third lead wire functions

0	1	2	3	4	6	7	8	9	A	B
✓	✓	✓	✓	✓	✓		✓	✓		✓

\*Safety approvals

✓	✓		✓	✓