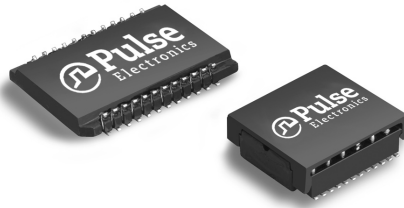


1000Base-T, Single Port Mini-Magnetics Modules

Designed to Support 1:1 Turns Ratio Transceivers



- RoHS-6 peak reflow temperature rating 245°C
- Small footprint saves board space
- Compliant with IEEE 802.3ab standard for 1000BASE-T

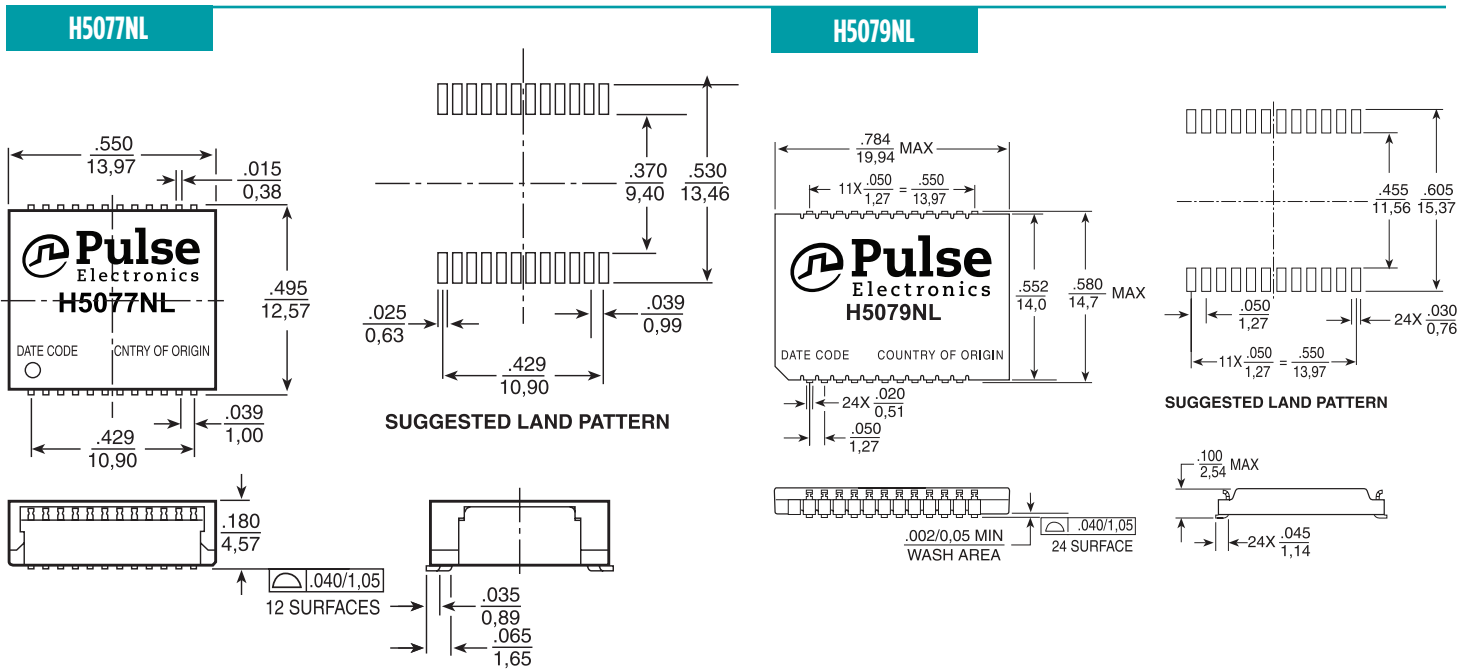
Electrical Specifications @ 25°C - Operating Temperature 0°C to 70°C

Part Number ¹	Insertion Loss (dB MAX)	Return Loss (dB MIN @ 100 W)					Differential to Common Mode Rejection (dB MIN)			Crosstalk (dB MIN)			Hipot (Vrms MIN)
		1-100 MHz	1-30 MHz	40-50 MHz	60-80 MHz	100 MHz	30 MHz	60 MHz	100 MHz	30 MHz	60 MHz	100 MHz	
H5077NL ²	1	-18	-16	-12	-10	-43	-37	-33	-45	-40	-35	1500	
H5079NL ²	1	-18	-16	-12	-10	-43	-37	-33	-45	-40	-35	1500	

Notes:

- Add "T" to the end of the part number for tape-and-reel option, e.g. H5077NL becomes H5077NLT.
- MSL = Moisture Sensitivity Level = 1
- RoHS-6: Product does not contain 5 out of the 6 banned substances specified in the RoHS directive. Some internal connections may contain lead in high-temperature solder (solder alloys containing more than 85% lead).

Mechanicals



Weight1.2 grams
 Tape & Reel400
 Tube30

Dimensions: $\frac{\text{Inches}}{\text{mm}}$ Unless otherwise specified, all tolerances are $\pm \frac{.010}{0,25}$

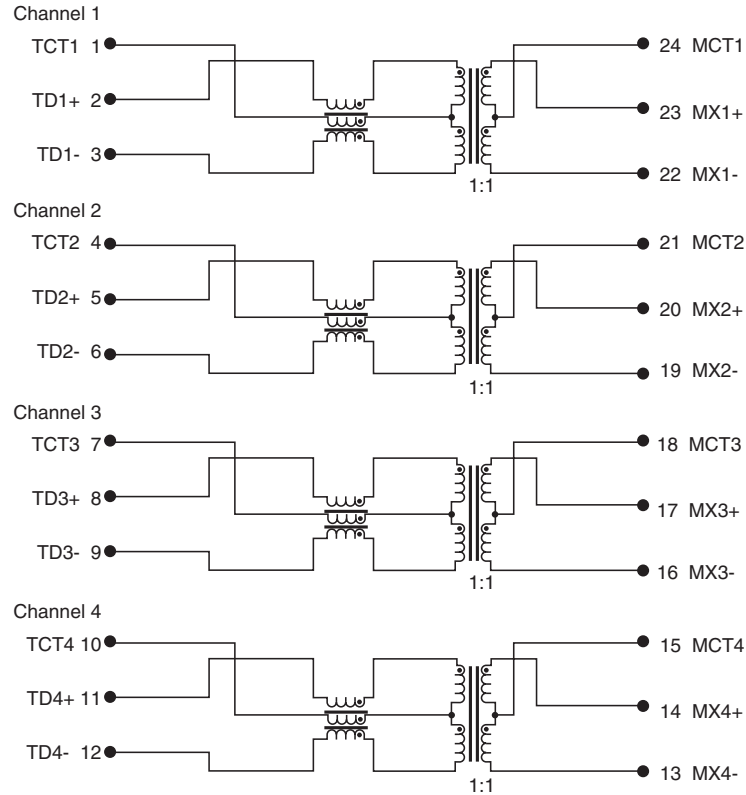
Weight1.2 grams
 Tape & Reel400
 Tube30

1000Base-T, Single Port Mini-Magnetics Modules

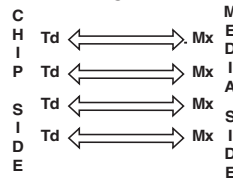
Designed to Support 1:1 Turns Ratio Transceivers

Schematic

H5077NL, H5079NL



LEGEND



For More Information:

Americas - prodinfonetworkamericas@pulseelectronics.com | Europe - comms-Apps-Europe@pulseelectronics.com | Asia - prodinfonetworkapac@pulseelectronics.com

Performance warranty of products offered on this data sheet is limited to the parameters specified. Data is subject to change without notice. Other brand and product names mentioned herein may be trademarks or registered trademarks of their respective owners. © Copyright, 2019. Pulse Electronics, Inc. All rights reserved.

Mouser Electronics

Authorized Distributor

Click to View Pricing, Inventory, Delivery & Lifecycle Information:

Pulse:

[H5077NL](#) [H5079NL](#) [H5079NLT](#) [H5077NLT](#)