

# IZ series

Rear mounted sealed pushbutton switches •  
bushing Ø 16 mm • momentary



## DISTINCTIVE FEATURES

- Rear mounting for easier installation
- Momentary models
- Screw version available up to 4 A
- Sealed to IP67
- Illuminated or non-illuminated



## ENVIRONMENTAL SPECIFICATIONS

- Front panel sealing : IP67 according to IEC 60529
- Shock resistance : 100 g according to IEC 512-4, test 6c
- Vibration resistance : 10-500Hz - 10 g according to IEC 512-4, test 6d
- Salt spray : IEC 512-6, test 11f
- Operating temperature : -40 °C to +85 °C (-40 °F to +185 °F)



## ELECTRICAL SPECIFICATIONS

- Max. current/voltage rating with resistive load :
  - Gold plated silver contacts (code 4) : 200 mA 48 VDC
  - Silver contacts (code 2) - screw terminals : 4 A 48 VDC
- Electrical life at full load : 500,000 cycles
- Initial contact resistance : 100 mΩ max.
- Insulation resistance : 1 GΩ min. at 500 VDC
- Dielectric strength : 1,000 Vrms 50 Hz



### LED COMPONENT SPECIFICATIONS

LED color	Forward current	Typ. forward voltage	Max. forward voltage
Super red (LOS)	20 mA	2.1 V	2.3 V
Yellow (LOY)	20 mA	2.1 V	2.3 V
Green (LOG)	20 mA	2.1 V	2.3 V
Blue (LOB)	20 mA	3.2 V	3.8 V
White (LOW)	20 mA	3.35 V	4.25 V
Red/green (LSG)	20 mA	Red: 1.95 V / green: 2.1 V	2.5 V
Yellow/green (LYG)	20 mA	Yellow: 2 V / green: 2.1 V	2.5 V

A resistor must be series-connected by the user.  
Resistor value =  $\frac{\text{supply voltage} - \text{LED forward voltage}}{\text{LED forward current}}$

On flying lead versions, the LED resistor can be integrated by APEM on request.

The company reserves the right to change specifications without notice.

# IZ series

Rear mounted sealed pushbutton switches •  
bushing Ø 16 mm • momentary

## GENERAL SPECIFICATIONS

- Panel thickness : 3 mm (.118) max.
- Total travel : 1.8 mm (.070) ± 0.3 mm
- Typical operating force : 6 N ± 2 N
- Low level or mechanical life : 1,000,000 cycles
- Torque : 0.7 Nm max. applied to nut
- Soldering : 320 °C (662 °F) max. for 3 sec.

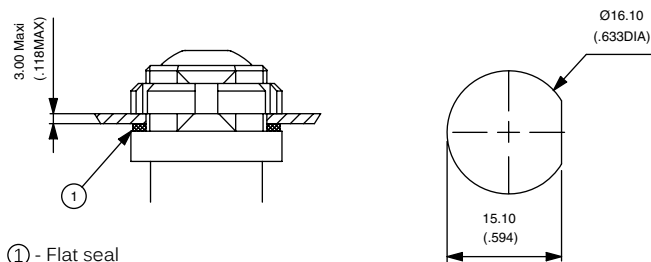
## MATERIALS

- Case : thermoplastic UL94-V0
- Plunger : polyamide
- Bushing/bezel : polyamide
- Contacts :  
4 : silver, gold plated  
2 : silver (screw terminals)
- Multi-wire leads AWG20, section 0.6 mm<sup>2</sup>
- LED wire : AWG26, section 0.12 mm<sup>2</sup>
- Lens : polycarbonate
- Terminal seal : epoxy (except screw terminals)

APEM products may be recycled at end-of-life for the re-claiming of valuable metal components.

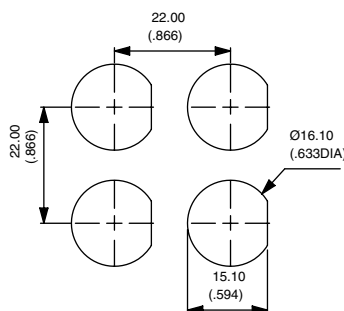
## MOUNTING

### PANEL CUT-OUT



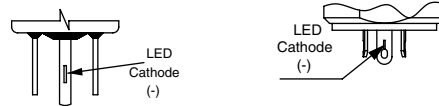
① - Flat seal

### MATRIX MOUNTING

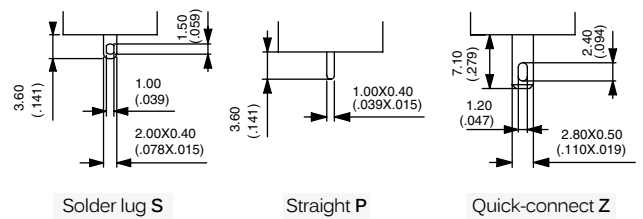


## TERMINALS

### ILLUMINATED

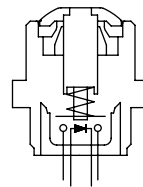


### NON-ILLUMINATED



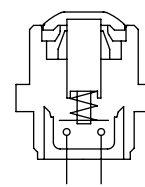
## ELECTRICAL FUNCTIONS

### ILLUMINATED MODELS



Function 3 (NO)

### NON-ILLUMINATED MODELS

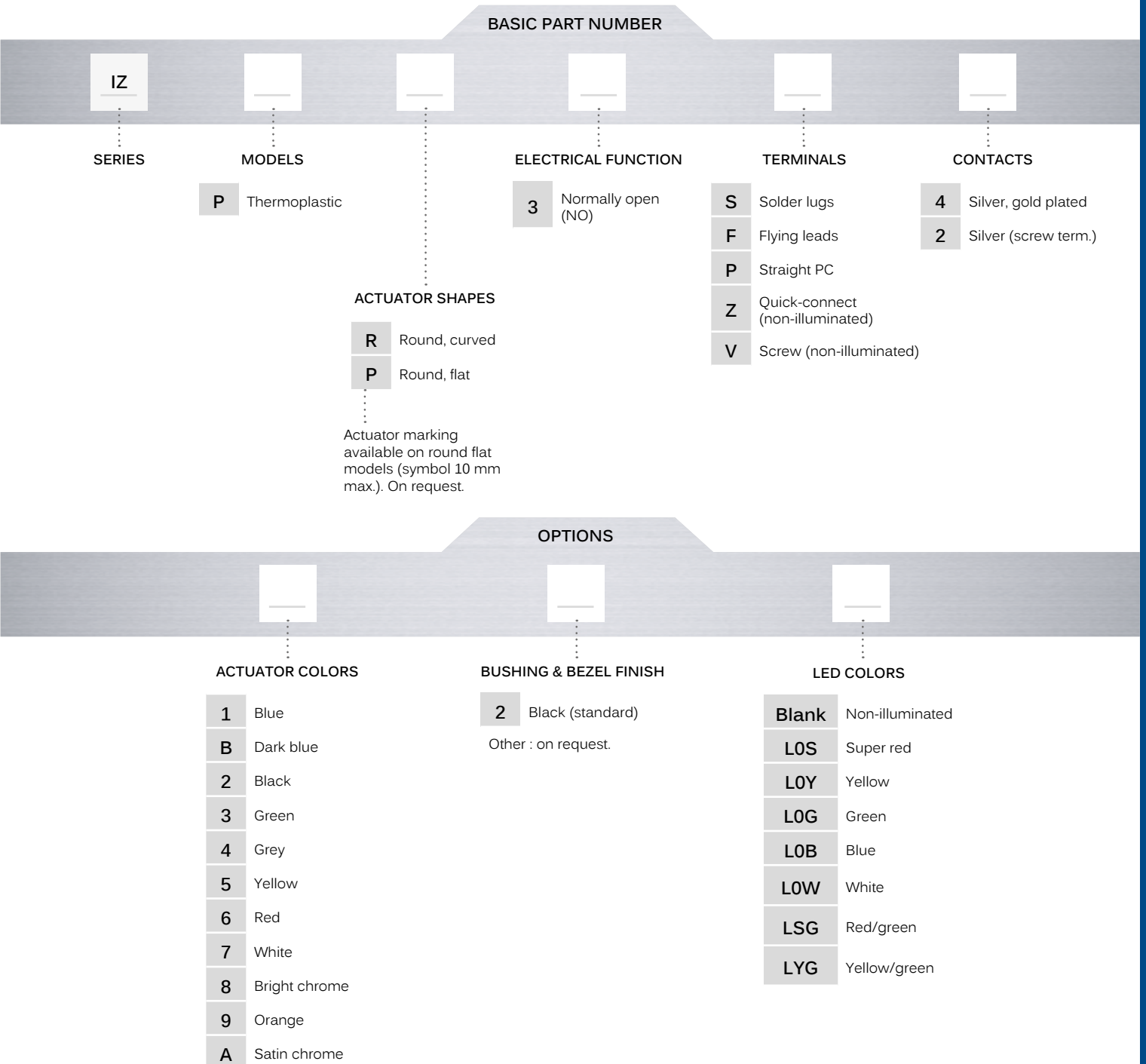


Function 3 (NO)

Rear mounted sealed pushbutton switches •  
bushing Ø 16 mm • momentary



## BUILD YOUR PART NUMBER



## ABOUT THIS SERIES

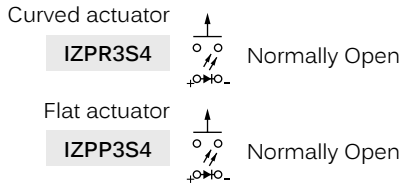
On the following pages, you will find successively basic part numbers of switches and options in the same order as in above chart.

- Notice** : please note that not all combinations of above numbers are available. Refer to the following pages for further information.
- A sealing boot** is available to protect the switches against frost and sand. See "Sealing Boots" section of website.
- Mounting accessories** : Standard hardware supplied : 1 castellated black plastic nut U4249 and 1 silicone flat seal. Wrench tool available under P/N U4028. Order separately.

# IZ series

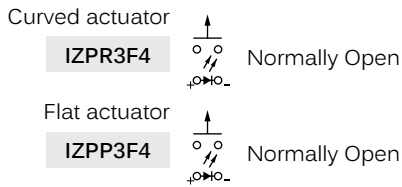
Rear mounted sealed pushbutton switches •  
bushing Ø 16 mm • momentary

## ILLUMINATED - SOLDER LUG TERMINALS



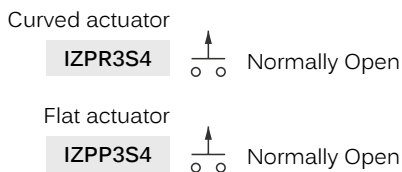
Also available with straight PC terminals : **IZP•3P4**.  
LED color is indicated by the bottom of the switch.

## ILLUMINATED - FLYING LEAD TERMINALS



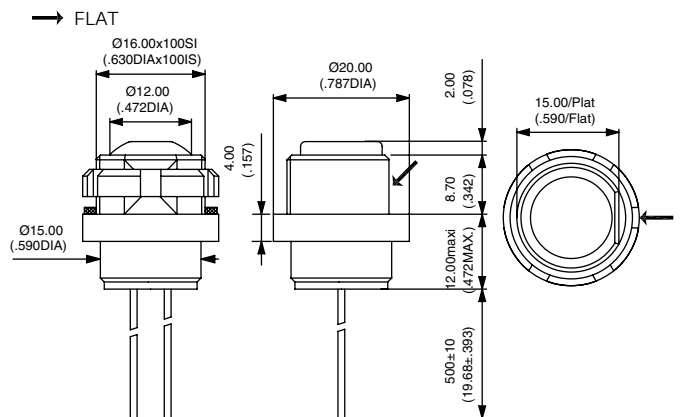
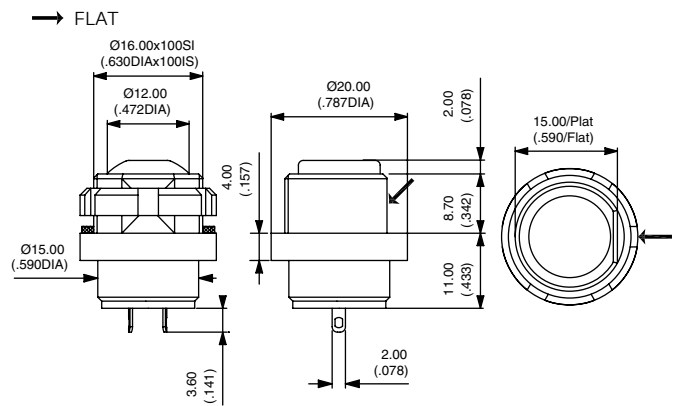
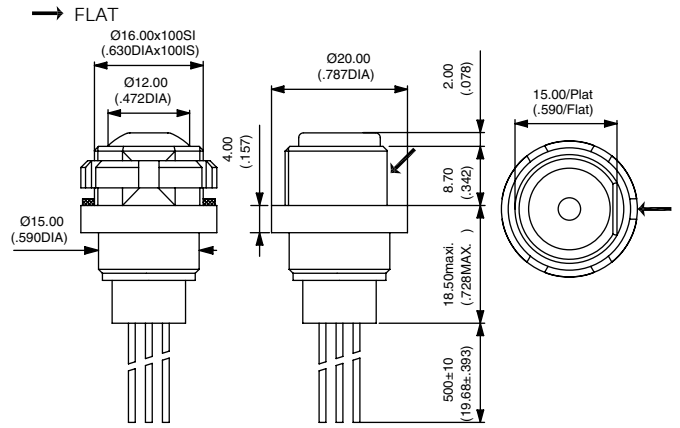
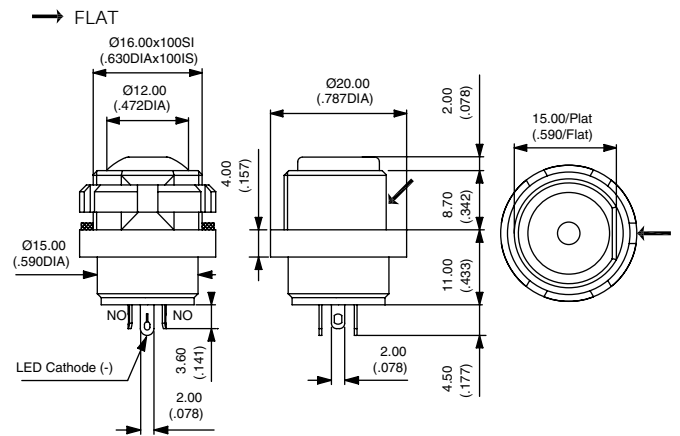
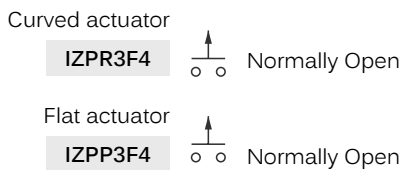
Wire colors : black : NO contact, red : LED anode(+), blue : LED cathode (-)

## NON-ILLUMINATED - SOLDER LUG TERMINALS



Also available with straight PC terminals : **IZP•3P4**  
and quick-connect terminals : **IZP•3Z4**.

## NON-ILLUMINATED - FLYING LEAD TERMINALS



# IZ series

Rear mounted sealed pushbutton switches •  
bushing Ø 16 mm • momentary

## NON-ILLUMINATED - SCREW TERMINALS SILVER CONTACTS



Curved actuator

IZPR3V2



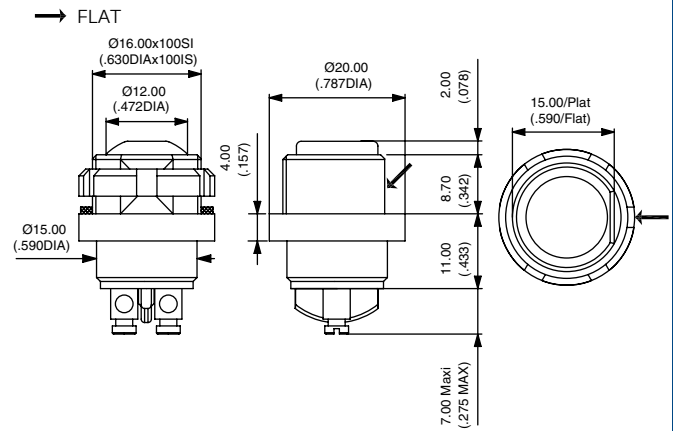
Normally Open

Flat actuator

IZPP3V2



Normally Open



### ACTUATOR COLORS



- 1 Blue
- B Dark blue
- 2 Black
- 3 Green
- 4 Grey
- 5 Yellow
- 6 Red
- 7 White
- 8 Bright chrome
- 9 Orange
- A Satin chrome

### BUSHING AND BEZEL



- 2 Black (standard)
- Other : on request.

### LED COLORS



- Blank Non-illuminated
- LOS Super Red
- LOY Yellow
- LOG Green
- LOB Blue
- LOW White
- LSG Red/green
- LYG Yellow/green

# Mouser Electronics

Authorized Distributor

Click to View Pricing, Inventory, Delivery & Lifecycle Information:

[Apem:](#)

[IZPP3S432L0G](#) [IZPR1S462L0S](#)