

1 2 3 4 5 6

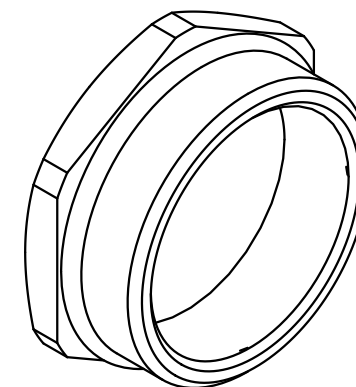
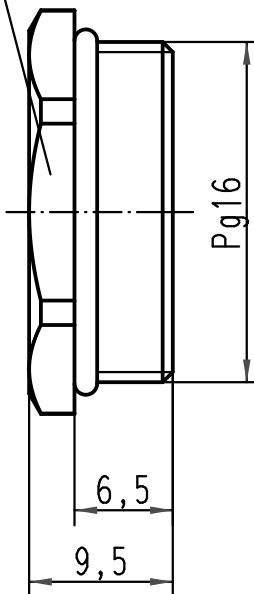
A

B

C

D

SW24



All Dimensions in mm Original Size DIN A 4			Techn. Character.			Nicht tolerierte Maße/ Free size tolerances		
				Dat.	Name	Maßstab/ Scale 2:1	Blindstopfen/ blanking piece	
			Detail.	11.12.98	Kö			
			Insp.		SDT			
413153	27.08.07	Bor	Stand.					
410278	01.12.02	DY	HARTING Electric GmbH & Co. KG				TB 09 00 000 5072	
24869			D-32339 Espelkamp					
Mod.	Dat.	Name						
						Sub. TB 09 00 000 507. v. 2.02.93		Blatt/ page

Mouser Electronics

Authorized Distributor

Click to View Pricing, Inventory, Delivery & Lifecycle Information:

[HARTING:](#)

[09000005072](#)