

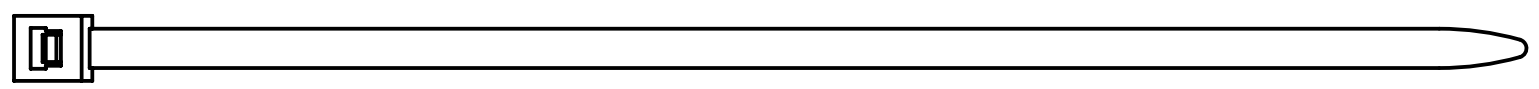
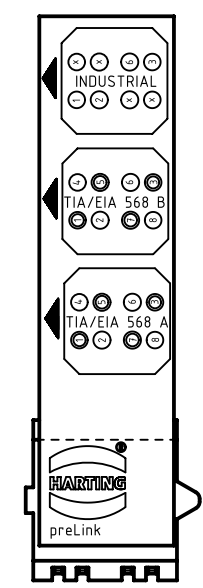
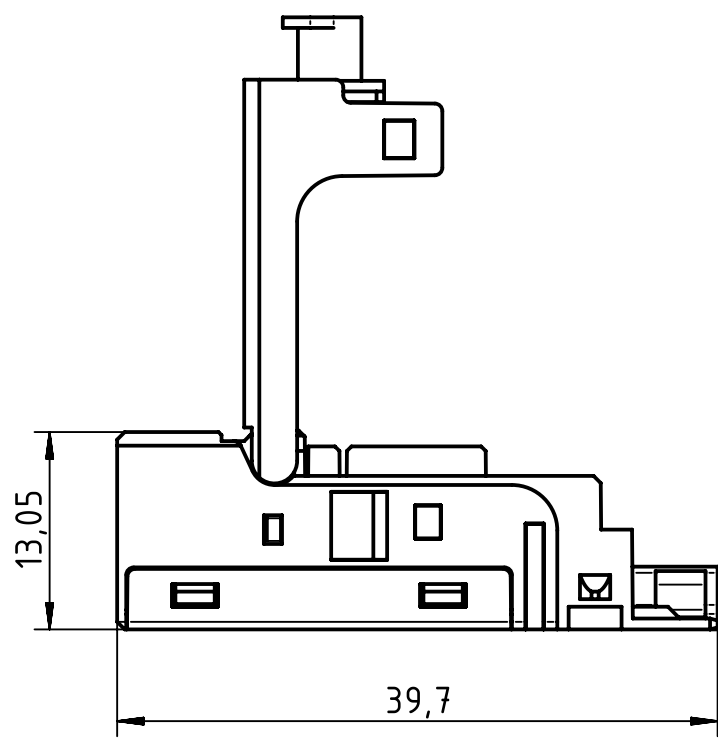
1 2 3 4 5 6

A

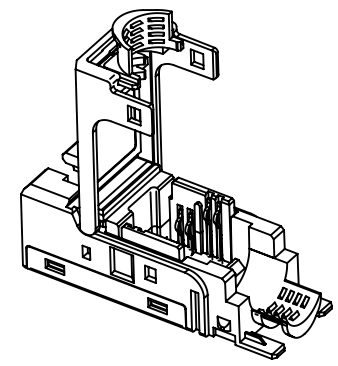
B

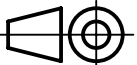

C

D



for wire gauge AWG 22-23



 All Dimensions in mm Original Size DIN A4	Scale 2:1		Free size tol.		Ref.	
					Sub.	
 All rights reserved Department EL PD - DE	Created by MOELLERLI	Inspected by FERDERERA	Standardisation TIEMANNA	Date 2014-04-01	State Final Release	
	Title Han-Mod RJ45 PreLink Set 8P AWG 22-23				Doc-Key / ECM-Nr. 100562719/UGD/001/B 500000073001	
HARTING Electric GmbH & Co. KG D-32339 Espelkamp		Type TB	Number 09 14 008 4720		Rev. B	Page 1/1

Mouser Electronics

Authorized Distributor

Click to View Pricing, Inventory, Delivery & Lifecycle Information:

[HARTING:](#)

[09140084720](#)