

1 2 3 4 5 6

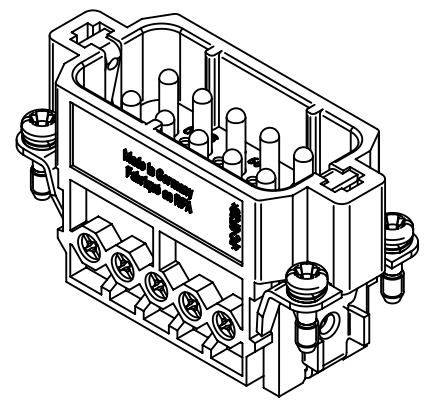
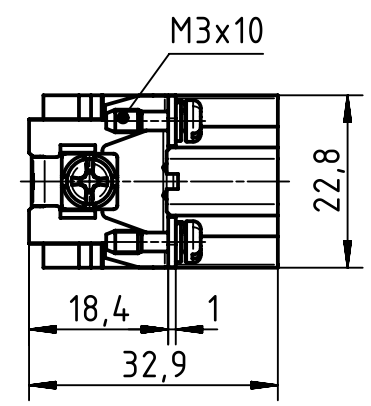
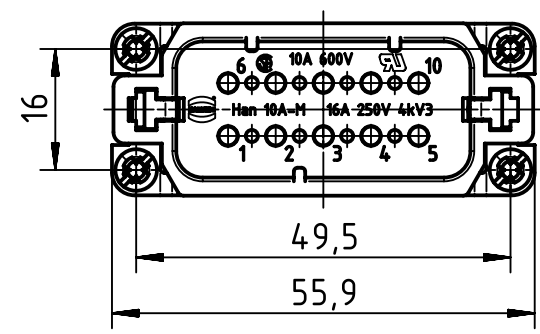
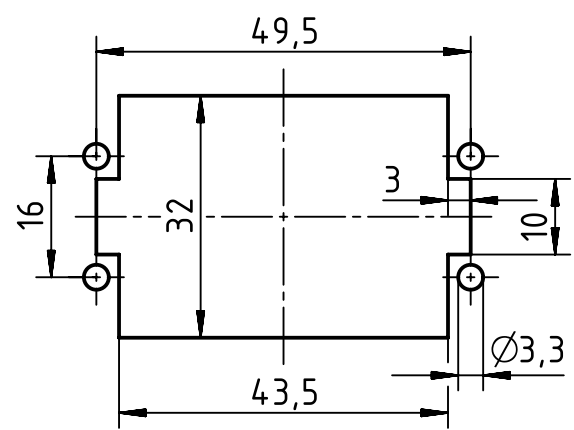
A


B

C

D

panel cut out



	All rights reserved Department EL PD - DE	Created by SPRENB		Inspected by BERGHORN		Standardisation TIEMANNA		Date 2015-09-18		State Final Release	
		Title Han A 10 Pos. M Insert Screw								Doc-Key / ECM-Nr. 100087389/UGD/005/B 500000091602	
HARTING Electric GmbH & Co. KG D-32339 Espelkamp		Type TB		Number 09 20 010 2612				Rev. B		Page 1/1	

Mouser Electronics

Authorized Distributor

Click to View Pricing, Inventory, Delivery & Lifecycle Information:

[HARTING:](#)

[09200102612](#)