



ALL RIGHTS RESERVED. NO PORTION OF THIS PUBLICATION, WHETHER IN WHOLE OR IN PART CAN BE REPRODUCED WITHOUT THE EXPRESS WRITTEN CONSENT OF SPC TECHNOLOGY.

SPC-F005.DWG

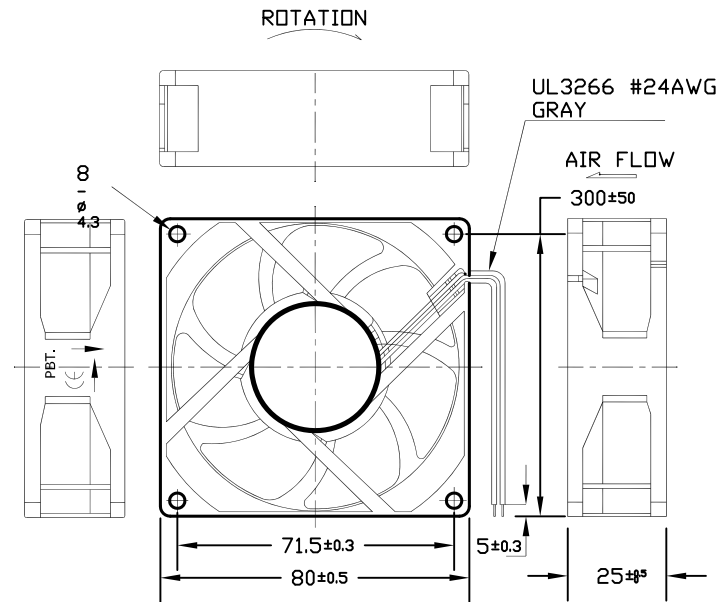
REVISIONS

DOC. NO. SPC-F005 * Effective: 7/8/02 * DCP No: 1398

DCP #	REV	DESCRIPTION	DRAWN	DATE	CHECKD	DATE	APPRVD	DATE
XX	XX	XXXX	XXXX	12-08-08	XXXX	12-08-08	XXXX	12-08-08
2067	B	Listing Info Updated	JN	08-14-09	JN	08-14-09	JN	08-14-09

MATERIAL

- 2-1. Frame : Thermoplastic PBT of UL 94V-0
- 2-2. Impeller : Thermoplastic PBT of UL 94V-0
- 2-3. Lead Wire : UL3266, 24awg, GRAY



- 1. Air Flow Direction: Toward label side.
- 2. Best Mounting Direction: Any orientation.

Units:mm



DISCLAIMER:
ALL STATEMENTS AND TECHNICAL INFORMATION CONTAINED HEREIN ARE BASED UPON INFORMATION AND/OR TESTS WE BELIEVE TO BE ACCURATE AND RELIABLE. SINCE CONDITIONS OF USE ARE BEYOND OUR CONTROL, THE USER SHALL DETERMINE THE SUITABILITY OF THE PRODUCT FOR THE INTENDED USE AND ASSUME ALL RISK AND LIABILITY WHATSOEVER IN CONNECTION THEREWITH.

TOLERANCES:
UNLESS OTHERWISE SPECIFIED, DIMENSIONS ARE FOR REFERENCE PURPOSES ONLY.

DRAWN BY:	DATE:
XXXX	12-08-08
CHECKED BY:	DATE:
XXXX	12-08-08
APPROVED BY:	DATE:
XXXX	12-08-08

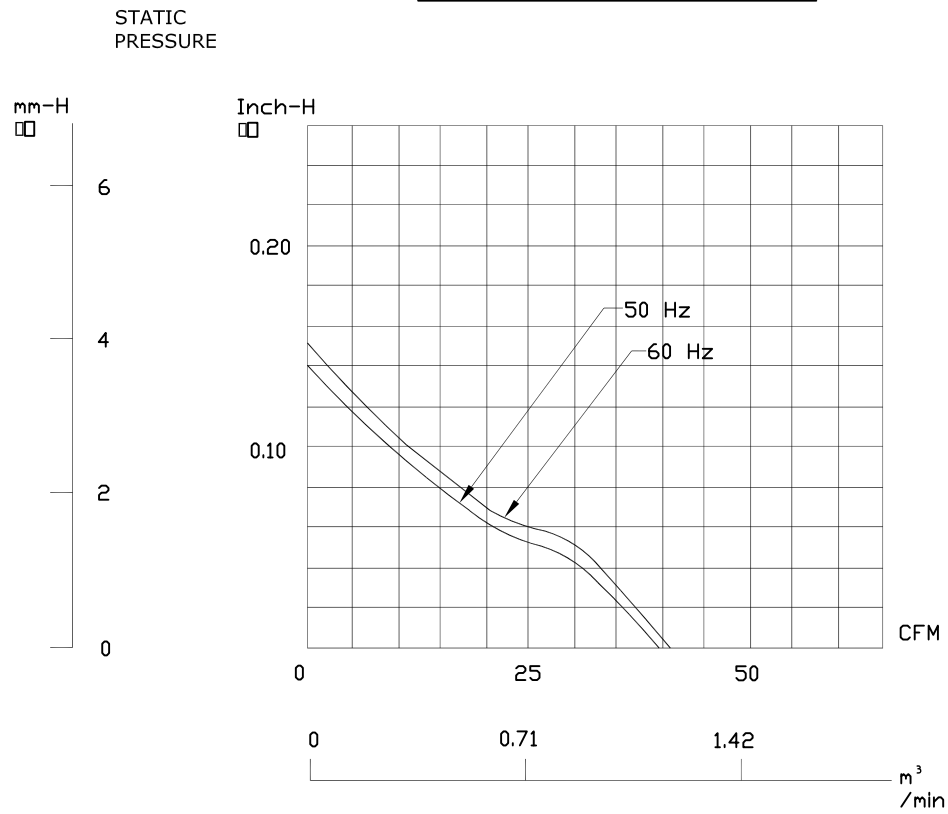
DRAWING TITLE:			
Axial Ac Fan			
SIZE	DWG. NO.	ELECTRONIC FILE	REV
A	MC21680	14M9036	XX
SCALE: NTS	U.O.M.: INCHES [mm]	SHEET: 1 OF 4	

CHARACTERISTICS

1. Motor Design : DC brushless 4 pole motor design.
2. Insulation Resistance : 10 Megohms minimum at 500 VDC.
3. Dielectric Strength : 1500 VAC for one second.
4. Motor Protection : Impedance protected.
5. Noise Level : Measured in a semi-anechoic chamber with background noise level below 15 dB(A). The fan is running in free air with the microphone at a distance of one meter from the fan intake.
6. Tolerance : $\pm 15\%$ on rated power and current.
7. Air Performance : Measured by a double chamber. The values are recorded when the fan speed has stabilized at rated voltage.



PERFORMANCE CURVES



ALL RIGHTS RESERVED. NO PORTION OF THIS PUBLICATION, WHETHER IN WHOLE OR IN PART CAN BE REPRODUCED WITHOUT THE EXPRESS WRITTEN CONSENT OF SPC TECHNOLOGY.

SIZE	DWG. NO.	ELECTRONIC FILE	REV
A	MC21680	14M9036	
SCALE: NTS	U.O.M.: Millimeters	SHEET: 3 OF 4	

SPECIFICATIONS

1-1. Rated Voltage	:	115 VDC 50 Hz	115 VAC 60 Hz
1-2. Operating Voltage Range	:	75~125 VAC	
1-3. Starting Voltage	:	75 VAC (25 deg.C POWER ON/OFF)	
1-4. Rated Speed	:	3200 RPM \pm 20%	3300 RPM \pm 20%
1-5. Air Delivery	:	40 CFM	41 CFM
1-6. Static Pressure	:	0.14 Inch-H ₂ O	0.15 Inch-H ₂ O
1-7. Rated Current	:	185 mA (RMS) 112 mA (TRUE RMS)	180 mA (RMS) 116 mA (TRUE RMS)
1-8. Input Power	:	3.6 WATTS	3.6 WATTS
1-9. Noise Level	:	32 dB(A)	33 dB(A)
1-10. Direction of Rotation	:	Counter-clockwise viewed from front of fan blade	
1-11. Operating Temperature	:	-10 to +70 deg.C	
1-12. Storage Temperature	:	-40 to +70 deg.C	
1-13. Bearing System	:	Vapo bearing system	
1-14. Weight	:	102.2g	
1-15. Safety	:	UL/CUR Approvals	
1-16. Vibration	:	Vibration of acceleration 1.5G and frequency 5~50~5Hz is applied in all 3 directions(X,Y,Z), in cycles of 1 minute each, for a total vibration time of 30 minutes.	



ALL RIGHTS RESERVED. NO PORTION OF THIS PUBLICATION, WHETHER IN WHOLE OR IN PART CAN BE REPRODUCED WITHOUT THE EXPRESS WRITTEN CONSENT OF SPC TECHNOLOGY.

	SIZE	DWG. NO.	ELECTRONIC FILE	REV
	A	MC21680	14M9036	
SPC-F005.DWG	DOC. NO. SPC-F005 * Effective: 7/8/02 * DCP No: 1398	SCALE: NTS	U.O.M: Millimeters	SHEET: 4 OF 4