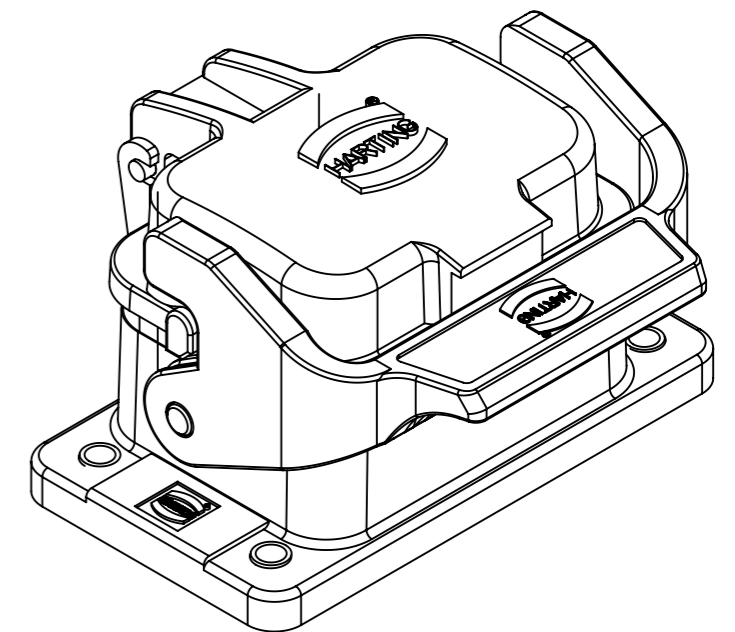
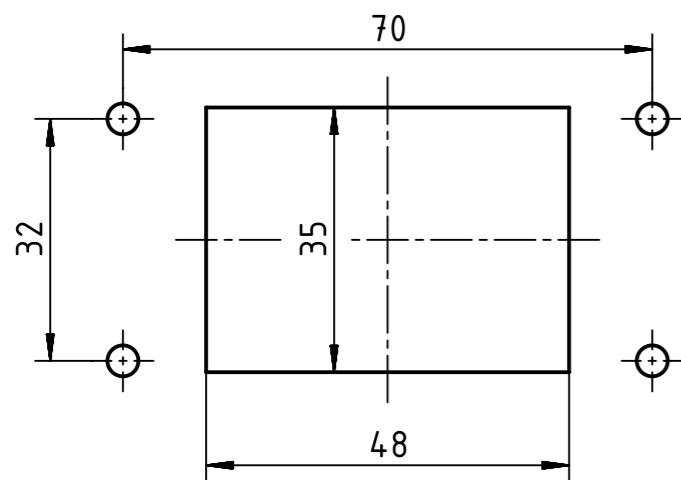


Panel cut out



	All rights reserved Department EL PD - DE HARTING Electric GmbH & Co. KG D-32339 Espelkamp	All Dimensions in mm Original Size DIN A3		Scale 1:1	Free size tol.	Ref. Sub.
		Created by LONGL	Inspected by WENE	Standardisation TIEMANNA	Date 2017-05-31	State Final Release
Title Han 6B IP67 housing with single lever and plastic cover						Doc-Key / ECM-Nr. 100604606/UGD/001/C 500000120072
Type TB		Number 09 30 006 1308			Rev. C	Page 1/1

Mouser Electronics

Authorized Distributor

Click to View Pricing, Inventory, Delivery & Lifecycle Information:

[HARTING:](#)

[09300061308](#)