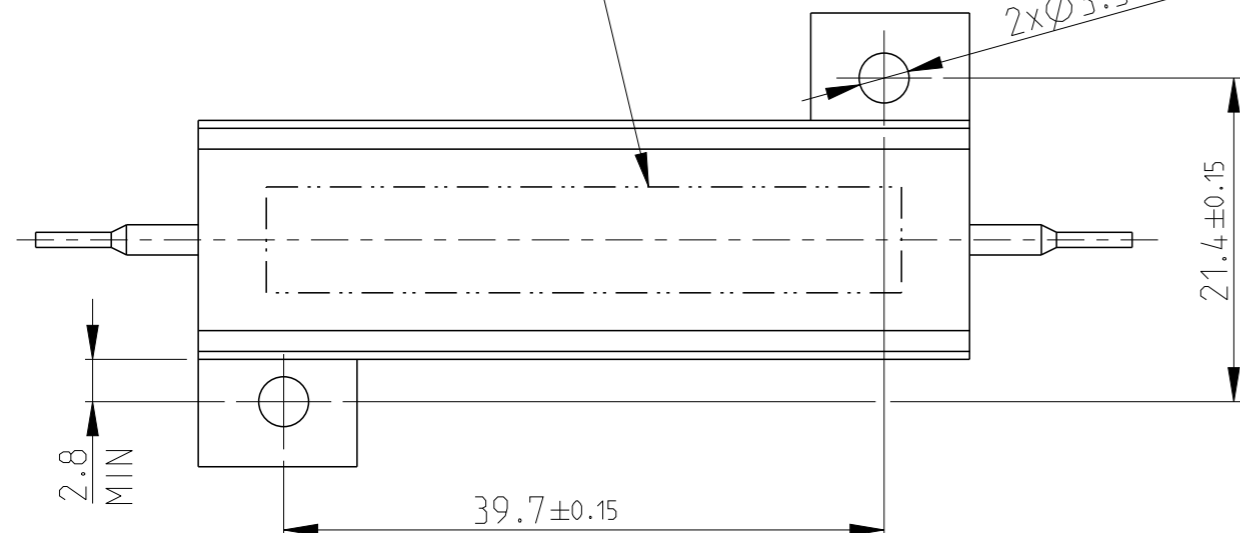


REVISIONS

P	LTR	DESCRIPTION	DATE	DWN	APVD
	B1	Released as per ECR-08-022292	4-Sep-08	SP	JC
	AN	ECR-16-003733	12MAR2016	KR	TN

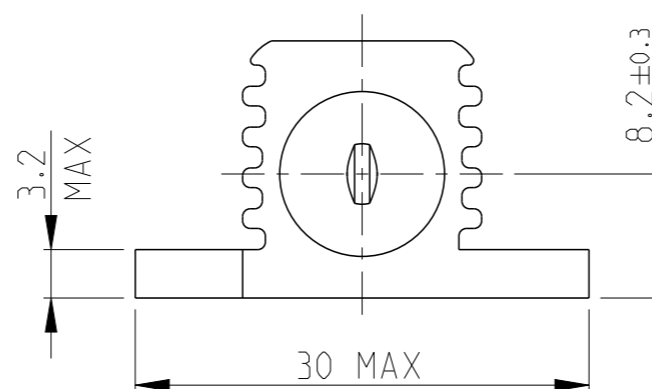
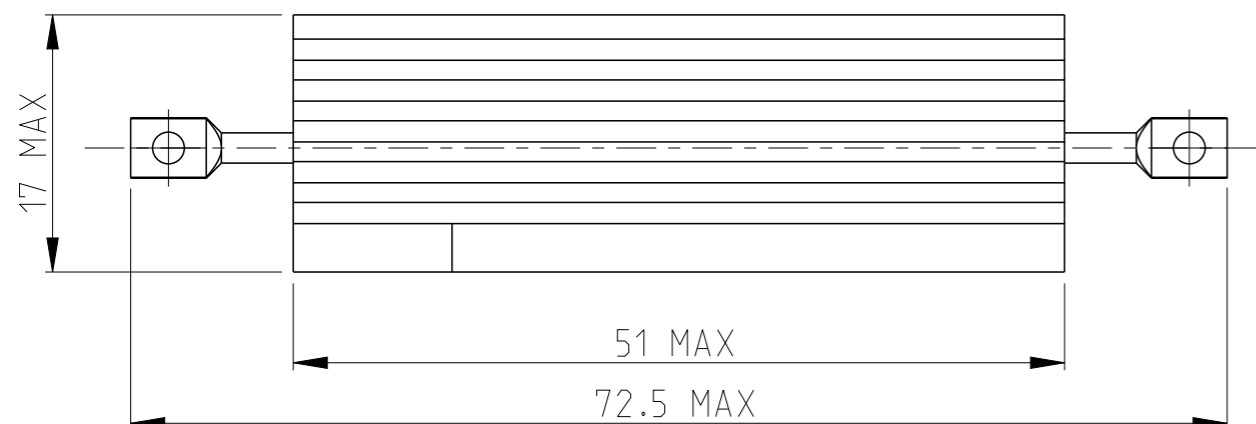
LASER MARKING: TE LOGO PN VALUE TOLERANCE & DATE CODE

2xØ3.3 HOLES

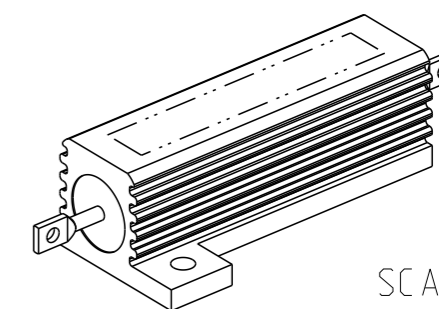


- 1 FOR FURTHER INFORMATION SEE DATA SHEET FOR HS SERIES-ALUMINIUM HOUSED RESISTORS
- 2 FOR A SPECIFIC PN FOR A RESISTANCE VALUE AND TOLERANCE, PLEASE REFER TO DMF
- 3 TECHNICAL SPECIFICATION

DISSIPATION AT 25°C : 50 WATTS MOUNTED ON STANDARD HEATSINK
 BS OHMIC RANGE : R051 TO 72K
 STABILITY : ΔR < =1% PER 1000Hrs
 ISOLATION VOLTAGE : 2500V DC/AC pk
 MAX WORKING VOLTAGE : 1250V DC/AC rms
 TEMP COEFFICIENT : > 1R0 50ppm
 > 100R 25ppm
 CLIMATIC CATEGORY : 55/200/56



RoHS Compliant



SCALE 1:1

THIS DRAWING IS A CONTROLLED DOCUMENT.

DWN 29.SEP.05 DAVE KENNEDY

CHK 30.SEP.05 J CATCHPOLE

APVD 30.SEP.05 J CATCHPOLE

PRODUCT SPEC

APPLICATION SPEC

WEIGHT

CUSTOMER DRAWING



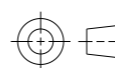
TE Connectivity

NAME HSA50 WIDE BORE

SIZE A3 CAGE CODE 00779 DRAWING NO C=1630186

RESTRICTED TO SCALE 2:1 SHEET 1 OF 1 REV AN

DIMENSIONS: mm TOLERANCES UNLESS OTHERWISE SPECIFIED:



0 PLC	±0.5
1 PLC	±0.2
2 PLC	±0.1
3 PLC	±
4 PLC	±
ANGLES	±5°

MATERIAL - material_2
 FINISH - finish_spec_2

Mouser Electronics

Authorized Distributor

Click to View Pricing, Inventory, Delivery & Lifecycle Information:

[TE Connectivity:](#)

[HSA502K5J](#)