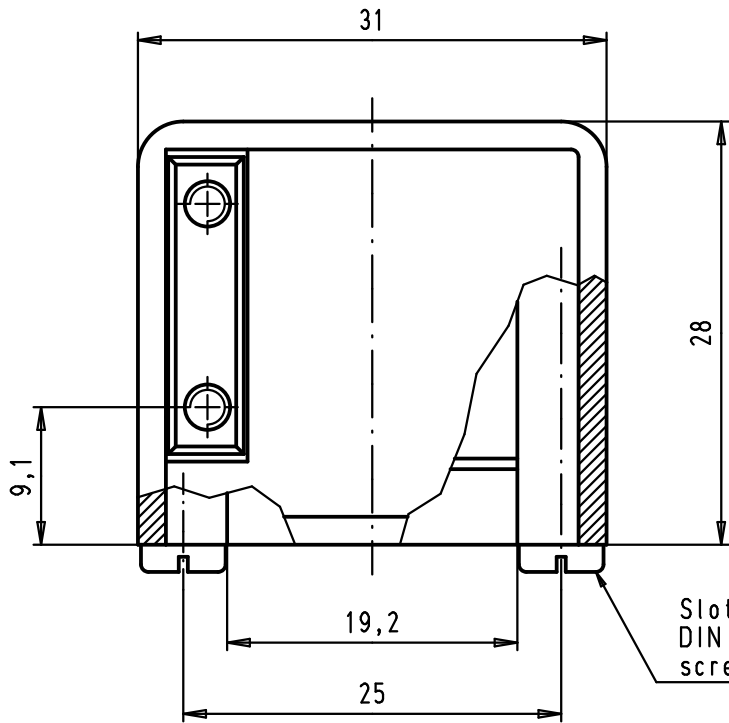
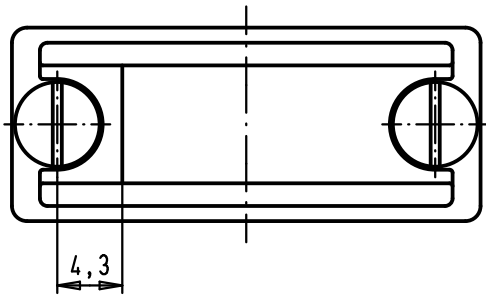
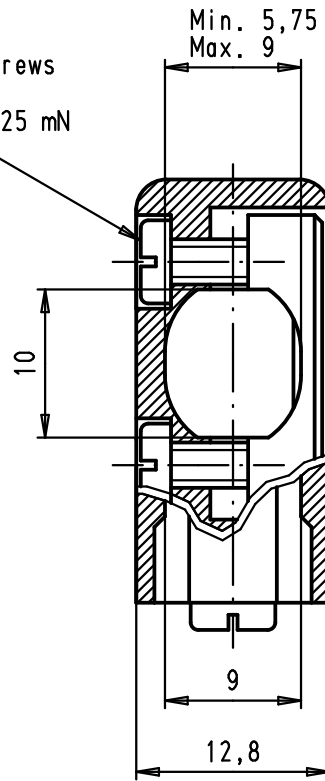


5 4 3 2 1



Slotted pan head tapping screws  
DIN 7971-ST 2,2 x 9,5-F  
Maximum screwing torque= 0,25 mN

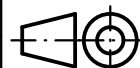


Slotted pan head tapping screws  
DIN 7971-ST 2,9x6,5-F  
screwing torque=35Ncm +/-5Ncm

A

09 67 009 0513	Thermoplastic metallized
09 67 009 0511	Thermoplastic grey RAL 7032
Part number	Material

				Det.	Name
			Detail.	28/03/02	CV
			Insp.	25-MAY-11	JMDV
EC03223	25-MAY-11	SD	Stand.		
34886	26/02/08	PK			
29760	28/03/02	CV			
Mod.	Det.	Name	HARTING EURL F-95972 Paris		



All Dim. in mm  
Orig. Size DIN A 4



D-Sub, hood 9 poles  
for spring or slide  
locking, side cable entry

TB 09 67 009 051X

Sub.

Maßstab/  
Scale

2:1

Blatt/ Page

1 / 1

# Mouser Electronics

Authorized Distributor

Click to View Pricing, Inventory, Delivery & Lifecycle Information:

[HARTING:](#)

[09670090511](#) [09670090513](#)