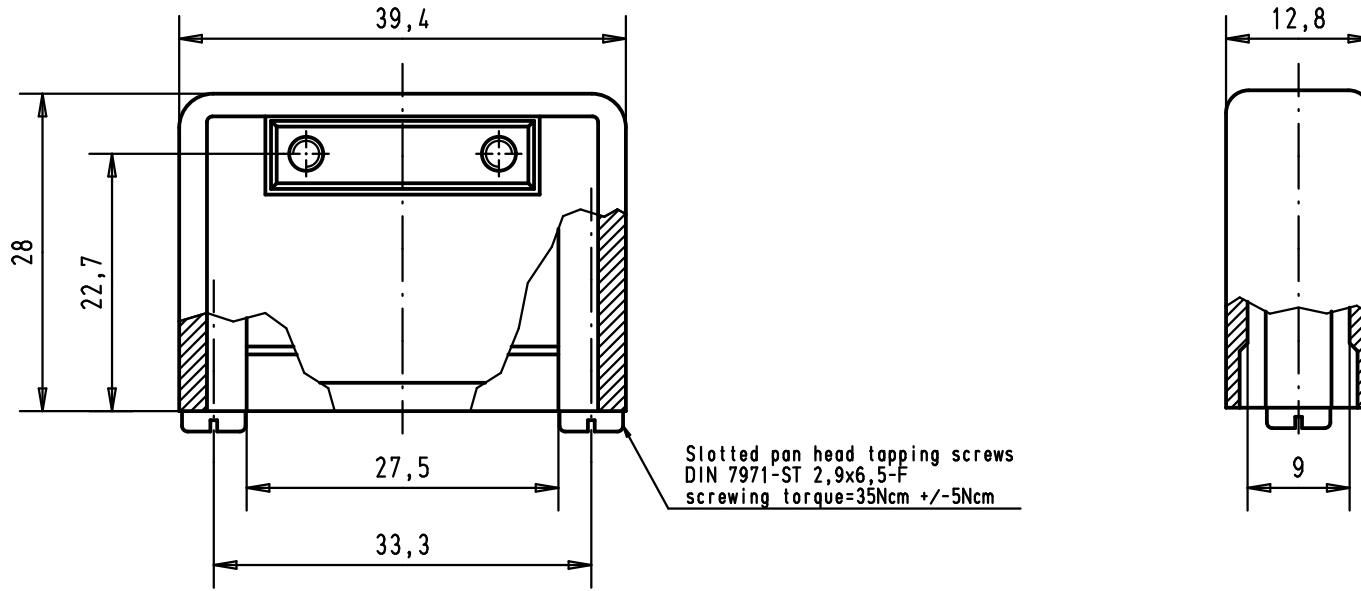
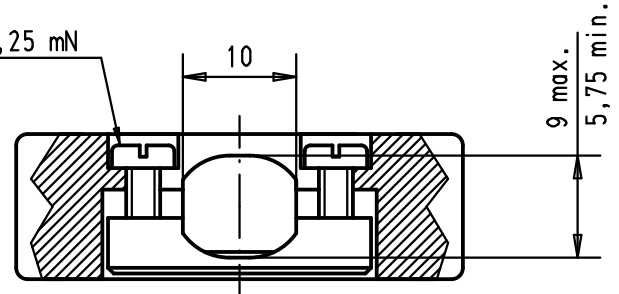


5 4 3 2 1



Slotted pan head tapping screws
DIN 7971-ST 2,9x6,5-F
screwing torque=35Ncm +/-5Ncm

Slotted pan head tapping screws
DIN 7971-ST 2,2x9,5-F
Maximum screwing torque=0,25 mN



						Dat.	Name	 All Dim. in mm Orig. Size DIN A 4	D-Sub, Hood 15 poles, for spring or slide locking, top cable entry	Maßstab/ Scale	
						Detail.	28-MAR-02			CV	1.5:1
						Insp.	25-MAY-11			JMDV	
						Stand.					
09 67 015 0413	Thermoplastic metallized	EC03223	25-MAY-11	SD	HARTING EURL F-95972 Paris 	TB 0967015041x		Blatt/ Page			
09 67 015 0411	Thermoplastic grey RAL 7032	29760	28-MAR-02	CV				Sub.	1/		
Part number	Material	Mod.	Dat.	Name							

Mouser Electronics

Authorized Distributor

Click to View Pricing, Inventory, Delivery & Lifecycle Information:

[HARTING:](#)

[09670150411](#) [09670150413](#)