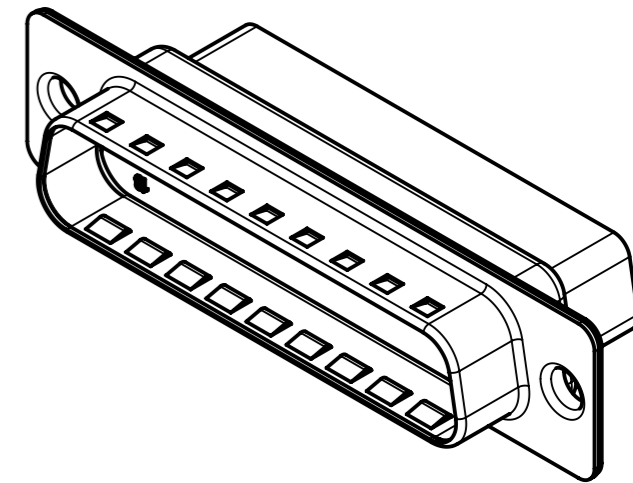
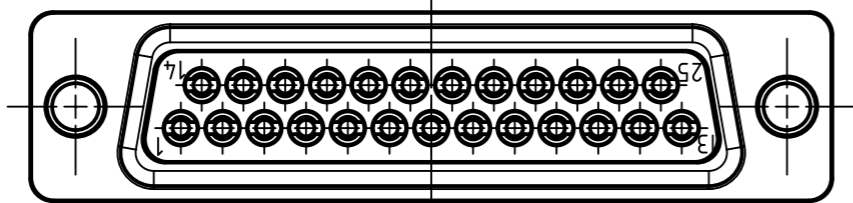
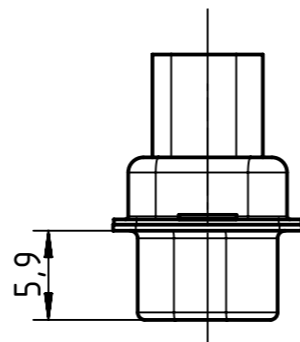
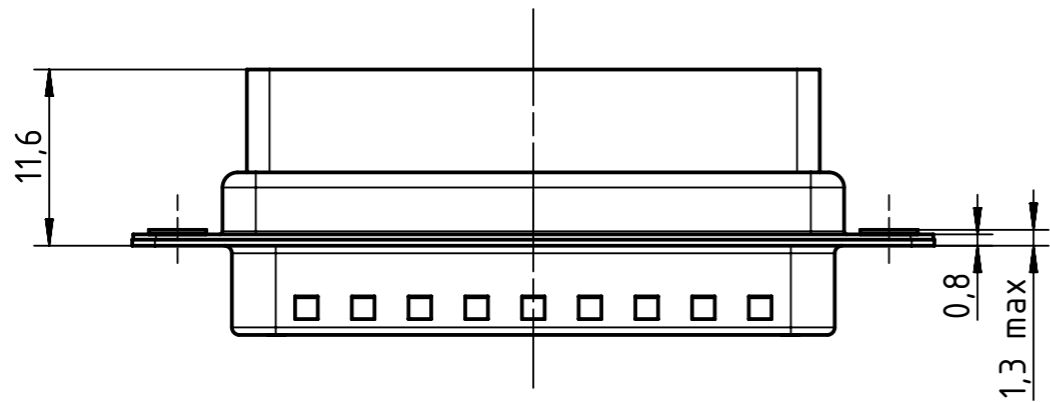
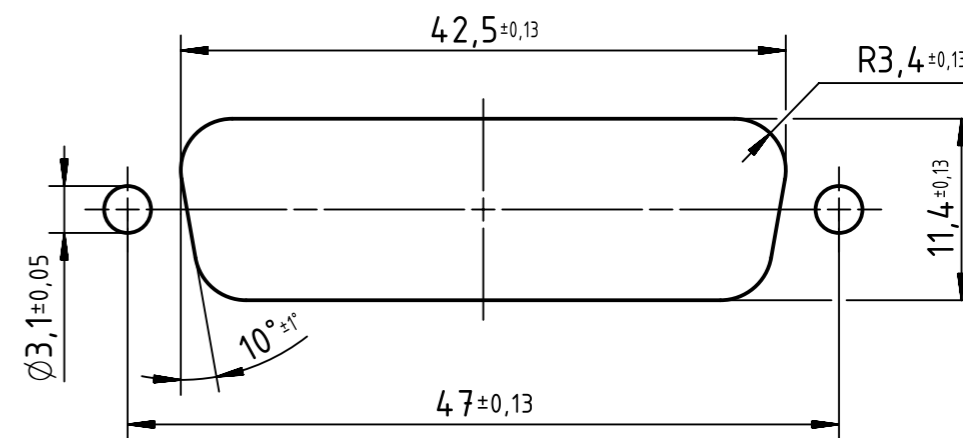


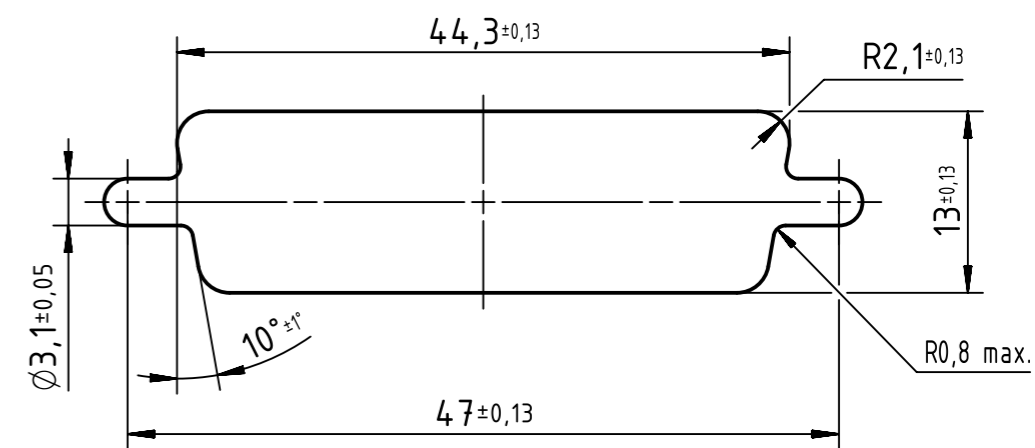
Mating face according to CECC 75301-802



### Rear mounting panel cut out



### Front mounting panel cut out



	All rights reserved		Scale 2:1		Free size tol.		Ref.	
	Department EC PD - CN		Created by ZHUANGJ	Inspected by LUOK	Standardisation HOFFMANN	Date 2017-04-06	State Final Release	
HARTING Electronics GmbH		Title D-Sub crimp 25-pole male assembly				Doc-Key / ECM-Nr. 100235543/UGD/002/D 500000117639		
D-32339 Espelkamp		Type TB	Number 09670255601			Rev. D	Page 1/1	

# Mouser Electronics

Authorized Distributor

Click to View Pricing, Inventory, Delivery & Lifecycle Information:

[HARTING:](#)

[09670255601](#)