

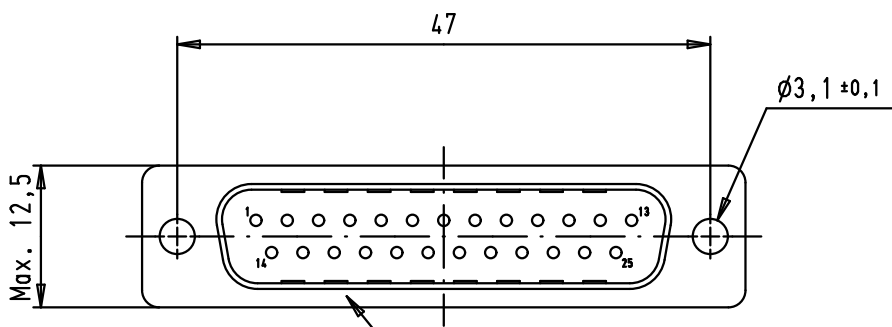
5

4

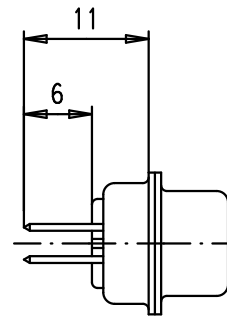
3

2

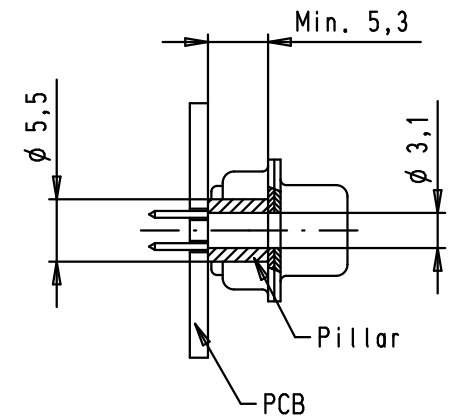
1



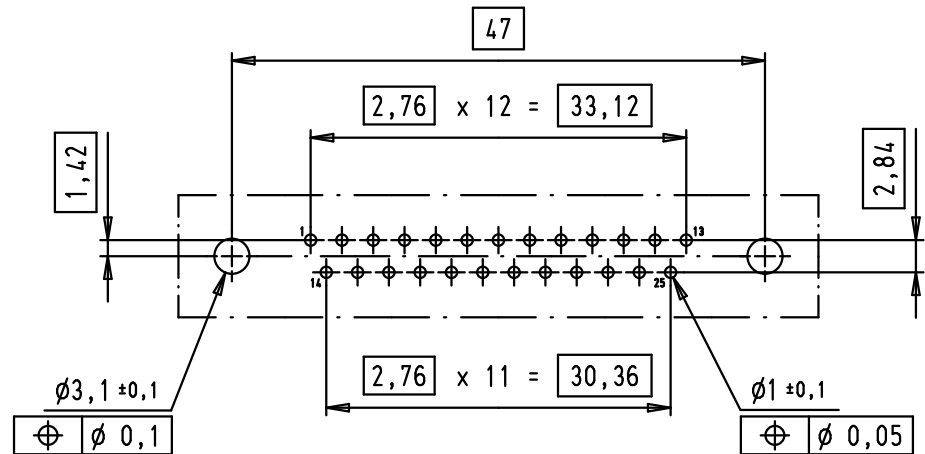
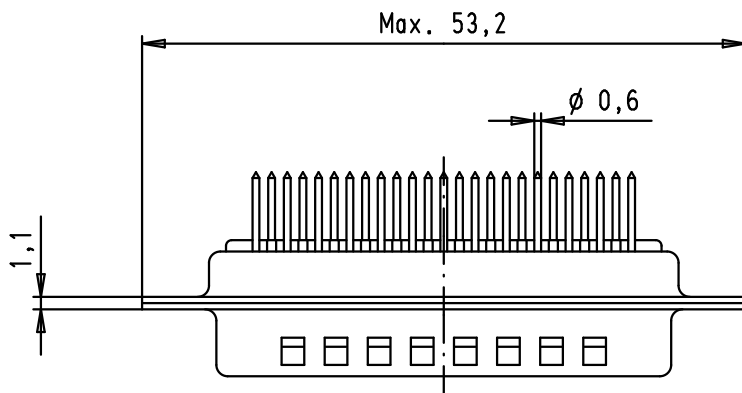
Mating face according to: MIL-C-24308 / DIN 41652 / CECC 75301-802



Assembly position



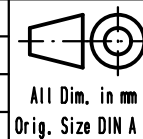
PCB layout, component side  
(PCB holes plating: tin)



A

09 67 025 5656	PL1
09 67 025 5655	PL2
09 67 025 5654	PL3
Part number	Performance level

Mod.	Dat.	Name	Detail.	Dat.	Name
			07/02/01	JFB	
35391	13/10/08	PK	Insp.		
32991	01/09/05	JMDR	Stand.		
27993	04/04/01	AF	HARTING EURL F-95972 Paris		
27974	07/02/01	JFB			
Mod.	Dat.	Name			



All Dim. in mm  
Orig. Size DIN A 4

D-Sub, male, straight,  
25 poles, turned  
solder pins and holes

Maßstab/  
Scale

1,5:1

TB 09 67 025 565X

Blatt/ Page

1 / 2

Sub.

# Mouser Electronics

Authorized Distributor

Click to View Pricing, Inventory, Delivery & Lifecycle Information:

[HARTING:](#)

[09670255654](#) [09670255655](#)