

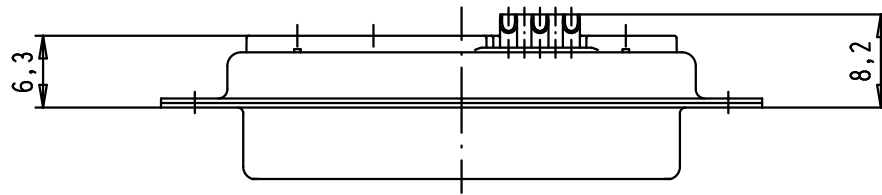
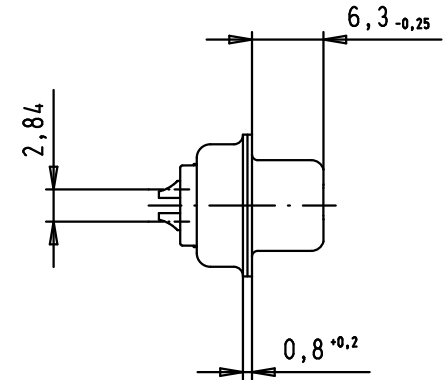
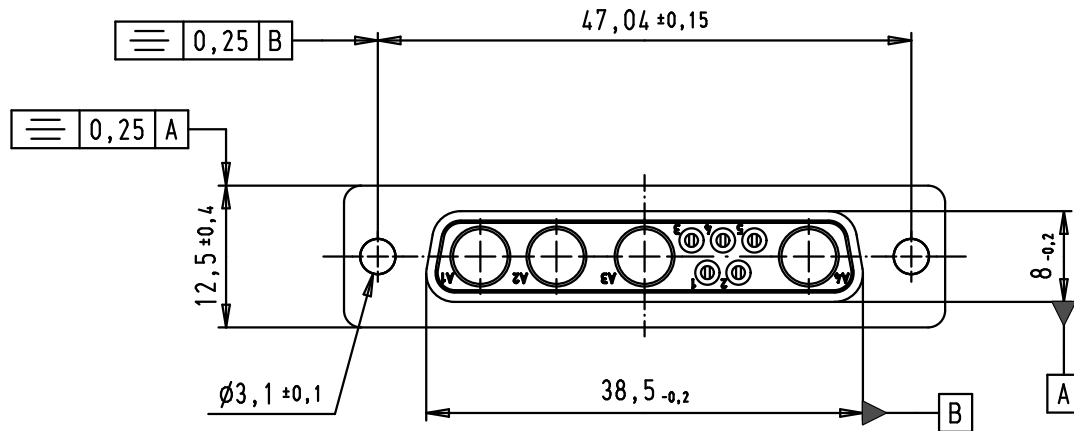
5

4

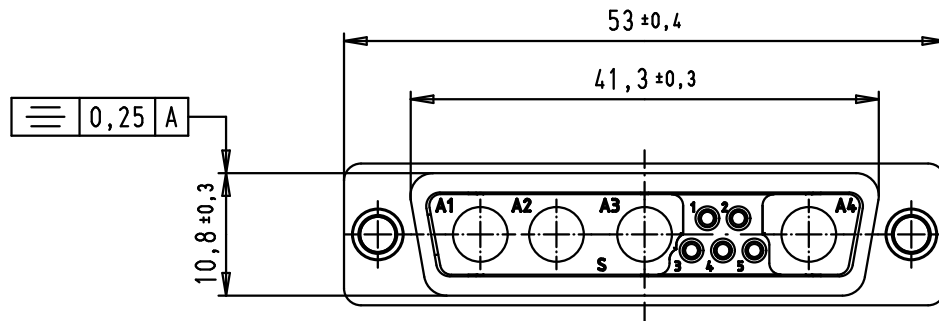
3

2

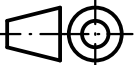
1



Solder bucket termination for AWG 20



A

Part number	Performance level	Index designation	Mod.	Dot.	Name	Det.	Name	 All Dim. in mm Orig. Size DIN A 4	D-Sub, 9W4, female, straight, solder buckets, tin plated shell	Maßstab/ Scale 1,5:1	
09 69 301 7094.500	PL3	Non magnetic				Detail.	21/09/07				PK
09 69 301 7094	PL3	Magnetic				Insp.					
09 69 301 5094.500	S4	Non magnetic				Stand.					
09 69 301 5094	S4	Magnetic	34614	21/09/07	PK	HARTING EURL F-95972 Paris			TB 09 69 301 X094 Sub.	Blatt/ Page 1 / 1	



Mouser Electronics

Authorized Distributor

Click to View Pricing, Inventory, Delivery & Lifecycle Information:

[HARTING:](#)

[09693017094](#) [09693015094](#) [09693015094500](#)