

# A3023069

COM-KNOBS 23, with recess

Suitable for rotary potentiometer with round shaft ends according to DIN 41591. Collet system for convenient knob assembly from the front. Borehole without chamfer.

Max. torque: assembly = 1.2 Nm, function = 1.0 Nm.

## Supply

1 COM-KNOB (with recess)



## TECHNICAL DATA

Material	PA 6	Diameter	23 mm
Colour	nero	Height	16 mm
Standards	RoHS compliant, REACH compliant	Bore hole	6 mm

Please take the dimensions from current parts. These are subject to material- and manufacturing-specific tolerances.

## PURCHASING DATA

Weight/1 part	8 g
Customs tariff number (OKW product)	84879090
Country of manufacture	Germany

## CUSTOMISING OPTIONS

What else do you need to create your own personal product? We can supply our enclosures and tuning knobs fully modified to suit your electronic components and design requirements. Please advise for anything else we can do for you.

# A3023069

COM-KNOBS 23, with recess

## Customising options for A3023069



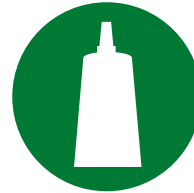
Machining



Printing



Laser marking



Installation / Assembly  
of accessories

# A3023069

COM-KNOBS 23, with recess

## SYSTEM COMPONENTS TO COMPLETE



A3223003  
 Cover 23  
 PA 6  
 coral



A3223004  
 Cover 23  
 PA 6  
 beach



A3223005  
 Cover 23  
 PA 6  
 lagoon



A3223006  
 Cover 23  
 PA 6  
 sky



A3223007  
 Cover 23  
 PA 6  
 mineral



A3223009  
 Cover 23  
 PA 6  
 nero



A3223011  
 Cover 23  
 ABS (UL 94 HB)  
 matt chromed



A3320003  
 Peak 20 - 50  
 PA 6  
 coral



A3320004  
 Peak 20 - 50  
 PA 6  
 beach



A3320005  
 Peak 20 - 50  
 PA 6  
 lagoon



A3320006  
 Peak 20 - 50  
 PA 6  
 sky



A3320007  
 Peak 20 - 50  
 PA 6  
 mineral



A3320009  
 Peak 20 - 50  
 PA 6  
 nero

# A3023069

COM-KNOBS 23, with recess

## ACCESSORY "SCREWS"



A6207009  
Round nut M7 x 0.75



A6210009  
Round nut M10 x 0.75

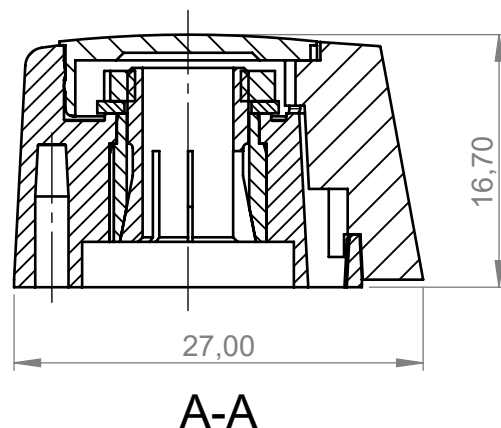
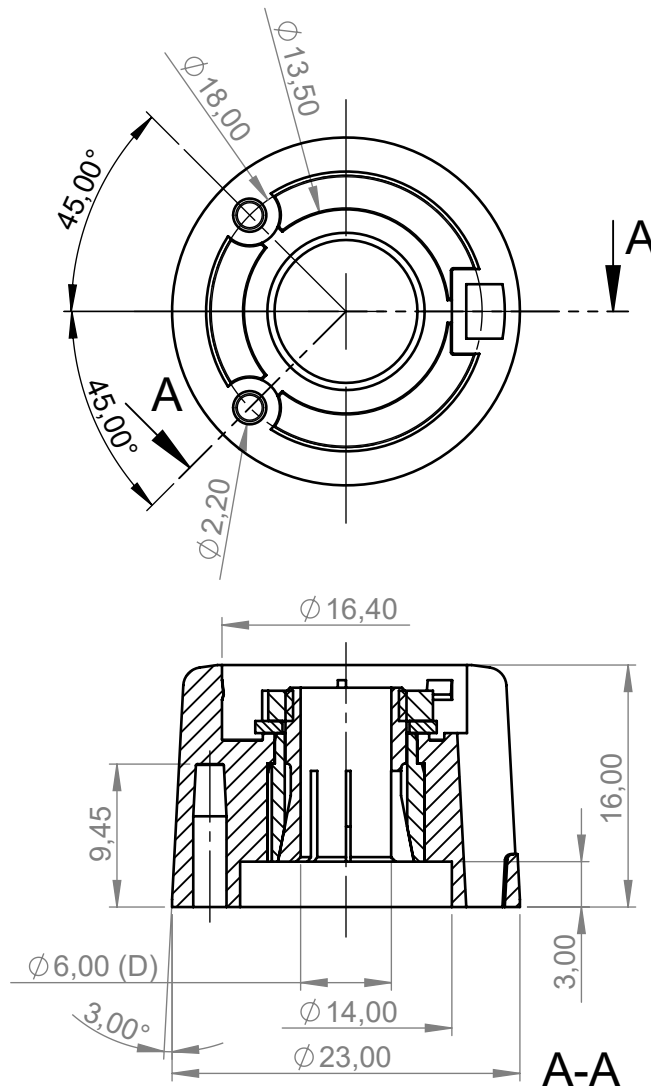


A6295009  
Round nut 3/8"-32G



A6300000  
Spanner

Subject to technical modification without notice. © by OKW Gehäusesysteme, Buchen/Germany.



M 1:1

Bitte die Maße an aktuellen Teilen abnehmen.  
Diese unterliegen material und produktionsspezifischen  
Fertigungstoleranzen

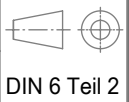
Please take the dimensions from current parts.  
These are subject to material- and manufacturing-  
specific tolerances

Informationskopie  
wird nicht aktualisiert  
Copy for Information  
will not be updated

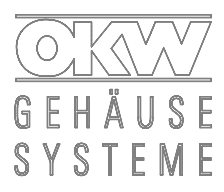
Erst. am: 04.07.2012  
Erst. von: D. Hasselbach  
Freig. am: 20.09.2013  
Freig. von: D. Hasselbach  
Revision: 04

Toleranzen:  
DIN 16901 T130  
Volumen:

Status:  
SERIENFREIGABE  
Zeichnungsart:  
KUNDE



Technische Änderungen vorbehalten. Irrtümer oder Druckfehler begründen keinen Anspruch auf Schadenersatz. Wichtige Einbaumaße bitte direkt mit dem aktuellen Produkt abstimmen.  
Subject to technical modification without prior notice. Typographical and other errors do not justify any claim for damages. All dimensions should be verified using an actual moulded part.  
Sous reserve de modifications techniques. Toute erreur ou faute d'impression ne justifie aucune demande d'indemnisation. Nous prions les clients de vérifier les dimensions des composants avec les boîtiers avant le montage.



This document contains proprietary information of OKW Gehäusesysteme GmbH and is tendered subject to the conditions that the information be retained in confidence not be reproduced or copied and not be used or incorporated in any product.

COM-KNOBS 23  
Borehole ø6 mm, without chamfer  
A302306\*

M 2:1

Für dieses Dokument behalten wir uns alle Urheberrechte vor. Es darf auch auszugsweise weder vervielfältigt noch Dritten in irgendeiner Form zugänglich gemacht werden.

Dateiname:  
00010528