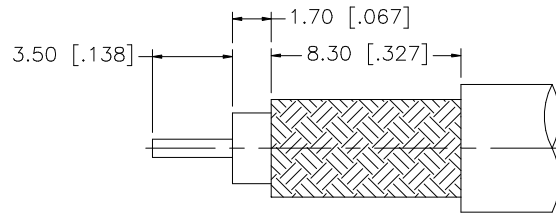
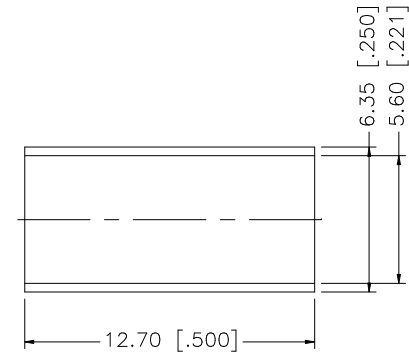
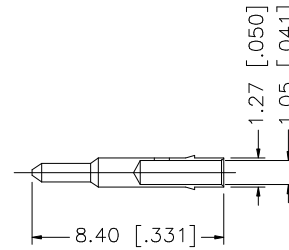
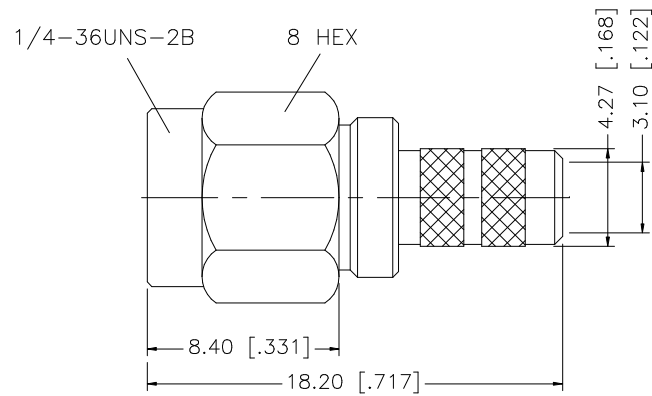


REV.	DATE	DESCRIPTION
A	04/31/03	UPDATE DRAWING FORMAT



RECOMMENDED CABLE STRIPPING DIMENSIONS



CRIMP NOTES:

1. CRIMPED FERRULE
HEX CRIMP SIZE .213"
2. SOLDER CENTER CONTACT

					UNLESS OTHERWISE SPECIFIED DIMENSIONS ARE IN MILLIMETERS. DIMENSIONS IN [] ARE IN INCHES AND FOR CUSTOMER REFERENCE ONLY.	APPROVALS	DATE	<h1 style="color: blue; margin: 0;">Amphenol Connex</h1>				
8					UNLESS OTHERWISE SPECIFIED TOLERANCES FOR MILLIMETERS ARE: 0.5 - 8mm ± 0.20mm 8 - 30mm ± 0.40mm 30 - 120mm ± 0.50mm UNLESS OTHERWISE SPECIFIED TOLERANCES FOR INCHES ARE: .020 - .315 = ± 0.007" .315 - 1.180 = ± 0.015" 1.180 - 4.724 = ± 0.020"	DRAWN	G.R.S.					04/31/03
7						CHECKED			PART NO. 132195			
6	FERRULE	COPPER	GOLD	1		ISSUED						
5	GASKET	SILICONE	RED	1		SHEET	1 OF 1		REV. A SIZE A SCALE NA			
4	RETAINER RING	BER. COPPER	NATURAL	1		CAD FILE	C:/132/132195.DWG					
3	CONTACT PIN	BRASS	GOLD	1		DO NOT SCALE DRAWING						
2	INSULATOR	TEFLON	NATURAL	1								
1	BODY	BRASS	GOLD	1								
DESCRIPTION					MATERIAL	FINISH	QTY					