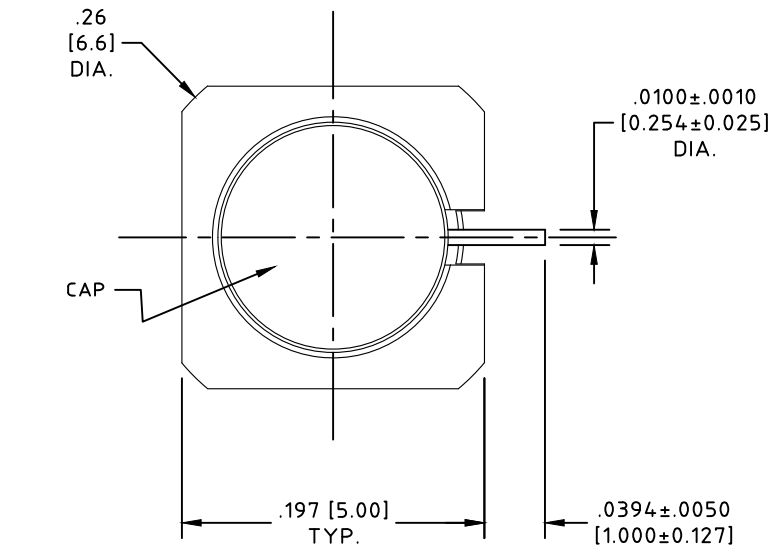
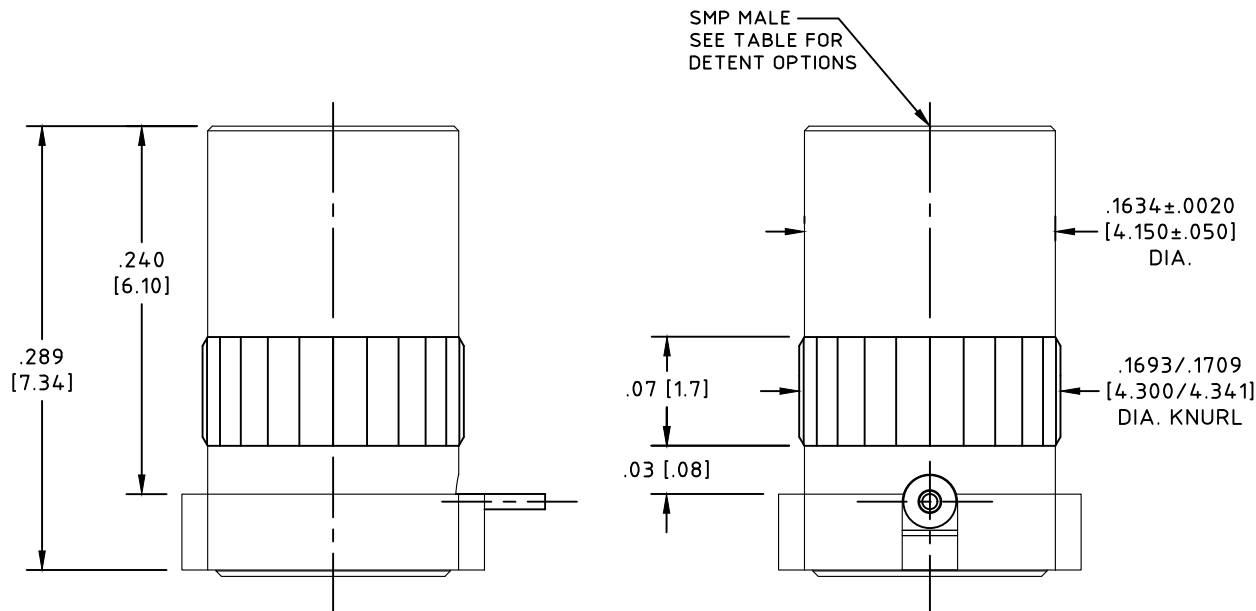


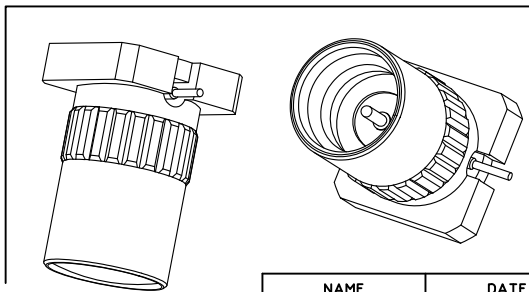
CONTROL DRAWING

NOTES:

F



DETENT	PART NO.
F.D.	29474RM-2-003
L.D.	29474RM-3-003
S.B.	29474RM-4-003



- DESCRIPTION:
PCB BOARD CONNECTOR, SMP MALE, PCB REAR MOUNT.
- MATERIALS AND FINISHES:
BODY, CENTER CONDUCTOR AND CAP, BRASS, FREE CUTTING, PER ASTM B-16 UNS No. C36000.
GOLD PLATED 30 μIN (0.76 μM) MIN. THK. PER ASTM B-488, CODE C, TYPE II, CLASS 0.76.
OVER NICKEL PLATE, 50 μIN (1.27 μM) MIN. THK. PER SAE-AMS-QQ-N-290, CLASS 1.
OR BERYLLIUM COPPER ALLOY PER ASTM B-196, UNS No. C17300, TEMPER TD04(H), GOLD PLATED 50 μIN (1.27 μM) MIN. THK. PER ASTM B-488, CODE C, TYPE II, CLASS 1.27.
OVER NICKEL PLATE, 50 μIN (1.27 μM) MIN. THK. PER SAE-AMS-QQ-N-290, CLASS 1.
DIELECTRIC, POLYTETRAFLUOROETHYLENE (PTFE) PER ASTM D-1710, OR ASTM D-4894, TYPE I, GRADE 1, CLASS A OR POLYETHERIMIDE RESIN (PEI) (G.E. ULTEM®) PER ASTM D-5205 OR POLYAMIDE-IMIDE (TORLON® 4203) ELECTRICAL GRADE, PER ASTM D-5204.
- ELECTRICAL CHARACTERISTICS:
IMPEDANCE 50.0 Ohms NOMINAL.
FREQUENCY 26.5 GHz MAX.
- INTERFACE MEETS MIL-STD-348.
- OPERATING TEMPERATURE RANGE: -55° C TO +125° C.
- FOR CUT OUT AND OPTIMAL TRACE TOPOGRAPHY REFER TO HUBER+SUHNER Astrolab drawing 29474RM-x-003-TPG40240055.
- PACKAGING, TAPE ON REEL PACKING, 100 PIECES MINIMUM CONTINUOUS TAPE.

UNLESS OTHERWISE SPECIFIED
CONCENTRICITY .004 T.I.R.
CORNERS AND FILLETS .005
MAX. RADIUS OR CHAMFER.
SURFACE FINISH 63 RMS
MICROINCHES OR BETTER.

X	±.030 [±0.762]
XX	±.015 [±0.381]
XXX	±.005 [±0.127]
XXXX	±.0005 [±0.013]
ANGLES	± 1°
DO NOT SCALE DRAWING	

NAME	DATE	SCALE
PREP. EB	05/31/13	8:1
ELEC. RF	05/31/13	
MECH. AW	05/31/13	
Q.C.		ANSI A

THIS DRAWING CONTAINS PATENTABLE AND PROPRIETARY INFORMATION. THE DESIGN CANNOT BE USED WITHOUT WRITTEN PERMISSION OF HUBER + SUHNER ASTROLAB.

TITLE SMP MALE, PCB BOARD, REAR MOUNT		CODE IDENT. 16301	DWG NO. DWG-01016143	REV. F	SHEET 1
--	--	----------------------	-------------------------	-----------	------------

F	ECN No. 20884	04/02/19	EF	GSG
REV.	DESCRIPTION	DATE	BY	APPROVED

Mouser Electronics

Authorized Distributor

Click to View Pricing, Inventory, Delivery & Lifecycle Information:

[HUBER+SUHNER:](#)

[29474RM-3-003](#)