

Board Level Cooling – Push On 3100



BOARD LEVEL COOLING – Push On 3100

Push On 3100 is a circular board level heat sink designed to cool TO-5 devices. Representative image only.



ORDERING INFORMATION

Part Number	Device Type
311505B00000G	TO-5

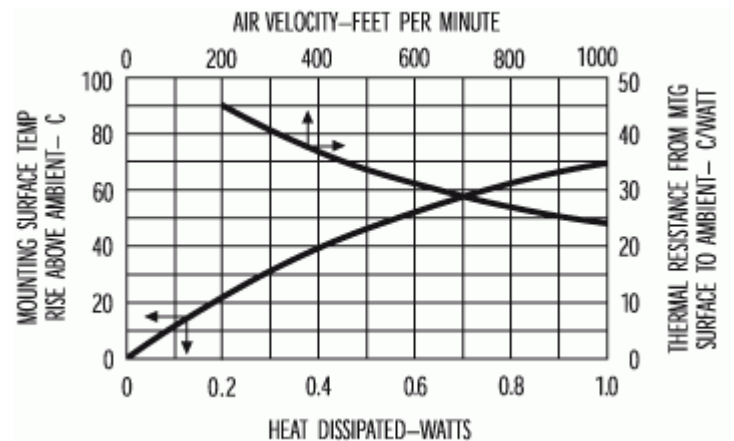
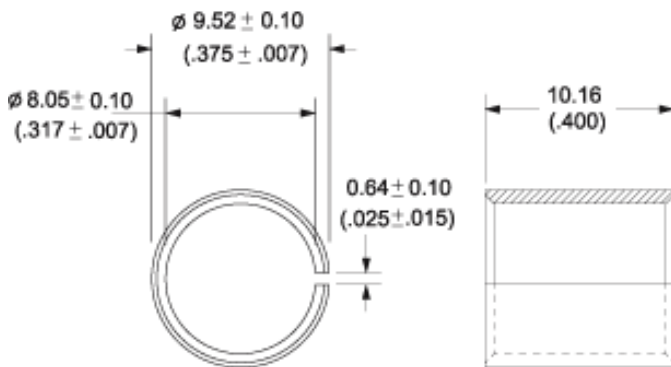
HEAT SINK DETAILS

Property	Details
Material	Aluminum
Finish	Black Anodize
Device Attachment Options	Push-On
Thermal Interface Material	-

Property	Details
Heat Sink Width (mm)	9.52
Heat Sink Length (mm)	9.52
Heat Sink Height (mm)	10.16
Heat Sink Mounting Direction	Vertical

MECHANICAL & PERFORMANCE

Drawing dimensions are shown in mm, (in)



Mouser Electronics

Authorized Distributor

Click to View Pricing, Inventory, Delivery & Lifecycle Information:

[Aavid:](#)

[311505B00000G](#)