

■Description

- This LED is built with two different or same color LEDs. It builds with resistors to operate with wide operation voltage of DC3-15V.
- 50pcs are supplied in a storage box
- Easy to use and storage, user-friendly
- Widely applied to project design, Arduino/Pi Pico/Steam kit, TTL/Cmos compatible applications

■Features

- Wide Input Voltage
- Cost Saving and Space Saving
- Water Clear
- Bi-color Common Cathode Type

■Applications

- Toys/Game/Audio
- TTL/Cmos Compatible
- Arduino/Pi Pico/Steam Kit
- Other Electronics Products

■Absolute Maximum Rating (Ta=25°C)

Item	Symbol	Value	Unit
DC Forward Voltage	V _F	15	V
Reverse Voltage	V _R	12	V
Power Dissipation	P _D	190	mW
Operating Temperature	T _{opr}	-30 ~ +85	°C
Storage Temperature	T _{stg}	-40~ +100	°C
Lead Soldering Temperature	T _{sol}	260°C/5sec	-

■Electrical -Optical Characteristics (Ta=25°C)

LED P/N	OSRPMC8131A-VV	
Light Color	Red	Pure Green
Lens Color	Water Clear	
Wavelength*1	620-630nm	520-530m
Luminous Intensity(typ.)*2	4200mcd	7000mcd
Forward Voltage(typ.)	9V	9V
Forward Current(typ.)*3	8mA	7.5mA
Viewing Angle(typ.)	30°	30°
Quantity(pcs)/Box	50	

*1 Tolerance of measurements of dominant wavelength is ±1nm

*2 Tolerance of measurements of luminous intensity is ±15%

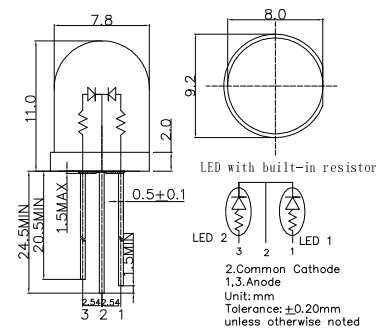
*3 Tolerance of measurements of forward current ±1mA

■Product Picture

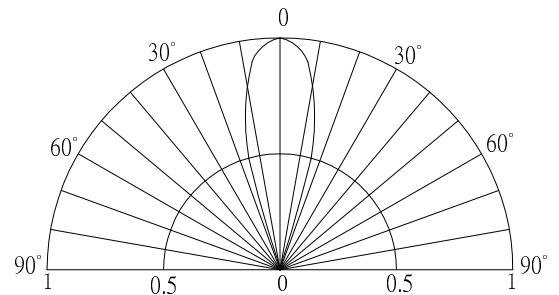
50pcs/Box (Dimensions: 90*65*30mm)



■Outline Dimension



■Directivity



■Optical Characteristic Curves

