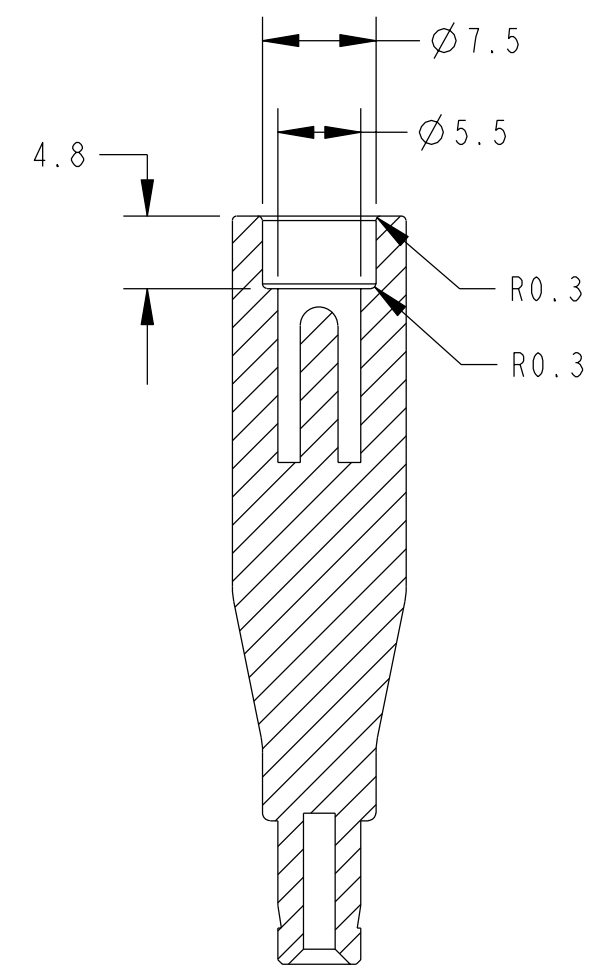
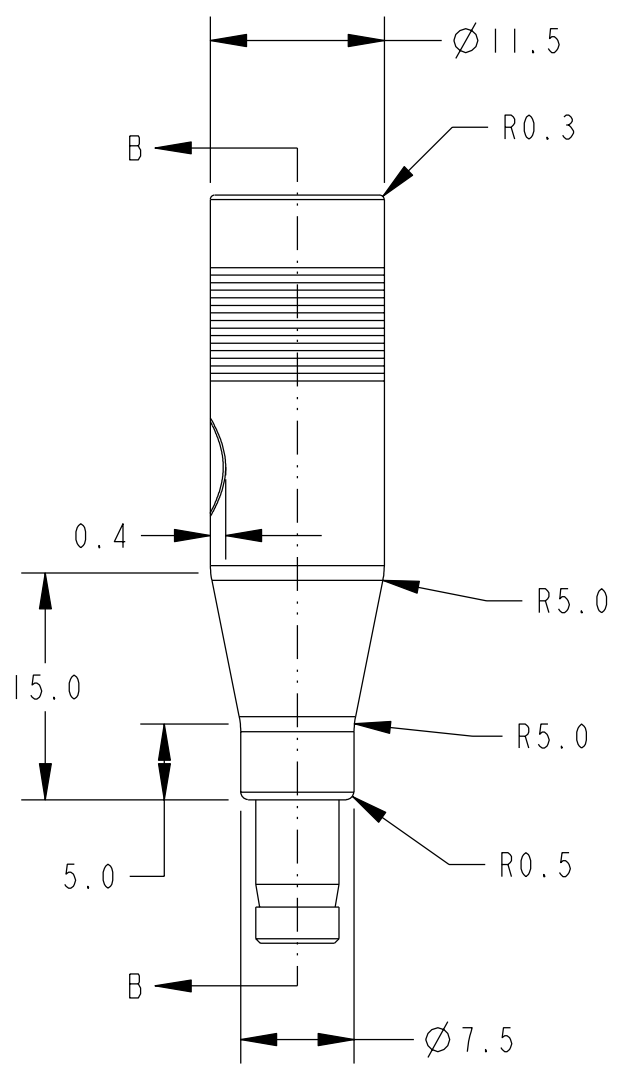
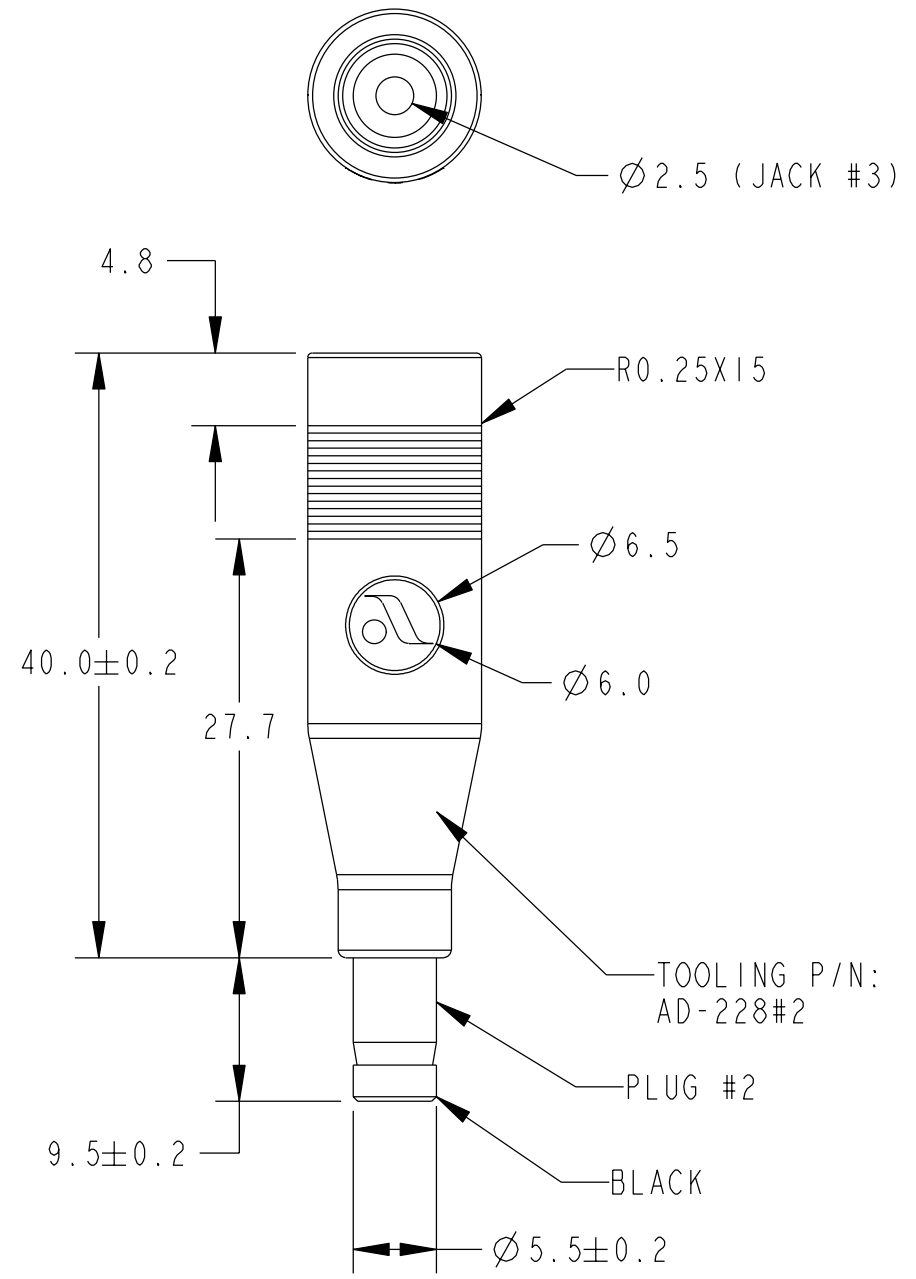
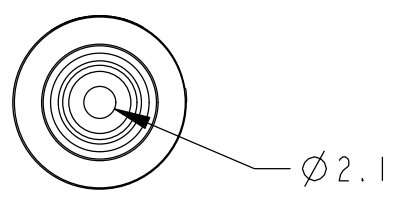
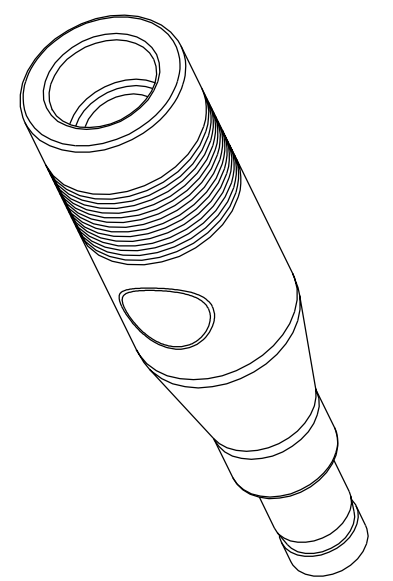



REVISIONS			
REV	DESCRIPTION	DATE	APPROVAL
A	RELEASE	25-Feb-03	X



SECTION B-B



NOTES:
 ADAPTER: #2
 DC PLUG: $\varnothing 2.1 \times 5.5 \times 9.5$ MM (BLACK)
 DC JACK: $\varnothing 2.5 \times 5.5 \times 9.5$ MM
 MATERIAL: PVC 90 "A"
 ADAPTER DESIGNED BY AULT FOR USE ONLY
 WITH CABLE OVERMOLD TOOLING 6131450 AND
 6131451 WITH BARREL LENGTH .375 (9.5 MM).
 WITHDRAW TEST APPROX. 1 KG ~ 2 LBS. PER
 1 MINUTE.
 MANUFACTURED BY GOOD POWER P/N AD-228 #2.

TOLERANCES UNLESS NOTED OTHERWISE	SUPPLEMENTARY INFORMATION FIRST USED X		AULT ADAPTER (JACK #3 PLUG #2)		 AULT INCORPORATED MINNEAPOLIS, MINNESOTA	
	DO NOT SCALE DRAWING					
.X $\pm .020$.XX $\pm .010$.XXX $\pm .005$ ANGLES $\pm .5^\circ$	DRAWN BY	S. JOHNSON	25-Feb-03	SIZE	DRAWING NO.	REV
	DESIGNER			B	6872340FG	A
	AGENCY					
	ENGINEER					
APPROVED				SCALE 2.000	SHEET 1 OF 1	

Mouser Electronics

Authorized Distributor

Click to View Pricing, Inventory, Delivery & Lifecycle Information:

[SL Power:](#)

[6872340FG](#)