

## Model Number: 5G-ANT-SV02

### PRODUCT SPECIFICATION

#### I. Main features

##### \*Electrical

No.	Item	Specifications
1	Frequency (MHz)	600-6000
2	Gain (Zenith)	5dBi
3	V.S.W.R	<2
4	Impedance	50Ω
5	Max Input Power	10W
6	Lightning protection	DC ground
7	Polarization	V

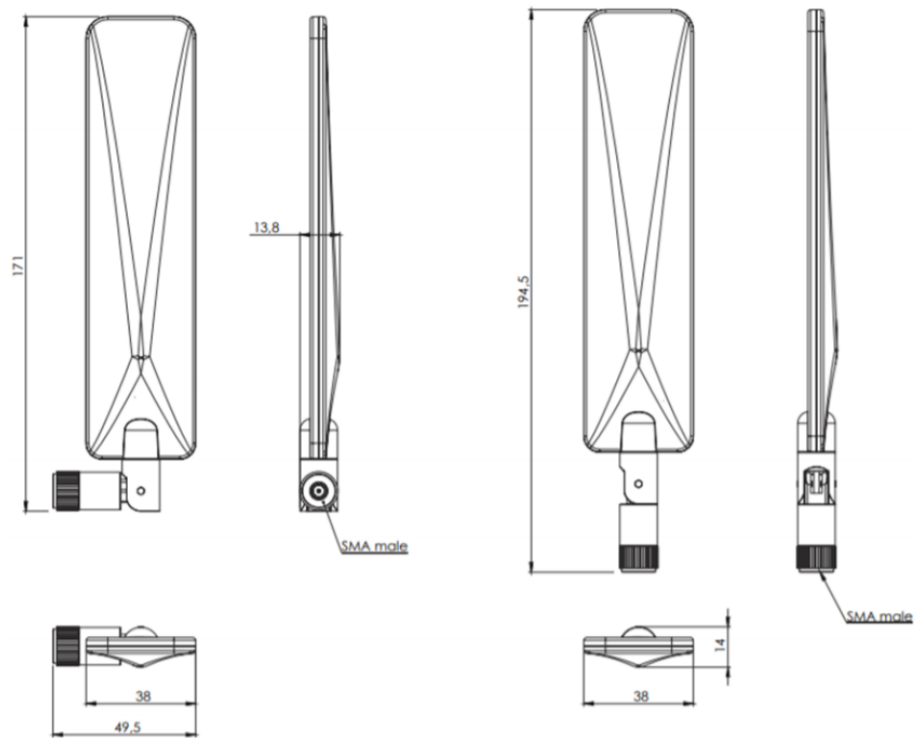
##### \*Mechanical

No.	Item	Specifications
1	Length (mm)	194
2	Connector	SMA Male or other
3	Weight (g)	34,6
4	Plastic Housing	Black/White
5	Working Temperature	-40°C~+85°C
6	Working Humidity	5~95%

## II. Appearance



## III. Engineering drawing



Unit: mm