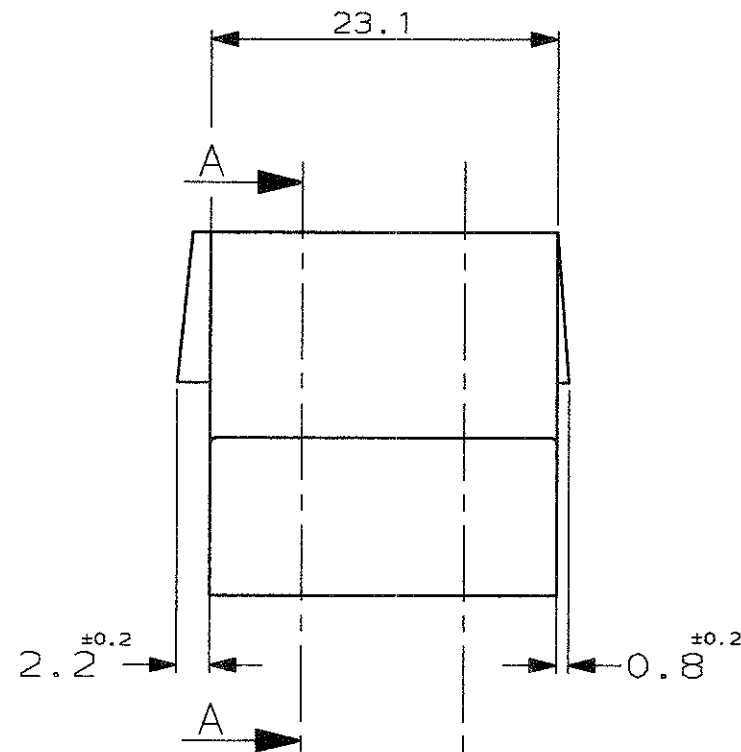
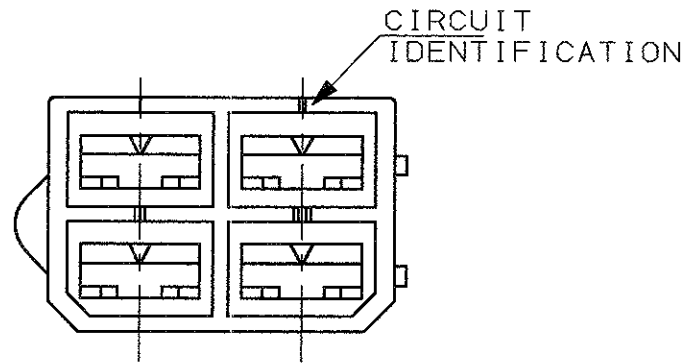


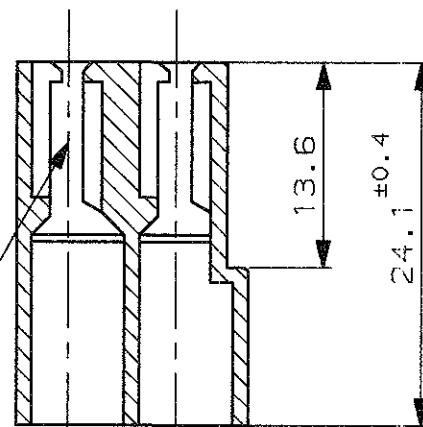
SCALA NON IMPEGNATIVA  
(DO NOT SCALE)  
DIMENSIONI IN mm  
(DIMENSIONS IN mm)

**METRIC**

PROIEZIONE EUROPEA  
(EUROPEAN PROJECTION)

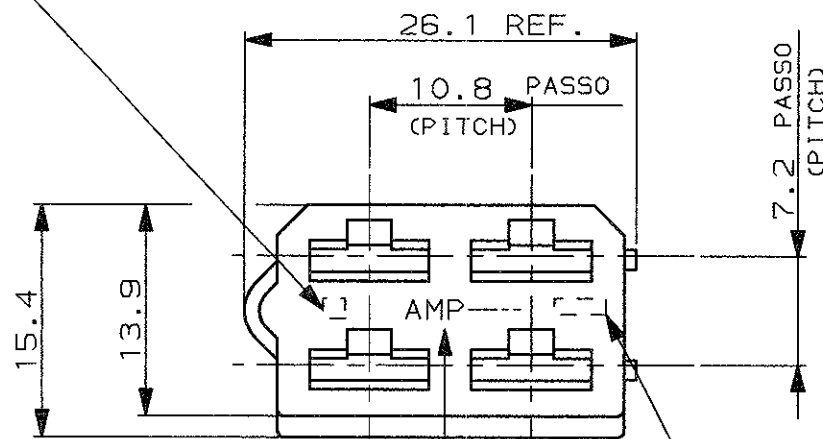


SEZIONE A-A  
(SECTION A-A)



TIPICA CAVITA' PER TERMINALE AMP FASTIN-FASTON SR. 6.35mm.  
(TYPICAL CAVITY FOR AMP FASTIN-FASTON .250 SR.)

NUMERO DI IMPRONTA STAMPO, FACOLTATIVO  
(MOULD CAVITY IDENTIFICATION NO., OPTIONAL)



MARCHIO DI FABBRICA  
(AMP TRADE MARK)

CODICE AMP, FACOLTATIVO  
(AMP PART NUMBER, OPTIONAL)

- 1 PRODOTTI SOLO PER AMP GIAPPONE.  
(RESTRICTED FOR AMP JAPAN).
- 2 NON PRODOTTO DALL'AMP ITALIA.  
(NOT PRODUCED BY AMP ITALY).
- 3 OBSOLETE PARTS: OBSOLETE CIS STREAMLINING  
PER D.RENAUD/D.SINISI

NOTE (NOTES)	COLORE (COLOUR)	MATERIALE (MATERIAL)	NUMERO (PART NUMBER)
3 OBSOLETE	1 NEUTRO (CLEAR)	PA 6.6 (PA 6.6 UNFILLED)	<del>9-180900-0</del>
	2 NERO (BLACK)	PA 6.6 UL 94 V-0 (PA 6.6 F.R. 94 V-0)	<del>5-180900-0</del>
	2 NERO (BLACK)	PA 6.6 (PA 6.6 UNFILLED)	<del>4-180900-0</del>
	2 NERO (BLACK)	PA 6.6 (PA 6.6 UNFILLED)	<del>3-180900-0</del>
	2 ROSSO (RED)	PP	2-180900-0
	2 NEUTRO (CLEAR)	ABS	1-180900-0
3 OBSOLETE	GRIGIO (GRAY)		<del>180900-7</del>
	NERO (BLACK)		180900-5
	2 VERDE (GREEN)	PA 6.6 (PA 6.6 UNFILLED)	180900-2
OBSOLETE	ROSSO (RED)		180900-1
	NEUTRO (CLEAR)		180900-0

CUSTOMER DWG. FOR REFERENCE ONLY / DISEGNO PER CLIENTE SOLO PER RIFERIMENTO

THIS DRAWING IS UNPUBLISHED. RELEASE FOR PUBLICATION 19

TOLLERANZE: SE NON DIVERSAMENTE SPECIFICATO (TOLERANCES, UNLESS OTHERWISE SPECIFIED) ±0.3

ANGOLI (ANGLES) ± 2°

DIS. A. MORETTI (DR.) 1 FEB '80

DESCRIZIONE (DESCRIPTION) 4 WAY FASTIN-FASTON RECEPTACLE HOUSING .250 Sr.

AZ4	REVISED PER ECO-11-005140	RK	01 APR 11
REV. (REV. LTR.)	REVISIONI (REVISION RECORD)	DIS. (DR)	DATA (DATE)

CONT. R. ROGGERO (CHK) 4 FEB '80	APP. (APP.)	LOC. (LOC.) I	SIZE (SIZE) A3	NUMERO (DWG NO) C-180900	REV. (REV.) AZ4	F0GLIO (SHEET) 1	DI (OF) 1
----------------------------------	-------------	---------------	----------------	--------------------------	-----------------	------------------	-----------

DISTRIBUZIONE (PRINT DIST.)

# Mouser Electronics

Authorized Distributor

Click to View Pricing, Inventory, Delivery & Lifecycle Information:

[TE Connectivity:](#)

[180900-5](#)