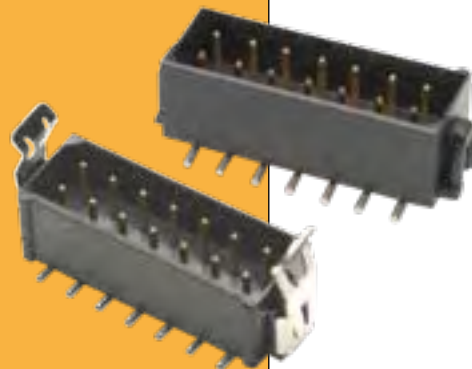


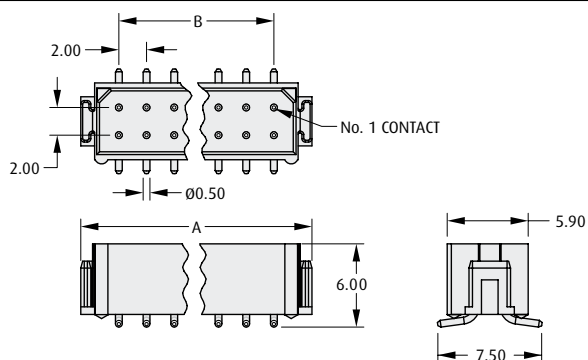
# Datamate

## Surface Mount Male Connectors – Vertical

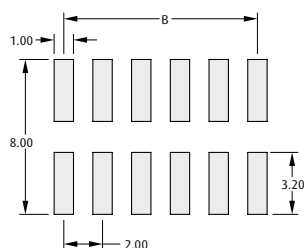
- ❖ Contact [datamate@harwin.com](mailto:datamate@harwin.com) for tape & reel options.
- ❖ Optional pick and place cap.
- ❖ Mates with female connectors on pages 15 to 17.
- ❖ Gull wing SMT tails simplify inspection process.



### UNLATCHED



Friction lock or latch (when fitted) adds 0.5mm to overall length 'A'

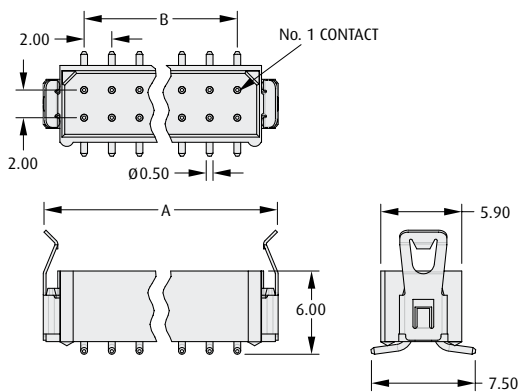


Recommended  
PC Board Pattern

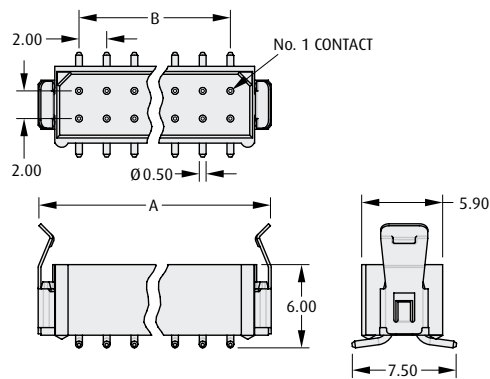
#### CALCULATION

<b>A</b>	$B + 5.60$
<b>B</b>	Total No. of contacts - 2

### LATCHED



### WITH FRICTION LOCK



### HOW TO ORDER

**M80 - 82 X XX XX P**

#### SERIES CODE

#### TYPE

<b>6</b>	Unlatched
<b>7</b>	Friction latched
<b>8</b>	Latched

#### TOTAL NO. OF CONTACTS

**04, 06, 08, 10, 12, 14, 16, 18, 20, 26, 34, 44**

#### PICK AND PLACE CAP

<b>BLANK</b>	No cap
<b>P</b>	Pick and place cap

#### FINISH

<b>22</b>	Gold + Tin/Lead
<b>42</b>	Gold + Tin

All dimensions in mm.

[www.harwin.com](http://www.harwin.com)

