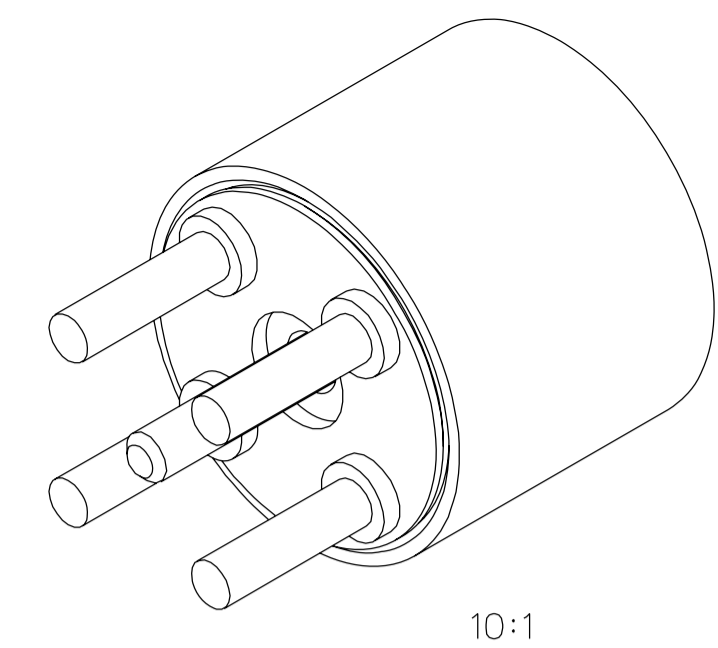
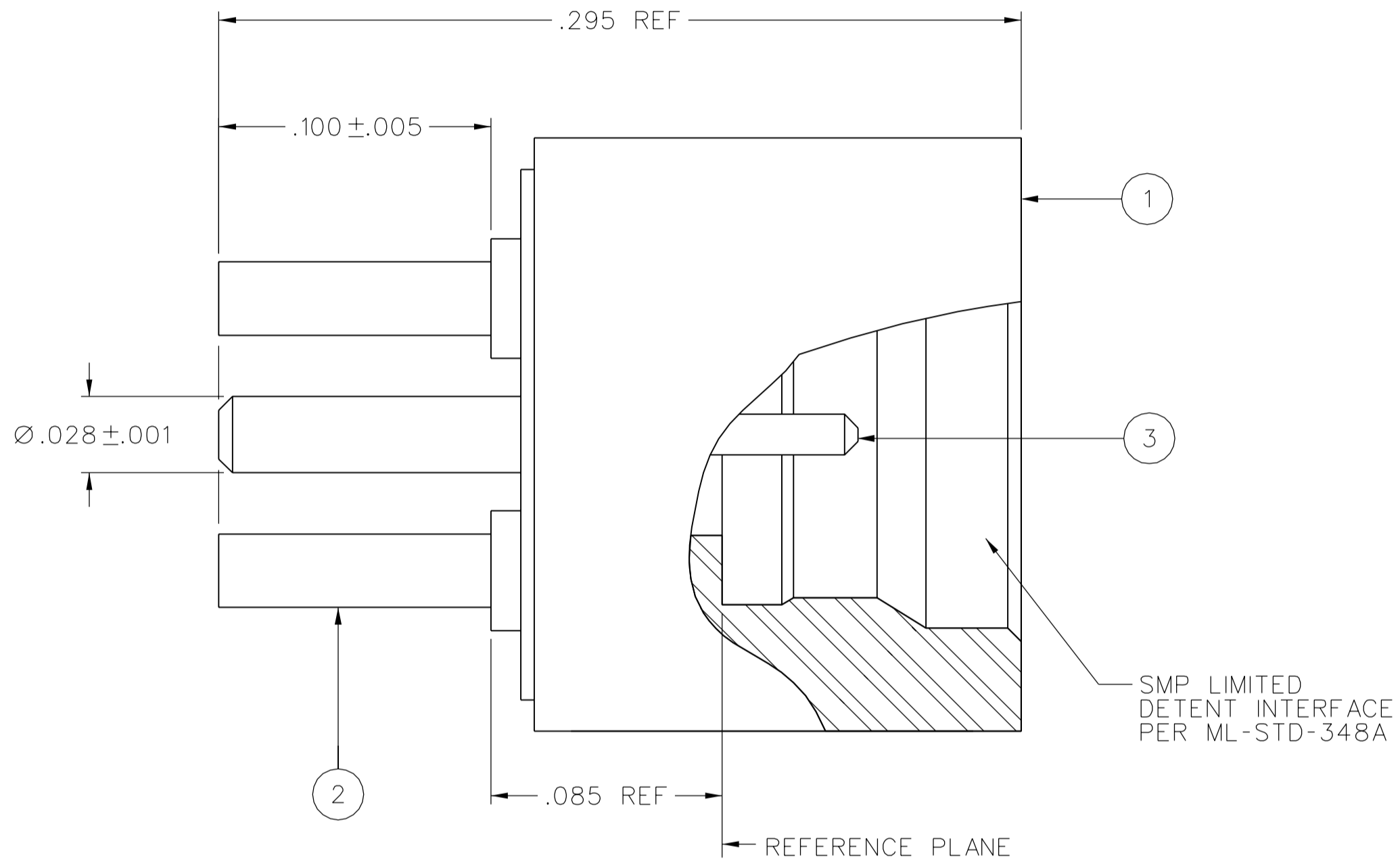
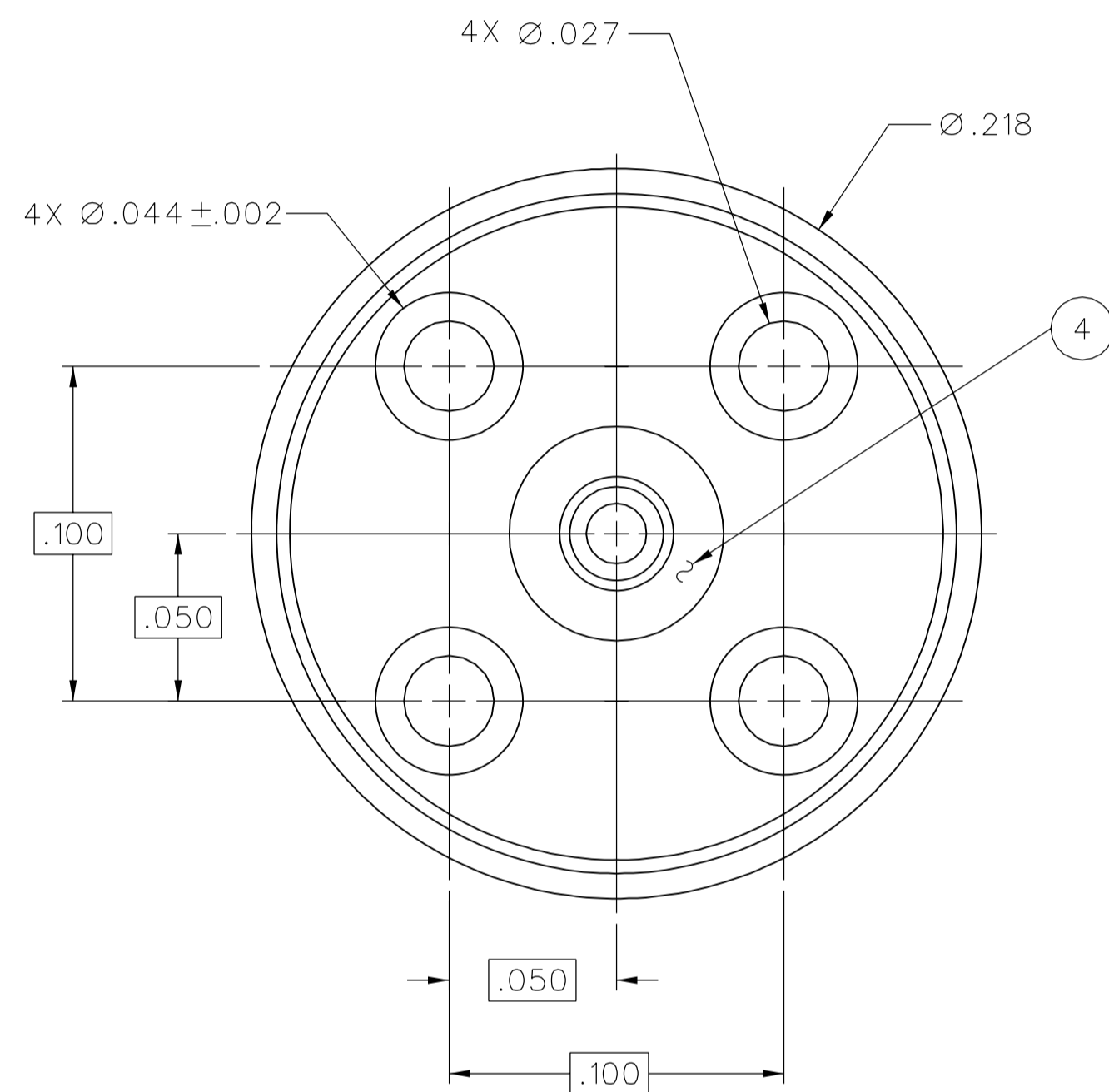


| | | | | |
|-----------------------------|---|---|---|-------------------------------|
| PART NUMBER 142-1701-201 | ITEM ① BODY STAINLESS STEEL PASSIVATED | ITEM ② BASE BRASS GOLD PL .00003 MIN OVER NICKEL PL .00005 MIN OVER COPPER PL .00005 MIN | ITEM ③ CONTACT BERYLLIUM COPPER GOLD PL .00005 MIN OVER NICKEL PL .00005 MIN OVER COPPER PL .00005 MIN | ITEM ④ INSULATOR TEFLON |
|-----------------------------|---|---|---|-------------------------------|

| | |
|-------------------------------------|--|
| DRAWING NO. C - 127-1701-201/210 | |
| 0 | REVISIONS |
| ENGINEERING RELEASE | |
| 1 | 6-11-07 P A T J R K M J U P J D J C N 6-12-07 ECN 51066 |



10:1



NOTES:

1. SPECIFICATIONS:

IMPEDENCE: 50 OHMS NOMINAL
 FREQUENCY RANGE: 0-12 GHz
 VSWR: DEPENDANT ON APPLICATION
 WORKING VOLTAGE: 335 VRMS MAX AT SEA LEVEL
 DIELECTRIC WITHSTANDING VOLTAGE: 500 VRMS MIN AT SEA LEVEL
 INSULATION RESISTANCE: 5000 MEGOHM MIN
 CONTACT RESISTANCE:
 CENTER CONTACT - INITIAL 6.0 MILLIOHM MAX, AFTER ENVIRONMENTAL NOT APPLICABLE
 OUTER CONDUCTOR - INITIAL 2.0 MILLIOHM MAX, AFTER ENVIRONMENTAL NOT APPLICABLE

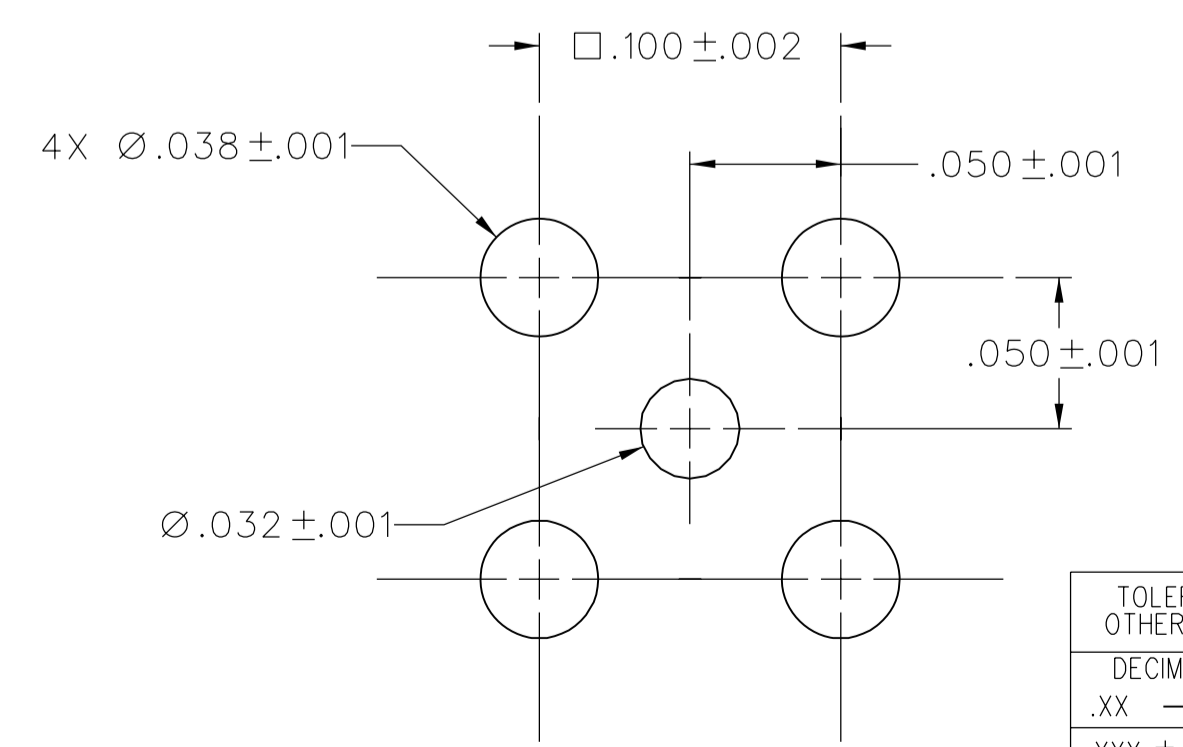
CORONA LEVEL: 190 VOLTS MIN AT 70,000 FEET
 RF HIGH POTENTIAL WITHSTANDING VOLTAGE: 325 VRMS MIN AT 4 AND 7 MHz

MECHANICAL:

INTERFACE DESIGN: IN ACCORDANCE WITH MIL-STD-348A, SERIES SMP, LIMITED DETENT
 ENGAGEMENT FORCE: 10 LBS MAX
 DISENGAGEMENT FORCE: 2 LBS MIN
 CONTACT RETENTION: 1.5 LBS MIN AXIAL FORCE
 DURABILITY: 500 CYCLES MIN

ENVIRONMENTAL:

(MEETS OR EXCEEDS THE APPLICABLE PARAGRAPH OF DSCC DWG NO. 94007)
 OPERATING TEMPERATURE: -65°C TO 165°C
 THERMAL SHOCK: MIL-STD-202, METHOD 107, CONDITION B, EXCEPT 165°C HIGH TEMP
 MECHANICAL SHOCK: MIL-STD-202, METHOD 213, CONDITION I
 CORROSION: MIL-STD-202, METHOD 101, CONDITION B
 VIBRATION: MIL-STD-202, METHOD 204, CONDITION D
 MOISTURE RESISTANCE: MIL-STD-202, METHOD 106, EXCEPT STEP 7B OMITTED




MOUNTING HOLE LAYOUT
15:1

CUSTOMER DRAWING

THIS DRAWING TO BE INTERPRETED PER ASME Y 14.5M - 1994

"μSTATION"

COMPANY CONFIDENTIAL

| | | | | | | |
|--------------------------------------|-------|--------------------|-----------------|---|---|--|
| TOLERANCE UNLESS OTHERWISE SPECIFIED | | DRAWN BY PAT | DATE 6-7-07 |  Cinch CONNECTIVITY SOLUTIONS a bel group | Cinch Connectivity Solutions P.O. Box 1732 Waseca, MN 56093 1-800-247-8256 | |
| DECIMALS | mm | CHECKED BY JRK | DATE 6-11-07 | | TITLE SMP, LIMITED DETENT STRAIGHT PC MOUNT | |
| .XX | _____ | APPROVED BY PDW | DATE 6-11-07 | SHEET 2 OF 2 | | |
| .XXX ±.003 | _____ | RELEASE DATE | 6-12-07 | DRAWING NO. C - 127-1701-201/210 | | |
| MATL | _____ | U/M | INCH | SCALE | 20:1 | |
| FINISH | _____ | | | | | |

Mouser Electronics

Authorized Distributor

Click to View Pricing, Inventory, Delivery & Lifecycle Information:

[Cinch Connectivity Solutions:](#)

[127-1701-201](#)