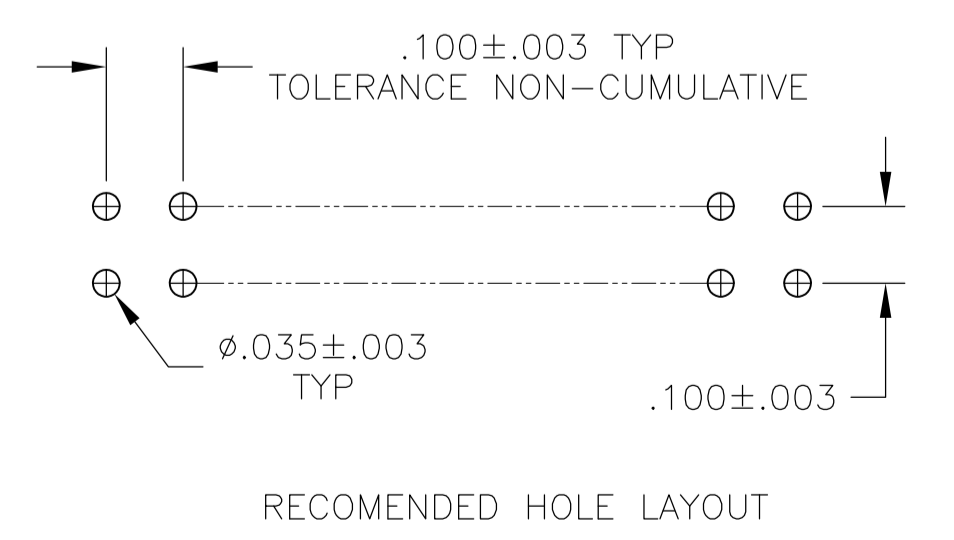
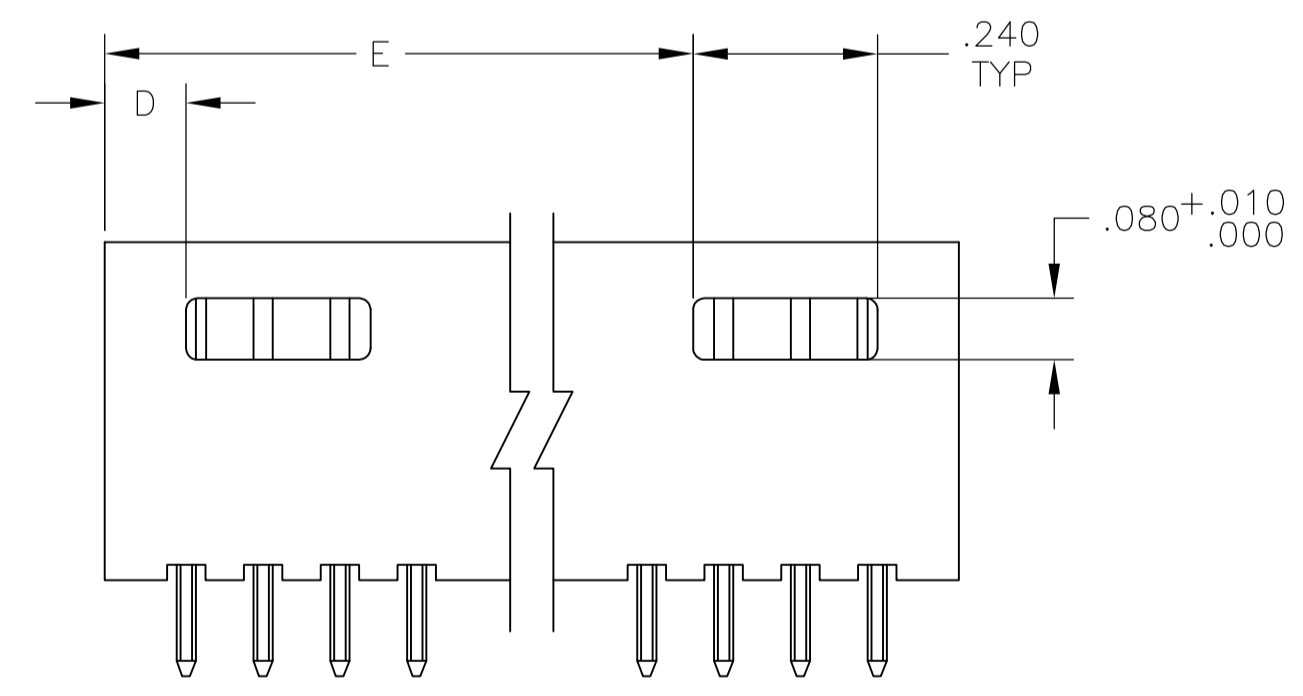
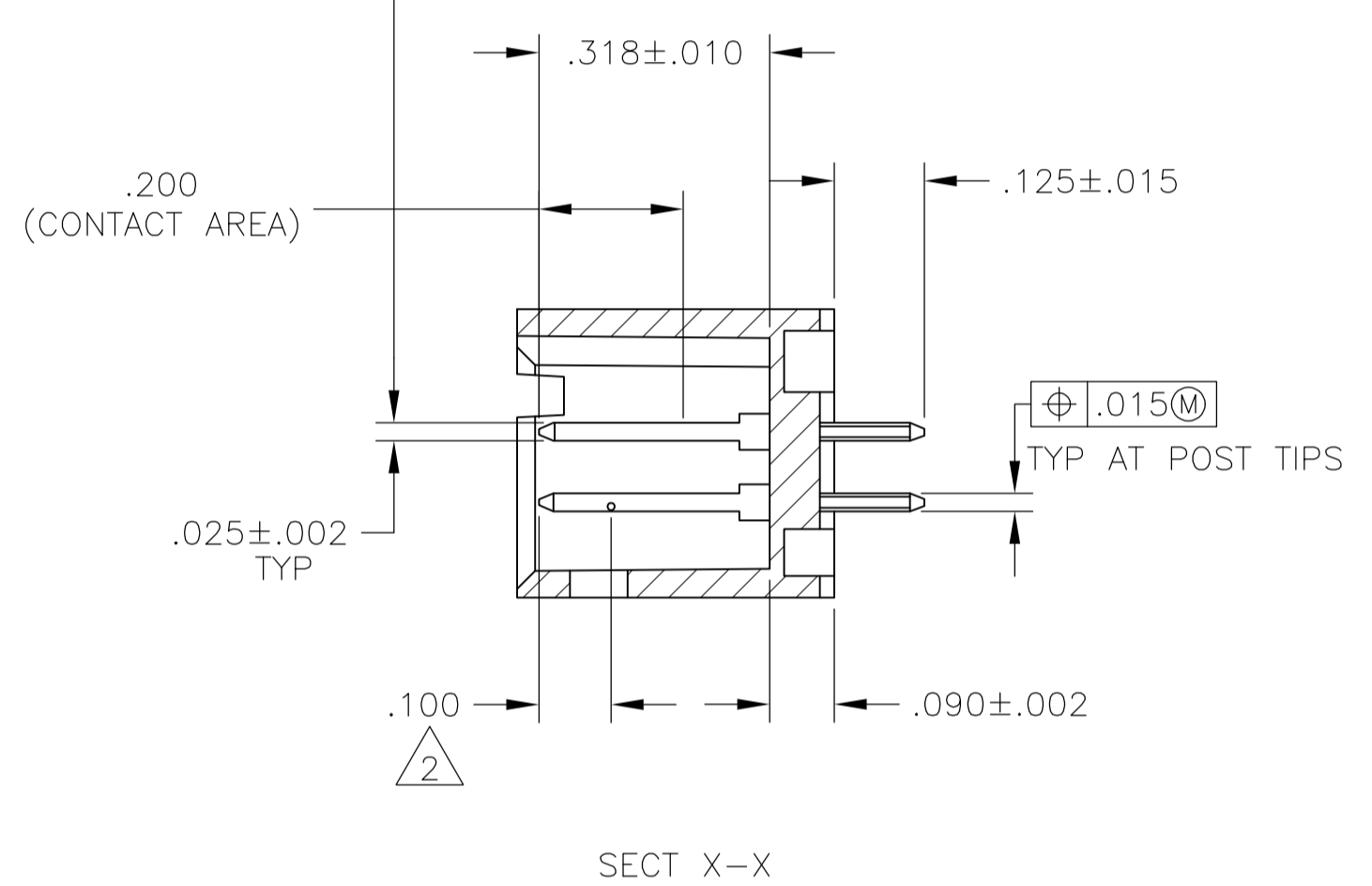
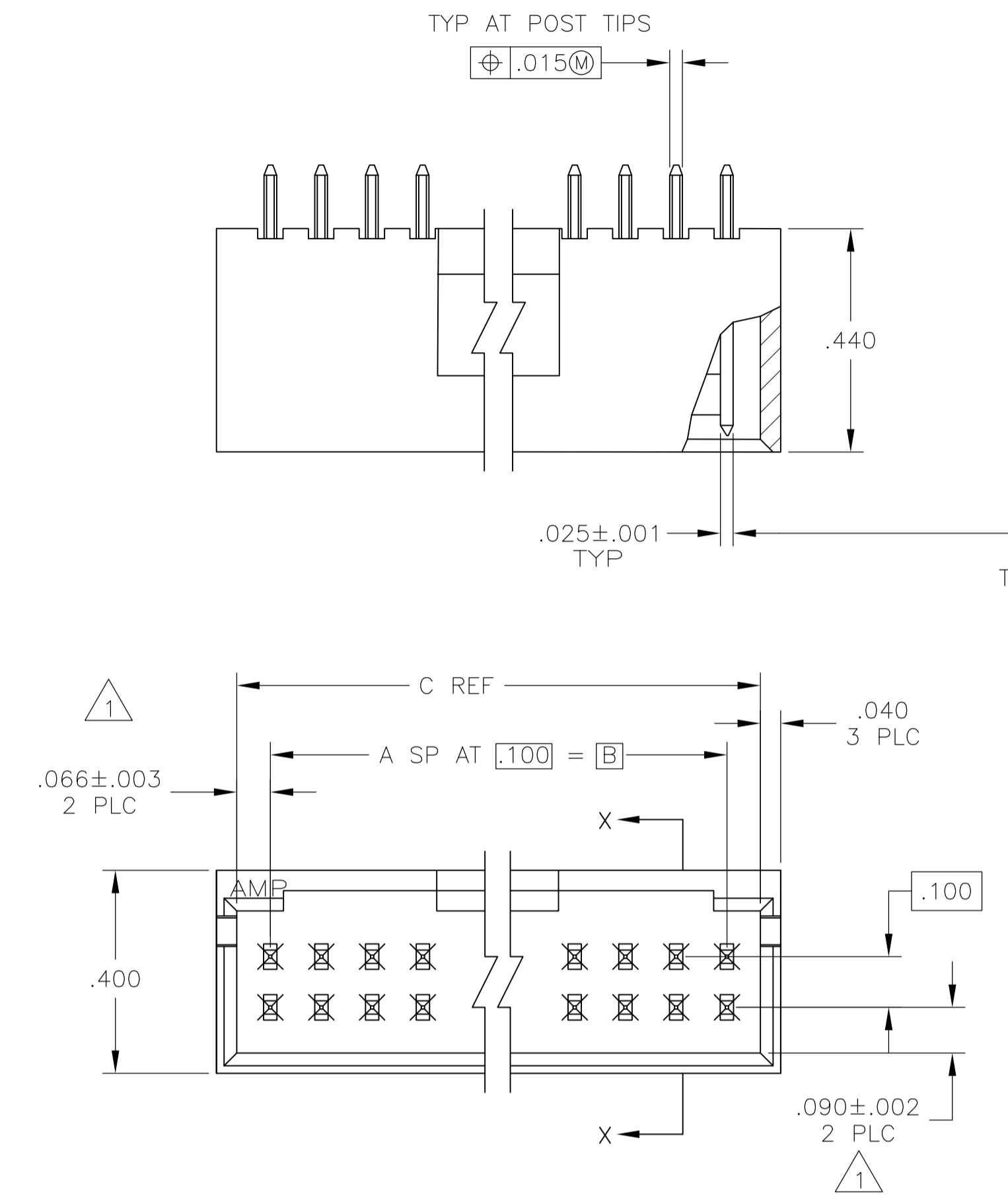


LOC		DIST		REVISIONS			
AD	00	REV	PER	ECO	NO	DATE	BY
L2	REVISED	PER	ECO-11-004587			11MAR11	RK HMR

- 1 THE NOTED DIMENSIONS APPLY AT THE INTERSECTION OF THE POST AND HOUSING
- 2 POINT OF MEASUREMENT FOR PLATING THICKNESS
- 3 FINISH: POSTS: .000015 GOLD IN CONTACT AREA, .000100-.000200 MATTE TIN-LEAD ON SOLDER TAIL, ALL OVER .000050 NICKEL
- 4 FINISH: POSTS: .000015 GOLD IN CONTACT AREA, .000100-.000200 MATTE TIN ON SOLDER TAIL, ALL OVER .000050 NICKEL
- 5 MATERIALS: HOUSING- FLAME RETARDANT THERMOPLASTIC, COLOR-BLACK
POSTS- PHOS BRONZE
- 6 OBSOLETE PARTS: OBSOLETE CIS STREAMLINING PER D.RENAUD/D.SINISI



REV	DESCRIPTION	DATE	BY	APPROV
8	102618-5			
8	102618-4			
8	102618-3			
8	102618-2			
8	102618-1			
8	102618-0			
7	102618-9			
7	102618-8			
7	102618-7			
7	102618-6			
7	102618-5			
7	102618-4			
7	102618-3			
7	102618-2			
7	102618-1			
7	102618-0			
6	102618-9			
6	102618-8			
6	102618-7			
6	102618-6			
6	102618-5			
6	102618-4			
6	102618-3			
6	102618-2			
6	102618-1			
6	102618-0			
5	102618-9			
5	102618-8			
5	102618-7			
5	102618-6			
5	102618-5			
5	102618-4			
5	102618-3			
5	102618-2			
5	102618-1			
5	102618-0			
3	102618-5			
3	102618-4			
3	102618-3			
3	102618-2			
3	102618-1			
3	102618-0			
2	102618-9			
2	102618-8			
2	102618-7			
2	102618-6			
2	102618-5			
2	102618-4			
2	102618-3			
2	102618-2			
2	102618-1			
2	102618-0			
1	102618-9			
1	102618-8			
1	102618-7			
1	102618-6			
1	102618-5			
1	102618-4			
1	102618-3			
1	102618-2			
1	102618-1			
1	102618-0			
1	102618-9			
1	102618-8			
1	102618-7			
1	102618-6			
1	102618-5			
1	102618-4			
1	102618-3			
1	102618-2			
1	102618-1			
1	102618-0			

△ SUP BY 5-102618-9

THIS DRAWING IS A CONTROLLED DOCUMENT.

APPROVED: LA MAYER, 4-9-87

DATE: 4-9-87

NAME: R. FEIDT

PRODUCT SPEC: HDR ASSY, MOD II, SHROUDED, 4 SIDES, DBL ROW, VERTICAL, .100X.100 C/L, WITH .025 SQ POSTS

SIZE: A1

WEIGHT: 100779

RESTRICTED CUSTOMER

SCALE: 4:1

SHEET: 1 OF 1

REV: L2

STE TE Connectivity

Mouser Electronics

Authorized Distributor

Click to View Pricing, Inventory, Delivery & Lifecycle Information:

[TE Connectivity:](#)

[102618-8](#)