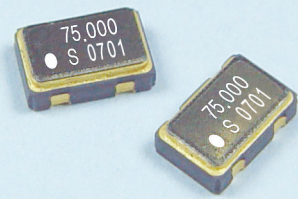


CERAMIC SMD TYPE SCO-53



- Ceramic SMD package
- 1.8 / 2.5 / 3.3 / 5.0 supply voltage
- HCMOS output
- Stability to ± 20 ppm
- Tri-state function available
- Reflow soldering is possible
- Available on tape and reel

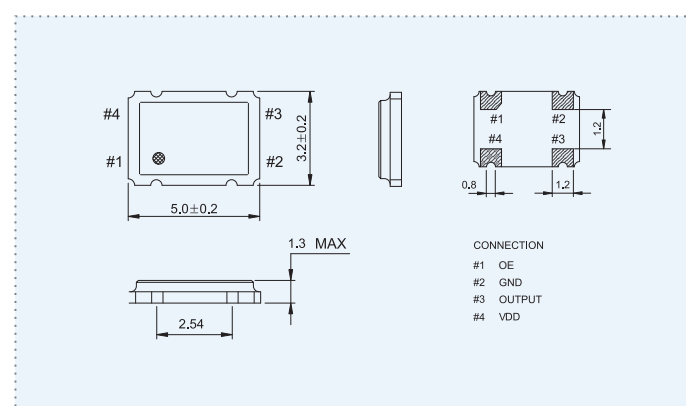
ELECTRICAL SPECIFICATIONS

Frequency Range	1.000 to 40.000MHz(5V), 1.000 to 160MHz(3.3, 2.5, 1.8V)	
Operating Temperature Range	0 to +70 °C or -40 to +85 °C	
Storage Temperature Range	-55 to +125 °C	
Frequency Tolerance / Stability	Inclusive of Operating Temperature Range, Supply Voltage, and Load	± 100 , ± 50 ppm or ± 25 , ± 20 ppm
Supply Voltage(V _{DD})	5.0, 3.3, 2.5, 1.8Vdc $\pm 10\%$	
Input Current	1.000 to 34.999MHz 35.000 to 60.000MHz 60.001 to 99.999MHz 100.000 to 106.250MHz 106.251 to 160.000MHz	25(5V), 16(3.3V), 10(2.5V), 8mA(1.8V) max. 25(3.3V), 20(2.5V), 15mA(1.8V) max. 40(3.3V), 30(2.5V), 25mA(1.8V) max. 50(3.3V), 40(2.5V), 35mA(1.8V) max. 50(3.3V), 40(2.5V), 35mA(1.8V) max.
Output Voltage Logic High(V _{OH})	w/HCMOS Load	90% of V _{DD} min.
Output Voltage Logic Low(V _{OL})	w/HCMOS Load	10% of V _{DD} max.
Rise / Fall Time	1.000 to 160.000MHz	10ns max.
Duty Cycle	at 50% of Waveform w/HCMOS Load or	50 $\pm 10\%$ (STD) 50 $\pm 5\%$ (Optional)
Load Drive Capability	15pF HCMOS Load(STD)	
Output Enable Function	V _{IH} : $\geq 0.7V_{DD}$ V _{IL} : $\leq 0.3V_{DD}$	Enable Output Disable Output : High Impedance
Aging (at 25 °C)	± 3 ppm, ± 5 ppm/year max.	
Start-up Time	10ms max.	
Period Jitter : pk-pk	± 100 ps max.	
Period Jitter : One Sigma	± 25 ps max.	
Phase Jitter(12kHz to 20MHz)	1 ps max.	

Part Numbering Guide

MODEL (PKG TYPE)	SUPPLY VOLTAGE	FREQUENCY STABILITY	OPER-TEMP RANGE	DUTY CYCLE	1PIN CONNETION	PACKING	FREQUENCY (MHZ)
SCO32	5 : 5.0V 3 : 3.3V 2 : 2.5V 1 : 1.8V	20 : ± 20 ppm 25 : ± 25 ppm 50 : ± 50 ppm BLANK : ± 100 ppm *20 : ONLY ± 50 ppm	A : -40 ~ +85 °C B : -20 ~ +70 °C BLANK : 0 ~ +70 °C	D : 45 : 55 BLANK : 40 : 60	S : TRI-STATE H : E/D HIGH L : E/D LOW BLANK : NO-CONNECTION	BLANK : BULK : R : TAPE & REEL	xx.xxx(STD) xx.xxxxxx

MECHANICAL DIMENSIONS (mm)



LAND PATTERN (mm)

