

Spring-loaded test probe

GKS-113 306 300 A 1502

Item GKS-113-0224

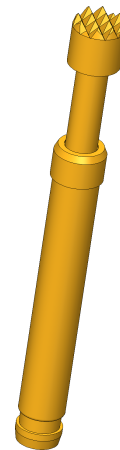


ingun[®]

Partner for Future Technology

- Robust test probes with distinctive collar (stop) on the barrel
- Optimum adjustment of the stroke ratios in the test fixture: The collar is available in different heights, which, in combination with the receptacles, allows a range of installation heights
- Stainless steel versions for temperatures from -100 °C up to +200 °C available

INGUN SELECTION



1:1

Spring-loaded test probe

GKS-113 306 300 A 1502

Item GKS-113-0224



GO TO PRODUCT

ingun®

Partner for Future Technology

General data

Product group	ICT / FCT (in-circuit test and function test)
Sub-product group	Metric standard
Series	GKS-113
Grid	4 mm [157 mil]
Contacting from	Pin, Post, Flat contact
Magnetic	Yes
Installation type	Plug-in
Quick-exchange system	Yes
Adjustable installation height	No
Non-rotating	No
Compatible receptacle(s)	KS-113
Min. temperature	- 40 °C [- 104 °F]
Max. temperature	+ 80 °C [+ 176 °F]
RoHS-compliant	Yes

Electrical data

Current load capacity / rated current	8 A
Typical resistance (Ri)	<30 mOhm

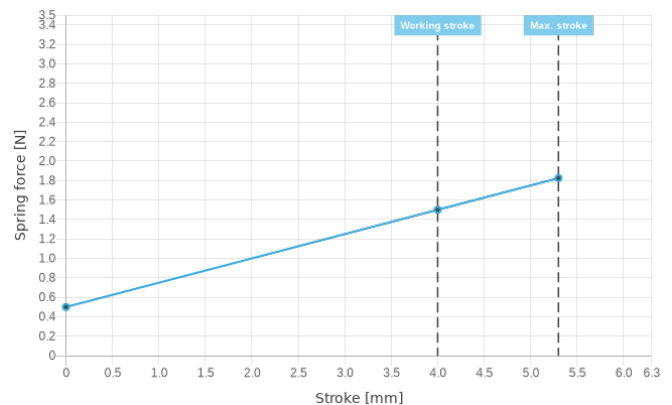
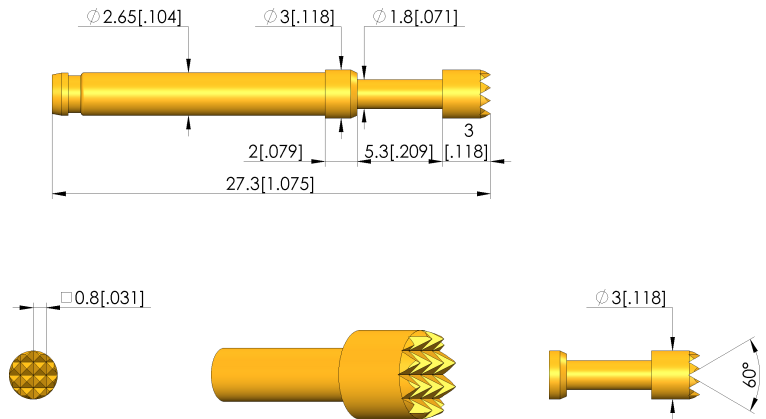
Mechanical data

Total length	27.3 mm [1.07 in]
Barrel diameter	2.65 mm [.104 in]
Maximum stroke	5.3 mm [.208 in]
Spring pre-load	0.5 N [1.79 ozf]
Collar height	02
Spring force at working stroke	1.5 N [5.39 ozf]
Recommended working stroke	4 mm [.157 in]

Tip style data

Tip style	06 serrated
Tip diameter	3 mm [.118 in]
Tip style surface	A gold
Tip style material	3 CuBe

INGUN SELECTION



INGUN Prüfmittelbau GmbH

Max-Stromeyer-Straße 162
78467, Constance, Germany
Phone +49 7531 8105-0
Customer hotline +49 7531 8105-888
Fax +49 7531 8105-65
info@ingun.com



Prices and delivery times on request.
Technical changes reserved. 11/22 EN

Weitere Informationen zum Thema
ICT/FCT Test probes

