

Data Sheet | Item Number: 216-286

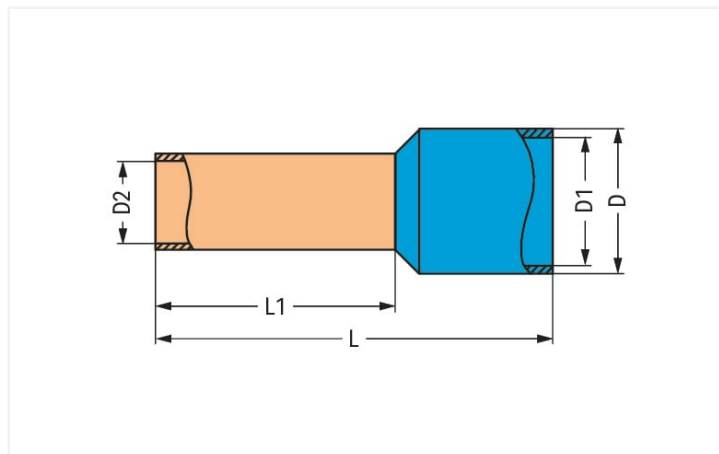
Ferrule; Sleeve for 2.5 mm² / AWG 14; insulated; electro-tin plated; electrolytic copper; gastight crimped; acc. to DIN 46228, Part 4/09.90; blue

<https://www.wago.com/216-286>



Color: ■ blue

Similar to illustration



Dimensions in mm

Technical data

Main product function	Ferrule
Sleeve cross-section (AWG)	14 AWG
Sleeve for	2.5 mm ²

Connection data

Strip length	20 mm / 0.79 inches
--------------	---------------------

Physical data

Length	25 mm
Length 1	18 mm
Diameter	4.7 mm
Diameter 1	4.2 mm
Diameter 2	2.2 mm

Mechanical Data

Suitable	2010 to 2016 Series
----------	---------------------

Material Data

Color	blue
Fire load	0 MJ
Weight	0 g

Commercial data

PU (SPU)	1000 pcs
Packaging type	Box
Country of origin	DE
GTIN	4044918604321
Customs tariff number	85369010000

Downloads

Environmental Product Compliance

Compliance Search

Environmental Product Compliance 216-286	
------------------------------------------	--

Documentation

Bid Text

216-286	19.02.2019	xml 2.80 KB	
216-286	11.09.2017	doc 24.00 KB	

Installation Notes

