

Sede per vite  
autofilettante  
M2.9x13  
Hole for self-tapping  
screw M2.9x13

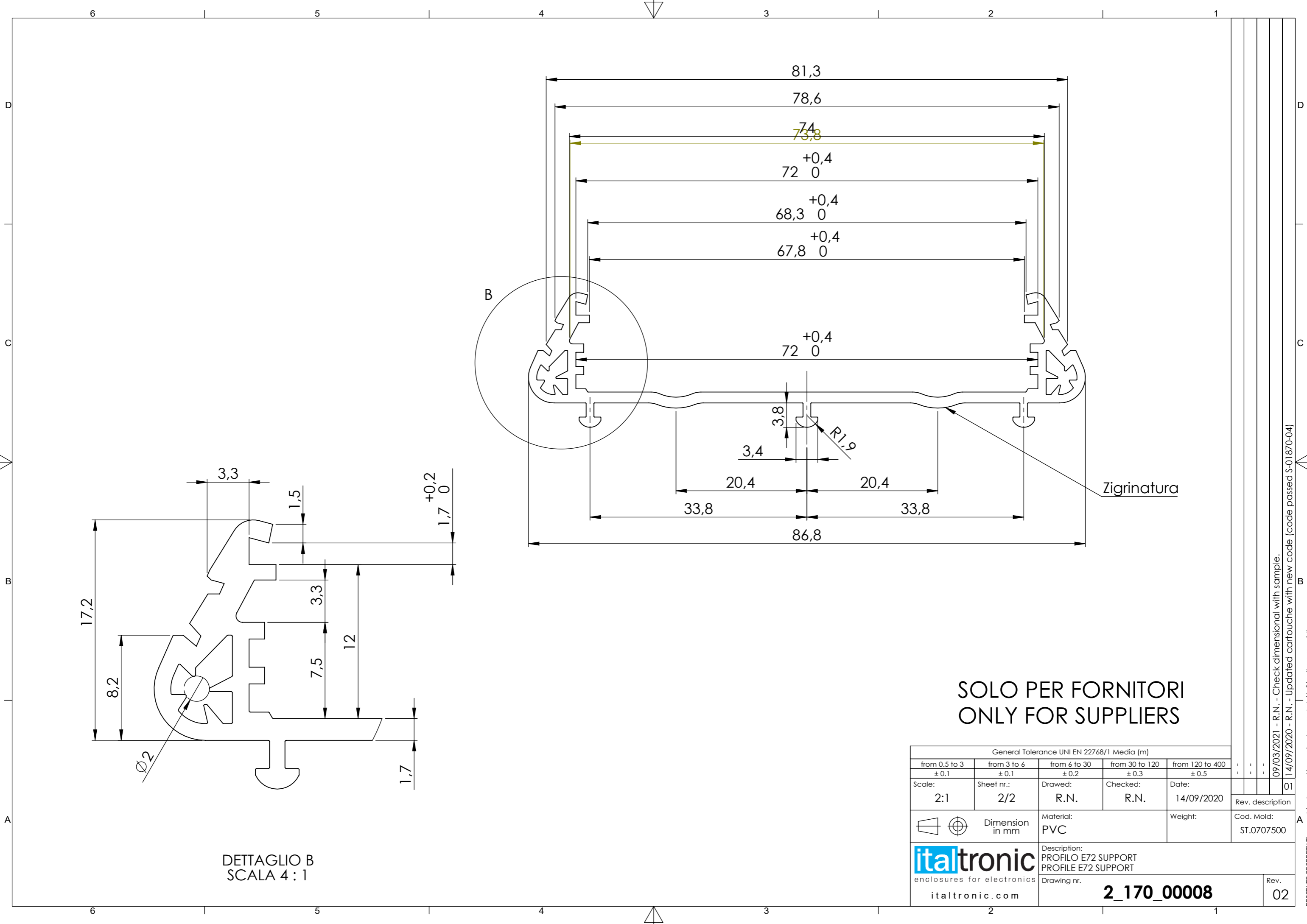
Zigrinatura/Knurling

DETTAGLIO A  
SCALA 4:1

General Tolerance UNI EN 22768/1 Media (m)				
from 0.5 to 3	from 3 to 6	from 6 to 30	from 30 to 120	from 120 to 400
± 0.1	± 0.1	± 0.2	± 0.3	± 0.5
Scale: 2:1	Sheet nr.: 1/2	Drawn: R.N.	Checked: R.N.	Date: 14/09/2020
Dimension in mm		Material: PVC	Weight:	Cod. Mold: ST.0707500
 enclosures for electronics italtronic.com		Description: PROFILO E72 SUPPORT PROFILO E72 SUPPORT Drawing nr.		Rev. description 01 Rev. 02
				<b>2_170_00008</b>

09/03/2021 - R.N. - Check dimensional with sample.  
14/09/2020 - R.N. - Updated cartouche with new code (code passed S-01870-04)

RESERVED PROPERTY: The present drawing cannot be reproduced or communicated to 3d parties, even partially, without the authorization of ITALTRONIC Srl. Italtronic reserves to protect its own rights according to the law.



SOLO PER FORNITORI  
ONLY FOR SUPPLIERS

General Tolerance UNI EN 22768/1 Media (m)				
from 0.5 to 3	from 3 to 6	from 6 to 30	from 30 to 120	from 120 to 400
± 0.1	± 0.1	± 0.2	± 0.3	± 0.5
Scale: 2:1	Sheet nr.: 2/2	Drawn: R.N.	Checked: R.N.	Date: 14/09/2020
Dimension in mm		Material: PVC	Weight:	Cod. Mold: ST.0707500
 enclosures for electronics italtronic.com		Description: PROFILO E72 SUPPORT PROFILE E72 SUPPORT Drawing nr. <b>2_170_00008</b>		Rev. 02

DETTAGLIO B  
SCALA 4 : 1

09/03/2021 - R.N. - Check dimensional with sample.  
 14/09/2020 - R.N. - Updated cartouche with new code (code passed S-01870-04)  
 RESERVED PROPERTY: The present drawing cannot be reproduced or communicated to 3d parties, even partially, without the authorization of ITALTRONIC Srl. Italtronic reserves to protect its own rights according to the law.