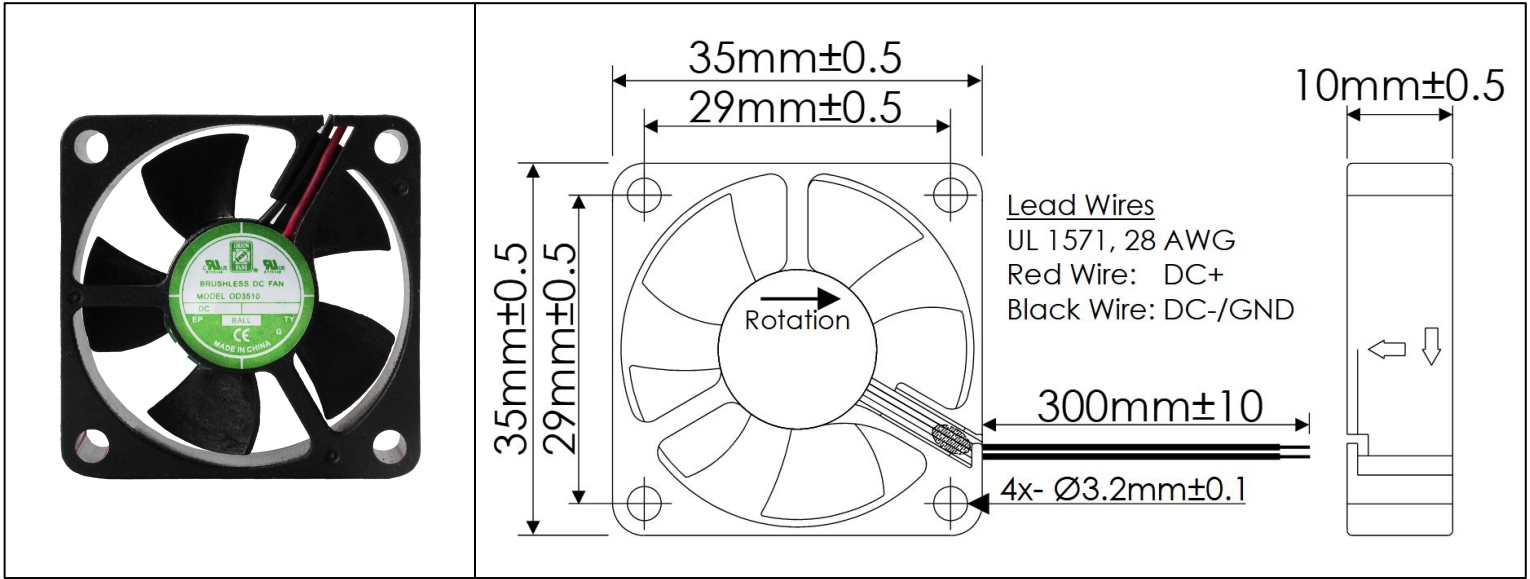


OD3510 5 Volt Series



DC Fans - 5V
35mm x 10mm (1.38" x 0.40")



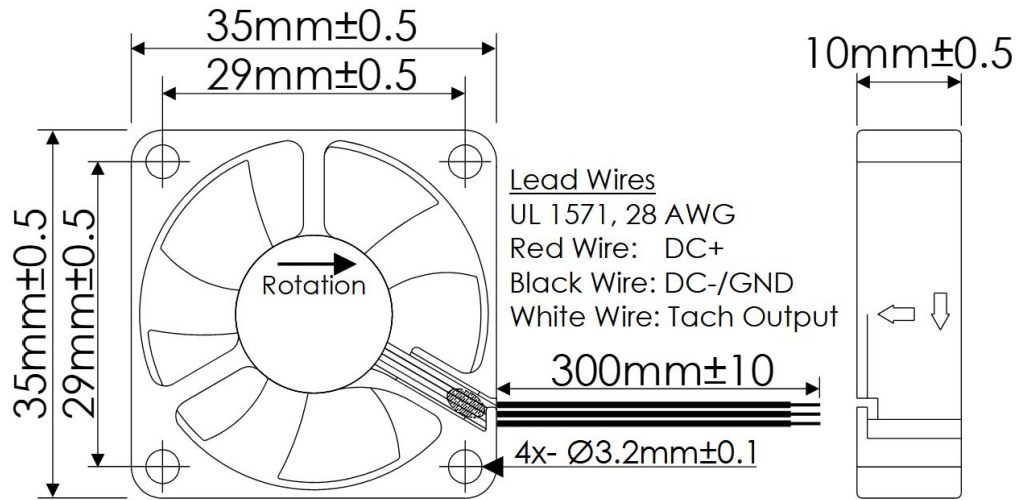
| | | | |
|------------------------------|---|--|--|
| Frame | PBT, UL94 V-0 Plastic | <u>Operating Temperature</u> -20°C ~ +65°C <u>Storage Temperature</u> -20°C ~ +75°C <u>Life Expectancy</u> 70,000 Hours (L10 at 40°C) <u>Available Options</u> PWM Speed Control Input 0-10V Speed Control Input Tachometer Output Alarm Output IP Ratings Other Speeds Weight: 0.02 lbs. | |
| Impeller | PBT, UL94 V-0 Plastic | | |
| Connection | 2x Wire Leads, 28 AWG | | |
| Motor | Brushless DC, Auto Cutoff, Auto Restart, Electronically Protected | | |
| Bearing System | Ball Bearings | | |
| Dielectric Strength | 500VDC/min, <1mA | | |
| Insulation Resistance | ≥10M Ohm @ 500 VDC | | |

| Part Number | Rated Voltage (Volts DC) | Voltage Range (Volts DC) | Input Power (Watts) | Rated Current (Amps) | Rated Speed (RPM) | Max Airflow (CFM) | Noise Level (dBA) | Max Static Pressure ("H ₂ O) |
|--------------|--------------------------|--------------------------|---------------------|----------------------|-------------------|-------------------|-------------------|---|
| OD3510-05HB | 5 | 4.5 ~ 5.5 | 1.00 | 0.20 | 9400 | 7.2 | 38.0 | 0.18 |
| OD3510-05MB | 5 | 4.5 ~ 5.5 | 0.65 | 0.13 | 7900 | 5.1 | 34.1 | 0.13 |
| OD3510-05LLB | 5 | 4.5 ~ 5.5 | 0.30 | 0.06 | 4500 | 2.9 | 20.5 | 0.04 |

OD3510 5 Volt Series with Tachometer

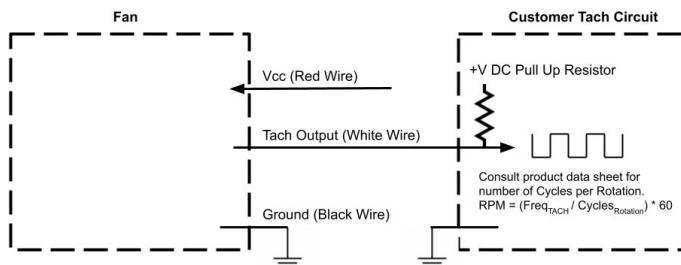


DC Fans - 5V
35mm x 10mm (1.38" x 0.40")



| | | | |
|------------------------------|---|--|--|
| Frame | PBT, UL94 V-0 Plastic | Operating Temperature -20°C ~ +65°C | |
| Impeller | PBT, UL94 V-0 Plastic | Storage Temperature -20°C ~ +75°C | |
| Connection | 3x Wire Leads, 28 AWG | Life Expectancy 70,000 Hours (L10 at 40°C) | |
| Motor | Brushless DC, Auto Cutoff, Auto Restart, Electronically Protected | Installed Options Open Collector Tach Output | |
| Bearing System | Ball Bearings | Available Options 5V TTL Tachometer | |
| Dielectric Strength | 500VDC/min, <1mA | Weight: 0.02 lbs. | |
| Insulation Resistance | ≥10M Ohm @ 500 VDC | | |

| Part Number | Rated Voltage (Volts DC) | Voltage Range (Volts DC) | Input Power (Watts) | Rated Current (Amps) | Rated Speed (RPM) | Max Airflow (CFM) | Noise Level (dBA) | Max Static Pressure ("H ₂ O) |
|-----------------|--------------------------|--------------------------|---------------------|----------------------|-------------------|-------------------|-------------------|---|
| OD3510-05HB01A | 5 | 4.5 ~ 5.5 | 1.00 | 0.20 | 9400 | 7.2 | 38.0 | 0.18 |
| OD3510-05MB01A | 5 | 4.5 ~ 5.5 | 0.65 | 0.13 | 7900 | 5.1 | 34.1 | 0.13 |
| OD3510-05LLB01A | 5 | 4.5 ~ 5.5 | 0.30 | 0.06 | 4500 | 2.9 | 20.5 | 0.04 |

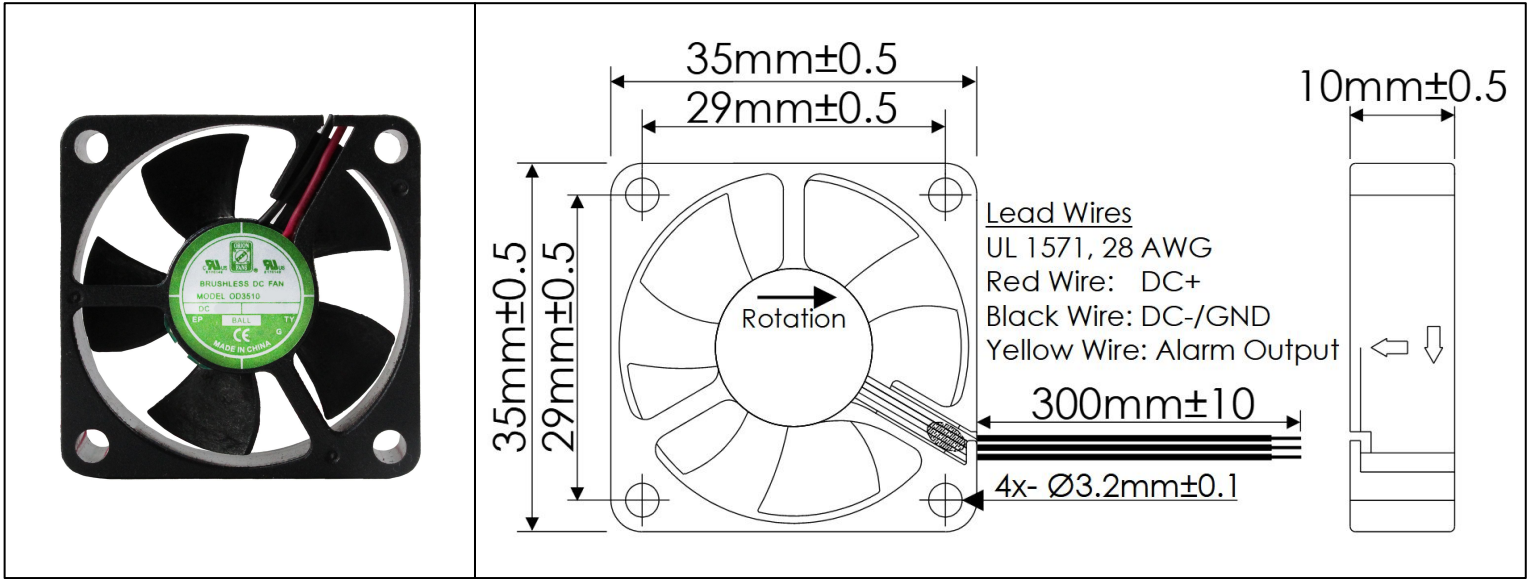


Tach Max Pullup Voltage: Fan Vcc
Tach Max Sink Current: 5mA
Tach Cycles per Rotation: 4

OD3510 5 Volt Series with Alarm

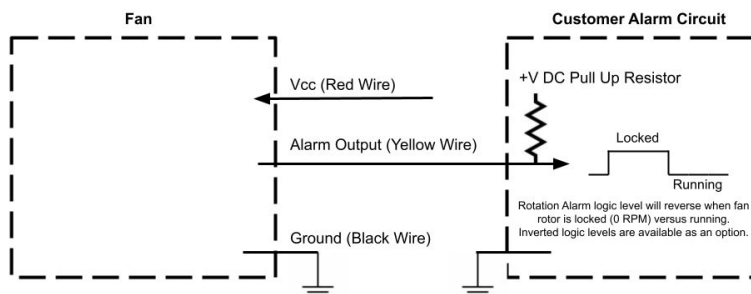


DC Fans - 5V
35mm x 10mm (1.38" x 0.40")



| | | | |
|------------------------------|---|--|--|
| Frame | PBT, UL94 V-0 Plastic | Operating Temperature -20°C ~ +65°C Storage Temperature -20°C ~ +75°C Life Expectancy 70,000 Hours (L10 at 40°C) Installed Options Open Collector Alarm Output Available Options 5V TTL Alarm Inverted Alarm Logic Weight: 0.02 lbs. | |
| Impeller | PBT, UL94 V-0 Plastic | | |
| Connection | 3x Wire Leads, 28 AWG | | |
| Motor | Brushless DC, Auto Cutoff, Auto Restart, Electronically Protected | | |
| Bearing System | Ball Bearings | | |
| Dielectric Strength | 500VDC/min, <1mA | | |
| Insulation Resistance | ≥10M Ohm @ 500 VDC | | |

| Part Number | Rated Voltage (Volts DC) | Voltage Range (Volts DC) | Input Power (Watts) | Rated Current (Amps) | Rated Speed (RPM) | Max Airflow (CFM) | Noise Level (dBA) | Max Static Pressure ("H ₂ O) |
|-----------------|--------------------------|--------------------------|---------------------|----------------------|-------------------|-------------------|-------------------|---|
| OD3510-05HB02A | 5 | 4.5 ~ 5.5 | 1.00 | 0.20 | 9400 | 7.2 | 38.0 | 0.18 |
| OD3510-05MB02A | 5 | 4.5 ~ 5.5 | 0.65 | 0.13 | 7900 | 5.1 | 34.1 | 0.13 |
| OD3510-05LLB02A | 5 | 4.5 ~ 5.5 | 0.30 | 0.06 | 4500 | 2.9 | 20.5 | 0.04 |

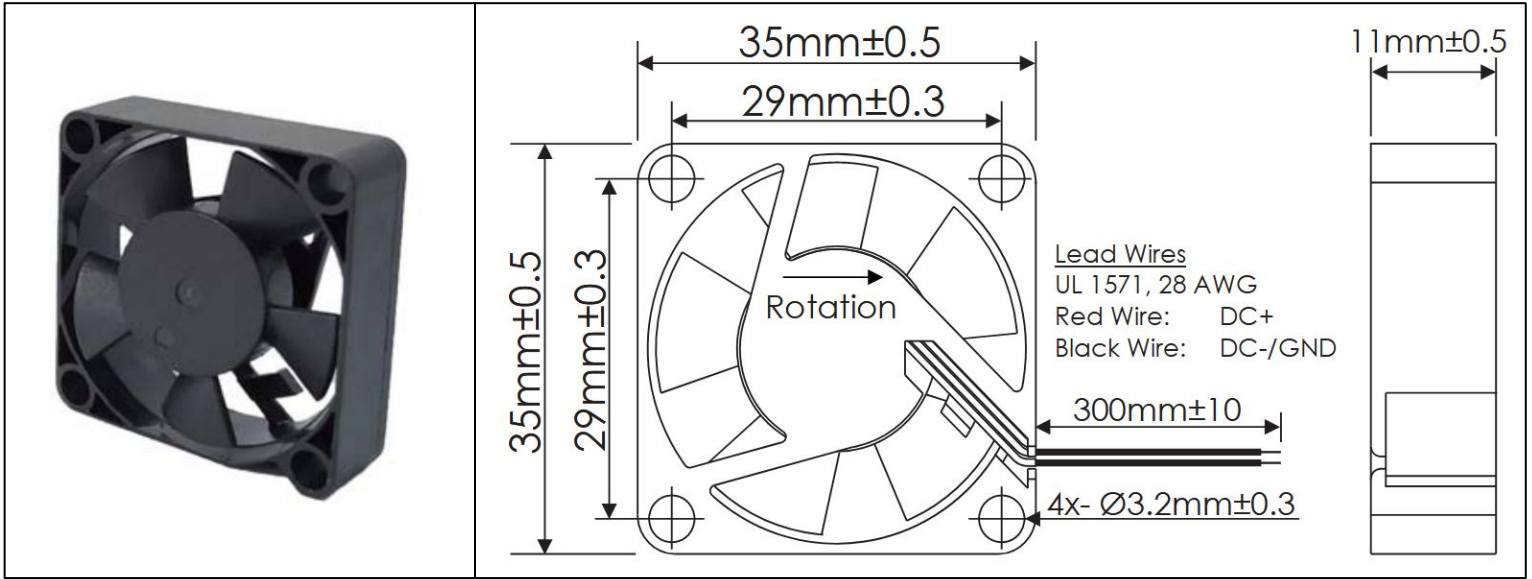


Alarm Max Pullup Voltage: Fan Vcc
 Alarm Max Sink Current: 5mA
 Alarm Active Logic State: HIGH

OD3510 12 Volt Series



DC Fans - 12V
35mm x 11mm (1.38" x 0.43")



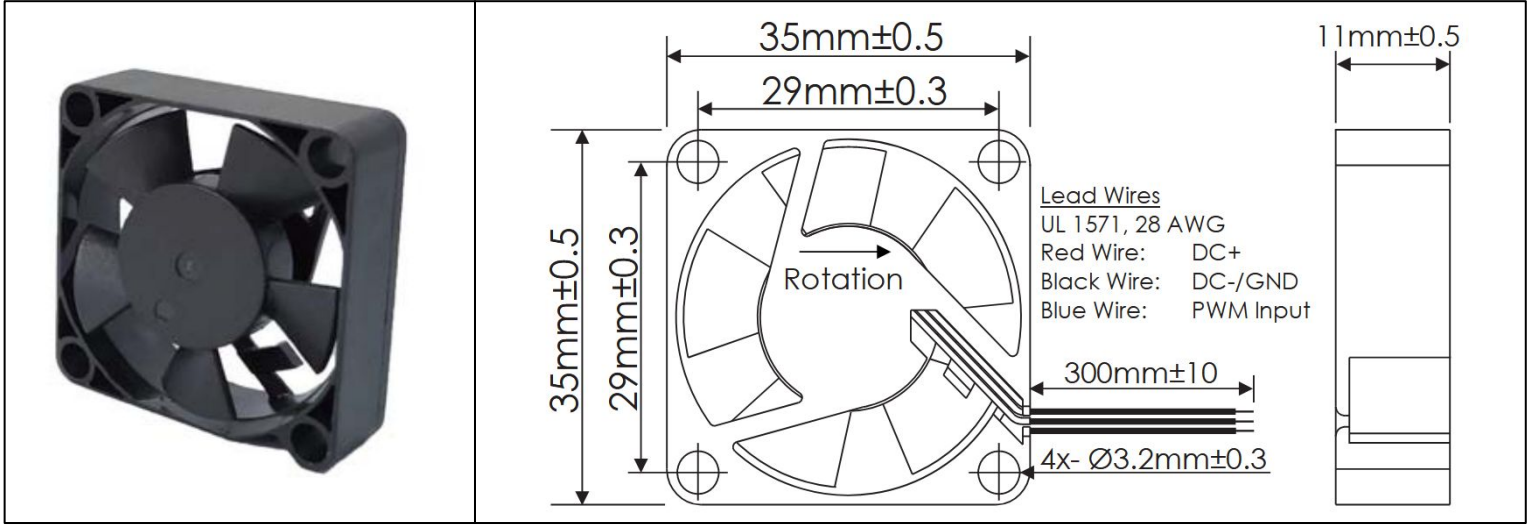
| | | | |
|-----------------------|---|---|--|
| Frame | PBT, UL94 V-0 Plastic | <u>Operating Temperature</u> -20°C ~ +65°C <u>Storage Temperature</u> -20°C ~ +75°C <u>Life Expectancy</u> 70,000 Hours (L10 at 40°C) <u>Available Options</u> PWM Speed Control Input Tachometer Output Alarm Output IP Ratings Other Speeds Weight: 0.03 lbs. | |
| Impeller | PBT, UL94 V-0 Plastic | | |
| Connection | 2x Wire Leads, 28 AWG | | |
| Motor | Brushless DC, Auto Cutoff, Auto Restart, Electronically Protected, Polarity Protected | | |
| Bearing System | Ball Bearings | | |
| Dielectric Strength | 500VDC/min, <1mA | | |
| Insulation Resistance | ≥10M Ohm @ 500 VDC | | |

| Part Number | Rated Voltage (Volts DC) | Voltage Range (Volts DC) | Input Power (Watts) | Rated Current (Amps) | Rated Speed (RPM) | Max Airflow (CFM) | Noise Level (dBA) | Max Static Pressure ("H ₂ O) |
|-------------|--------------------------|--------------------------|---------------------|----------------------|-------------------|-------------------|-------------------|---|
| OD3510-12HB | 12 | 11 ~ 13.8 | 1.44 | 0.12 | 8950 | 6.2 | 28.4 | 0.22 |
| OD3510-12MB | 12 | 11 ~ 13.8 | 1.32 | 0.11 | 7925 | 5.4 | 25.2 | 0.18 |
| OD3510-12LB | 12 | 11 ~ 13.8 | 0.96 | 0.08 | 5975 | 3.1 | 20.1 | 0.10 |

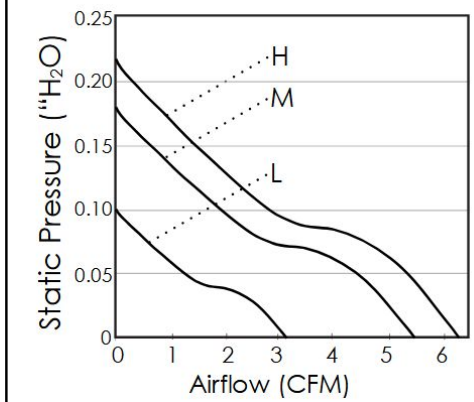
OD3510 12 Volt Series with PWM Speed Control



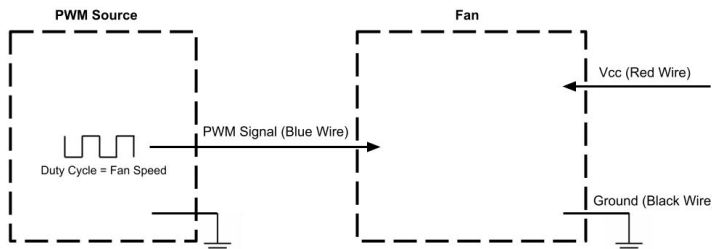
DC Fans - 12V
35mm x 11mm (1.38" x 0.43")



| | | |
|------------------------------|---|--|
| Frame | PBT, UL94 V-0 Plastic | Operating Temperature -20°C ~ +65°C |
| Impeller | PBT, UL94 V-0 Plastic | |
| Connection | 3x Wire Leads, 28 AWG | Storage Temperature -20°C ~ +75°C |
| Motor | Brushless DC, Auto Cutoff, Auto Restart, Electronically Protected, Polarity Protected | |
| Bearing System | Ball Bearings | Life Expectancy 70,000 Hours (L10 at 40°C) |
| Dielectric Strength | 500VDC/min, <1mA | Installed Options PWM Speed Control Input |
| Insulation Resistance | ≥10M Ohm @ 500 VDC | Available Options IP Ratings Other Speeds |
| | | Weight: 0.03 lbs. |



| Part Number | Rated Voltage (Volts DC) | Voltage Range (Volts DC) | Input Power (Watts) | Rated Current (Amps) | Rated Speed (RPM) | Max Airflow (CFM) | Noise Level (dBA) | Max Static Pressure ("H ₂ O) |
|---------------|--------------------------|--------------------------|---------------------|----------------------|-------------------|-------------------|-------------------|---|
| OD3510-12HB05 | 12 | 11 ~ 13.8 | 1.44 | 0.12 | 8950 | 6.2 | 28.4 | 0.22 |
| OD3510-12MB05 | 12 | 11 ~ 13.8 | 1.32 | 0.11 | 7925 | 5.4 | 25.2 | 0.18 |
| OD3510-12LB05 | 12 | 11 ~ 13.8 | 0.96 | 0.08 | 5975 | 3.1 | 20.1 | 0.10 |



PWM Maximum High Voltage: 5V
 PWM Minimum High Voltage: >2.7V
 PWM Max Sink Current: 5mA
 PWM Frequency Range: 1KHz-100KHz
 PWM Typical Frequency: 25KHz
 RPM at 0% Duty Cycle: 0 RPM
 RPM will be full speed if PWM input is disconnected.
 RPM will be 0 RPM if PWM input is grounded.

Mouser Electronics

Authorized Distributor

Click to View Pricing, Inventory, Delivery & Lifecycle Information:

[Orion Fans:](#)

[OD3510-05LLB](#) [OD3510-12MB02A](#) [OD3510-05MB01A](#) [OD3510-12MB](#) [OD3510-05MB](#) [OD3510-12LLB](#) [OD3510-05HB](#)