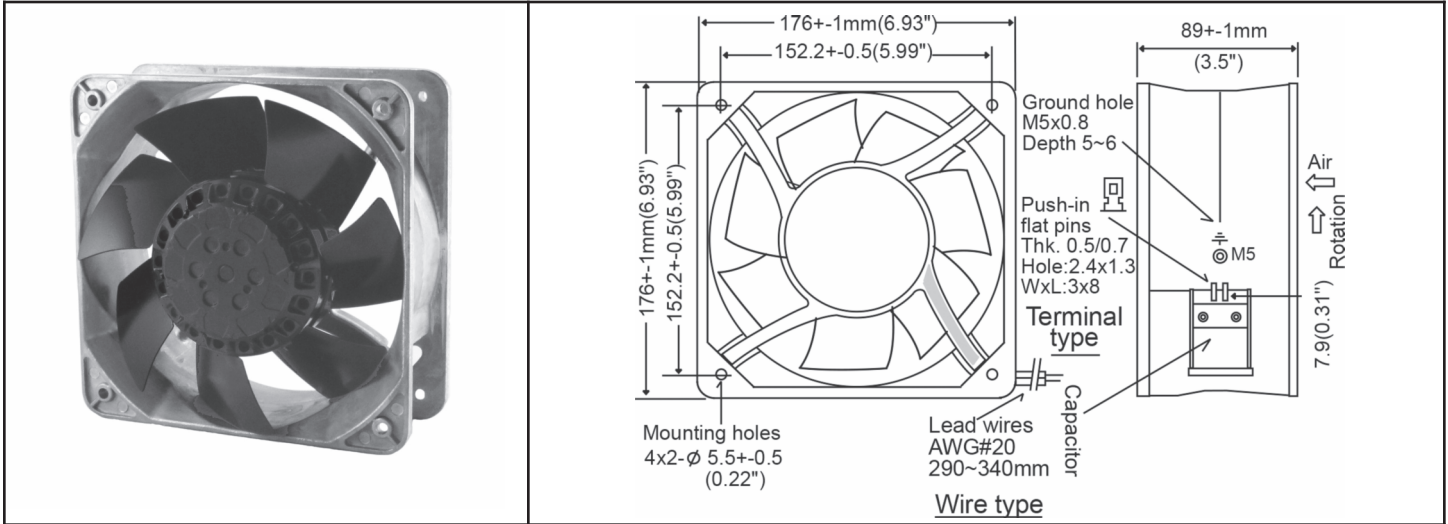


OA180AN Series - All Metal



AC Fan - 115V, 230V
176 x 89mm (6.9" x 3.5")



Frame	Diecast Aluminum	Operating Temperature Ball Bearing -30C ~ +80C (non-condensing) Storage Temp -40C ~ +100C Life Expectancy Ball Bearing 50,000 hours (L10 at 55C) Environmental Protection IP56 Weight: ~ 4.1 lbs m0	
Impeller	Metal Alloy		
Connection	2x Lead Wires 20 AWG or terminals		
Motor	AC Capacitor Inductance, thermally protected		
Bearing System	Dual ball bearing		
Insulation Resistance	>100M ohm between lead-wire and frame (500VDC)		
Dielectric Strength	1 min at 1500 VAC, 50/60Hz		

Model Number	Speed (RPM)	Airflow (CFM)	Noise (dB)	Volts AC	Voltage Range	Watts	Max. Static Pressure ("H ₂ O)	Curves
OA180AN-11-1 * 1856	2750 3250	330 380	63	115	100~120	60 80	0.69 0.76	2 (50Hz) 1 (60Hz)
OA180AN-11-2 * 1856	2350 2250	285 275	52	115	100~120	55 65	0.59 0.53	4 (50Hz) 3 (60Hz)
OA180AN-11-3 * 1856	1450 1650	175 210	41	115	100~120	20 30	0.36 0.39	6 (50Hz) 5 (60Hz)
OA180AN-22-1 * 1856	2750 3250	330 380	63	230	200~240	60 80	0.69 0.76	2 (50Hz) 1 (60Hz)
OA180AN-22-2 * 1856	2350 2250	285 275	52	230	200~240	55 65	0.59 0.53	4 (50Hz) 3 (60Hz)
OA180AN-22-3 * 1856	1450 1650	175 210	41	230	200~240	20 30	0.36 0.39	6 (50Hz) 5 (60Hz)

* Indicate "TB" for terminal type or "WB" for lead wires

Mouser Electronics

Authorized Distributor

Click to View Pricing, Inventory, Delivery & Lifecycle Information:

Orion Fans:

[OA180AN-11-1TB1856](#) [OA180AN-22-1TB1856](#) [OA180AN-22-1WB1856](#) [OA180AN-11-1WB1856](#) [OA180AN-11-3TB1856](#) [OA180AN-22-3TB1856](#) [OA180AN-11-2WB1856](#) [OA180AN-11-2TB1856](#) [OA180AN-22-2WB1856](#) [OA180AN-22-3WB1856](#) [OA180AN-22-2TB1856](#) [OA180AN-11-3WB1856](#)