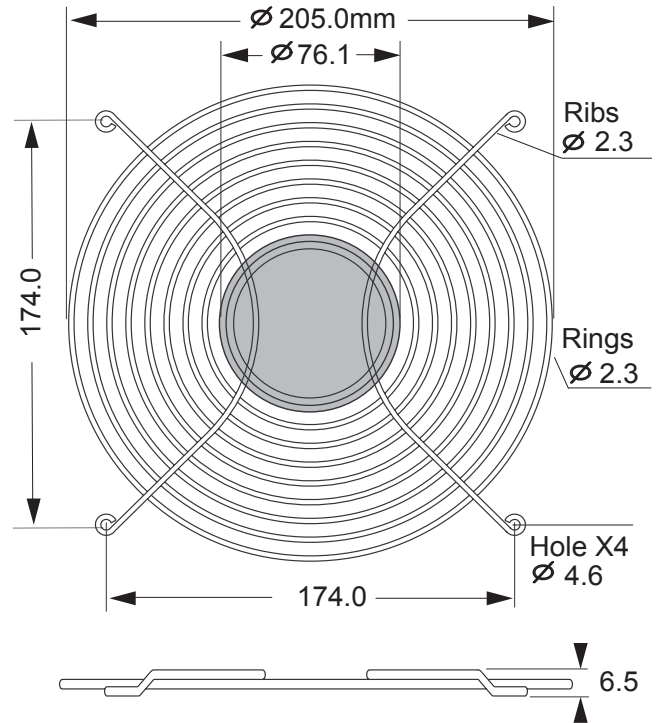
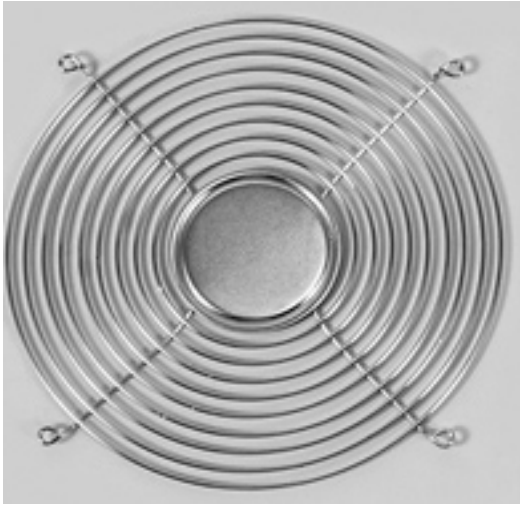


# Part No. G205-8D



## Fan Guard for 205mm Fan

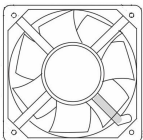


### NOTES:

1. MATERIAL:C1008 BRIGHT BASIC WIRE
2. FINISH:BRIGHT NICKEL CHROME
3. RINGS: 2.3MM dia. / RIBS: 2.3MM dia
4. WELDS TO WITHSTAND 88LBS PULL FORCE
5. GENERAL TOLERANCE UNLESS NOTED +/-0.5MM
6. PART MEETS 6.35MM PLUG GAUGE TEST
7. UNIT: MM

| Part Number | Description            |
|-------------|------------------------|
| G205-8D     | 205mm fan guard, metal |

### Matching Fan Series



OA205AN

10557 Metric Drive  
Dallas, Texas 75243  
214-340-0265



OrionFans.com  
Information and data is subject to  
change without prior notification.

# Mouser Electronics

Authorized Distributor

Click to View Pricing, Inventory, Delivery & Lifecycle Information:

[Orion Fans:](#)

[G205-8D](#)