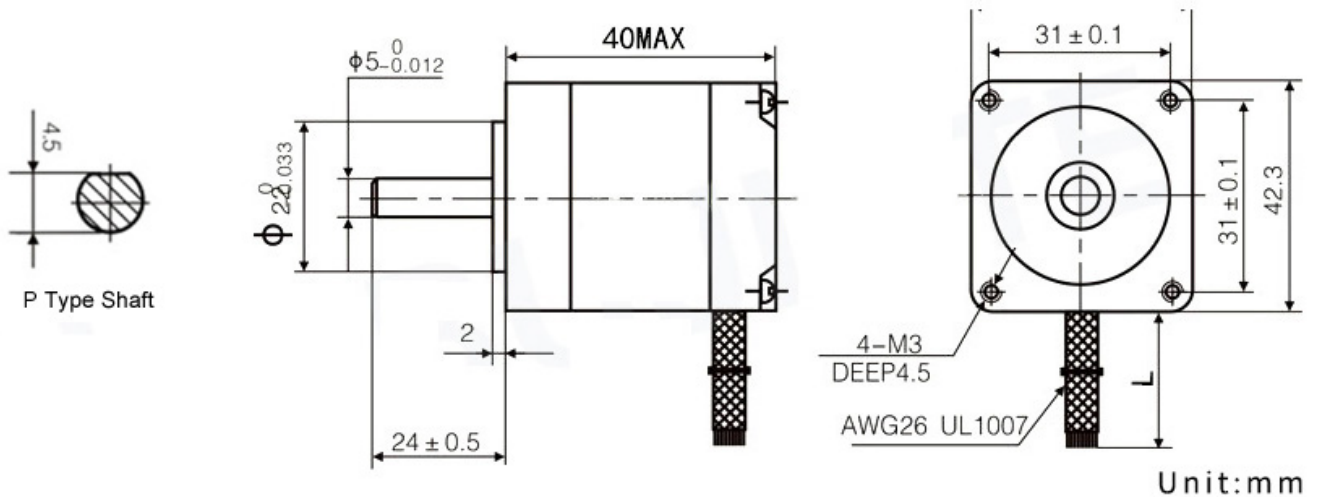


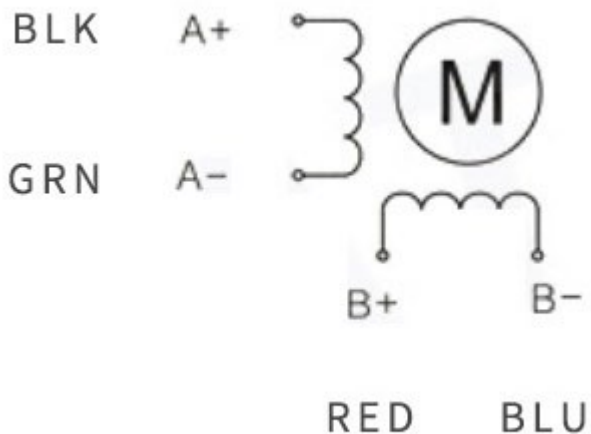
## Specifications

- Category: two-phase stepper motor
- Step angle:  $1.8^\circ$
- Body length: 40mm
- Rated current: 1.7A/Phase
- Phase resistance:  $2.4\Omega$
- Phase inductance: 3.7mH
- Holding torque: 0.45N.m
- Rotor inertia:  $54(\text{g}\cdot\text{cm}^2)$
- Weight: 0.3kg
- Compatible driver: [SMD258C](#), [Stepper Motor HAT](#)

## Dimension



## Wiring Configuration



## Selection Guide

PART NUMBER	PHASES	STEP ANGLE (DEGREE)	BODY LENGTH (MM)	RATED CURRENT (A/PHASE)	PHASE RESISTANCE ( $\Omega$ )	PHASE INDUCTANCE (MH)	HOLDING TORQUE (N.M)	ROTOR INERTIA (G.Cm <sup>2</sup> )	WEIGHT (KG)	COMPATIBLE DRIVER
SM242 40	two-phase	1.8	40	1.7	2.40	3.7	0.45	54	0.3	SMD258C, Stepper Motor HAT
SM257 76	two-phase	1.8	76	3.0	1.00	1.6	1.90	480	1.0	SMD258C
SM357 78	three-phase	1.2	78	5.8	0.29	0.39	1.50	380	1.1	SMD356C