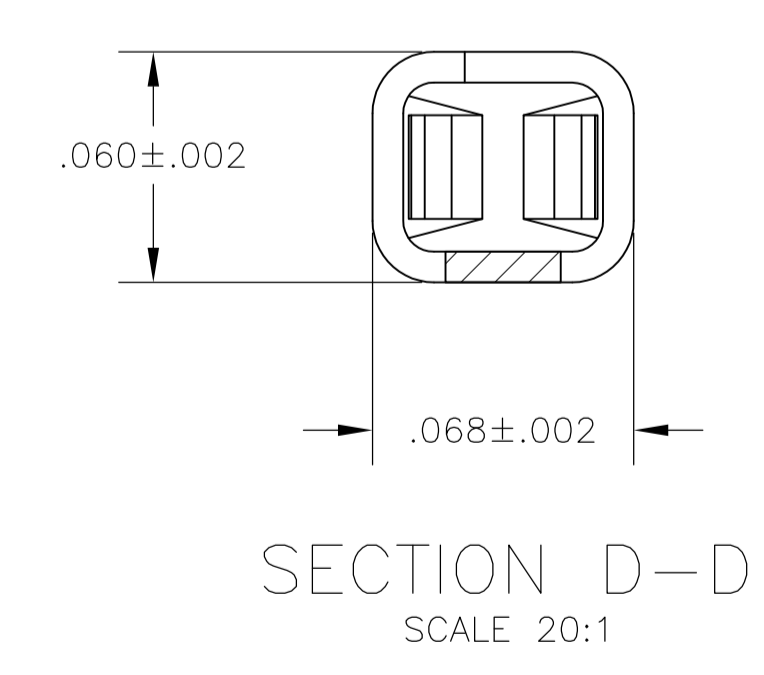
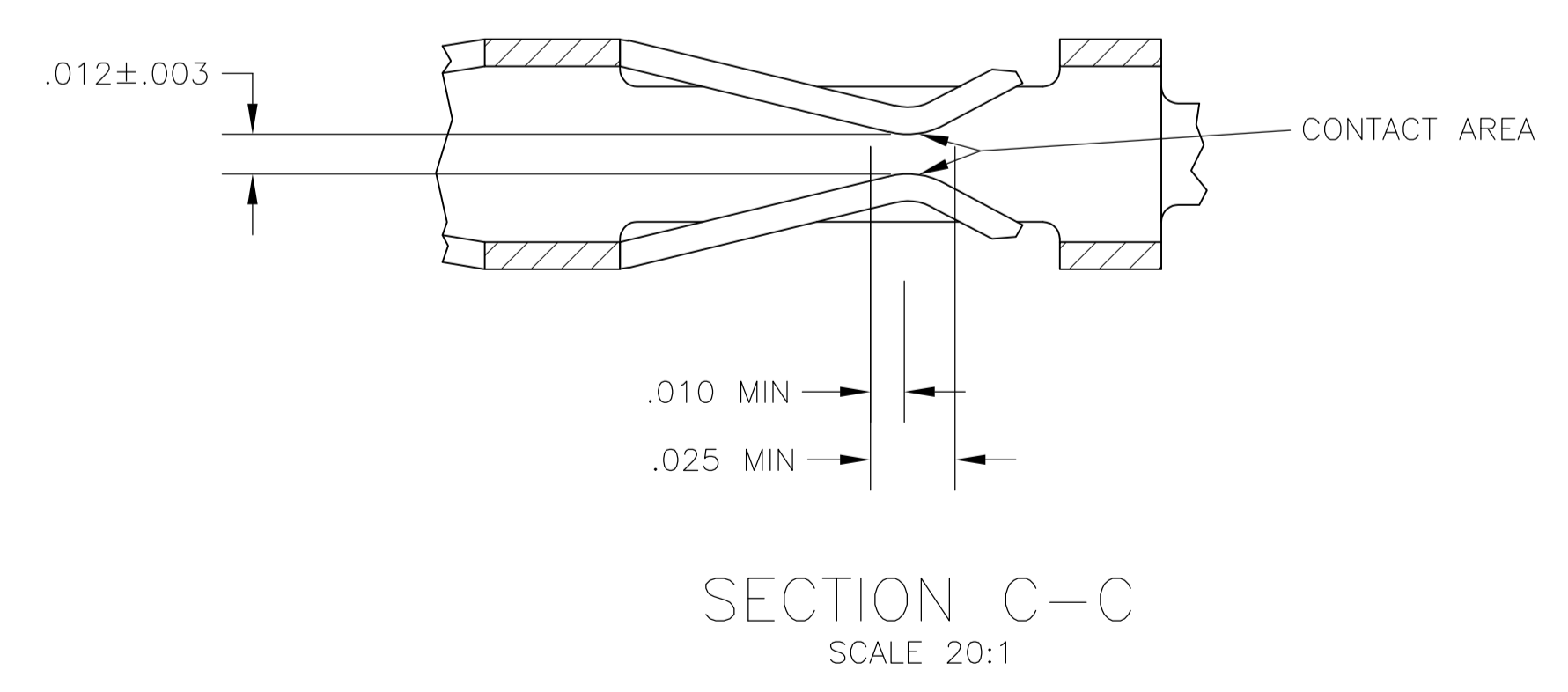
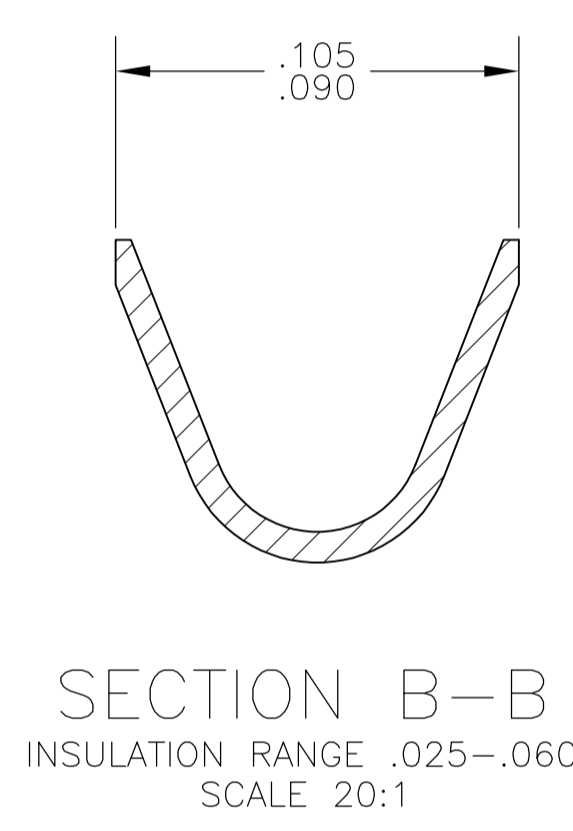
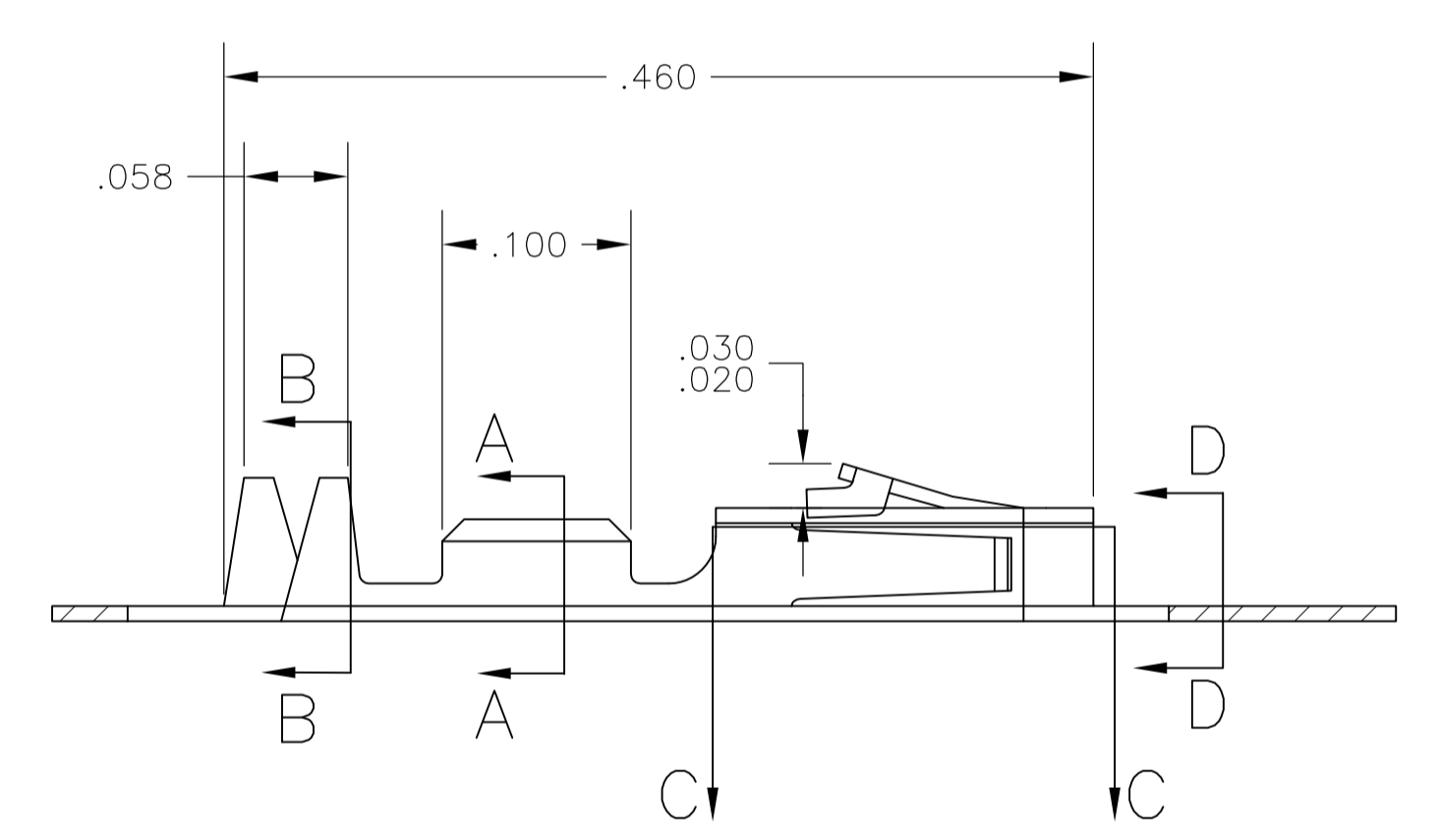
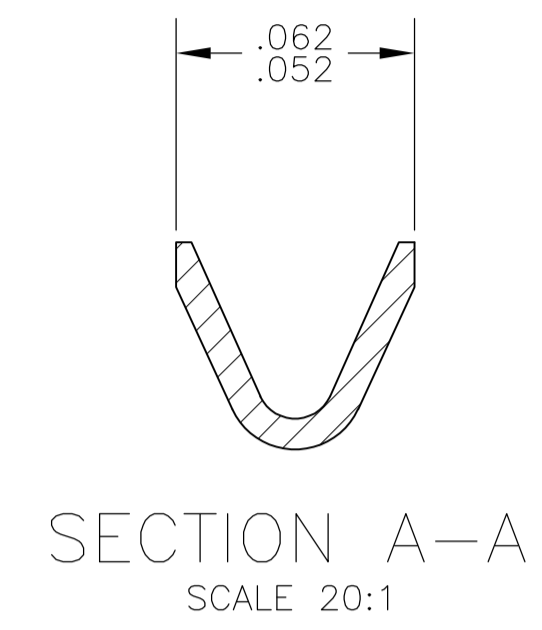
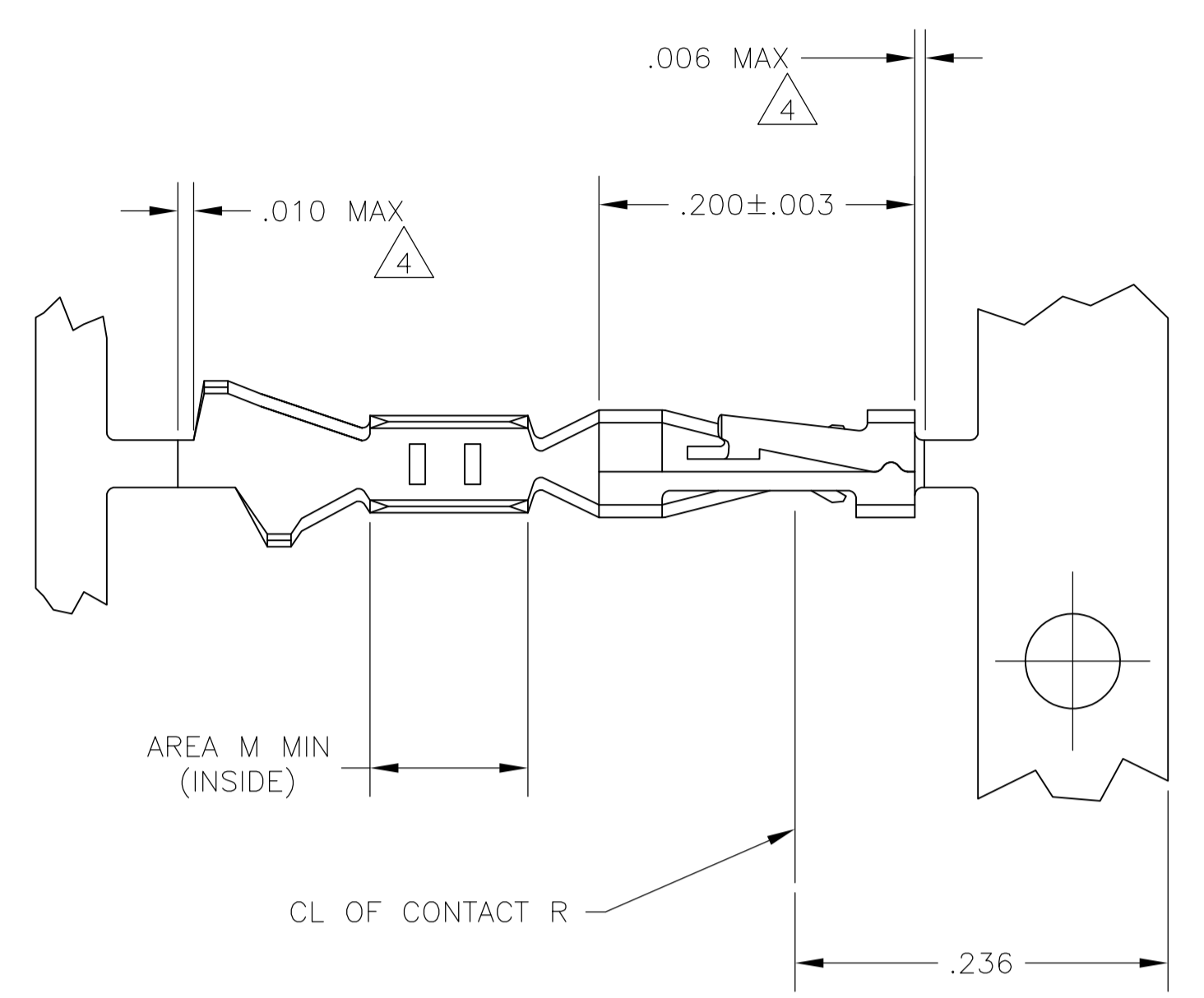


LOC		DIST		REVISIONS			
AD	00	REV	DATE	BY	CHK	APPV	
N1	REVISED PER ECO-11-004587	11MAR11	RK	HMR			



- 1 .000100 MIN BRIGHT TIN-LEAD OVER .000050 MIN NICKEL ON ENTIRE CONTACT
- 2 .000050 MIN NICKEL ON ENTIRE CONTACT; .000015 MIN GOLD ON CONTACT AREA; .000050 MIN BRIGHT TIN-LEAD ON AREA M.
- 3 .000050 MIN NICKEL ON ENTIRE CONTACT; .000030 MIN GOLD ON CONTACT AREA; .000050 MIN BRIGHT TIN-LEAD ON AREA M.
- 4 LOOSE PIECE CUT-OFF DIMENSION.
- 5 .000015 MIN GOLD ON CONTACT AREA, .000050 MIN TIN ON AREA M, ALL OVER .000050 MIN NICKEL ON ENTIRE CONTACT.
- 6 .000030 MIN GOLD ON CONTACT AREA, .000050 MIN TIN ON AREA M, ALL OVER .000050 MIN NICKEL ON ENTIRE CONTACT.
- 8 .000100 MIN TIN OVER .000050 MIN NICKEL ON ENTIRE CONTACT

REMARKS	FINISH	PART NO
LOOSE PIECE STRIP	8 REF	5-104481-6
LOOSE PIECE STRIP	6 REF	5-104481-2
LOOSE PIECE STRIP	6 REF	1-104481-3
LOOSE PIECE STRIP	5 REF	1-104481-2
LOOSE PIECE STRIP	6 REF	1-104481-1
LOOSE PIECE STRIP	5 REF	1-104481-0
OBSOLETE LOOSE PIECE STRIP		104481-9
LOOSE PIECE STRIP	3 REF	104481-8
LOOSE PIECE STRIP	2 REF	104481-7
LOOSE PIECE STRIP	1 REF	104481-6
OBSOLETE STRIP		104481-5
STRIP	3	104481-4
STRIP	2	104481-3
STRIP	1	104481-2

THIS DRAWING IS A CONTROLLED DOCUMENT.

DIMENSIONS: INCHES	TOLERANCES UNLESS OTHERWISE SPECIFIED:	DWG: C. OBERMAN 5-10-89	CHK: K. HELM 5-12-89	APPROV: R. ELICKER 5-12-89	NAME: CONTACT, CRIMP SNAP-IN AMPMODU SHORT POINT, 28-32 AWG
0 PLC ± -	1 PLC ± -	2 PLC ± -	3 PLC ± .005	4 PLC ± -	ANGLES ± -
MATERIAL: PHOSPHOR BRONZE	FINISH: SEE TABLE	WEIGHT: -	SIZE: A1	CAGE CODE: 00779	DRAWING NO: 104481
CUSTOMER DRAWING		SCALE: 10:1	SHEET: 1 OF 1	REV: N1	

STE TE Connectivity

Mouser Electronics

Authorized Distributor

Click to View Pricing, Inventory, Delivery & Lifecycle Information:

[TE Connectivity:](#)

[104481-6](#)