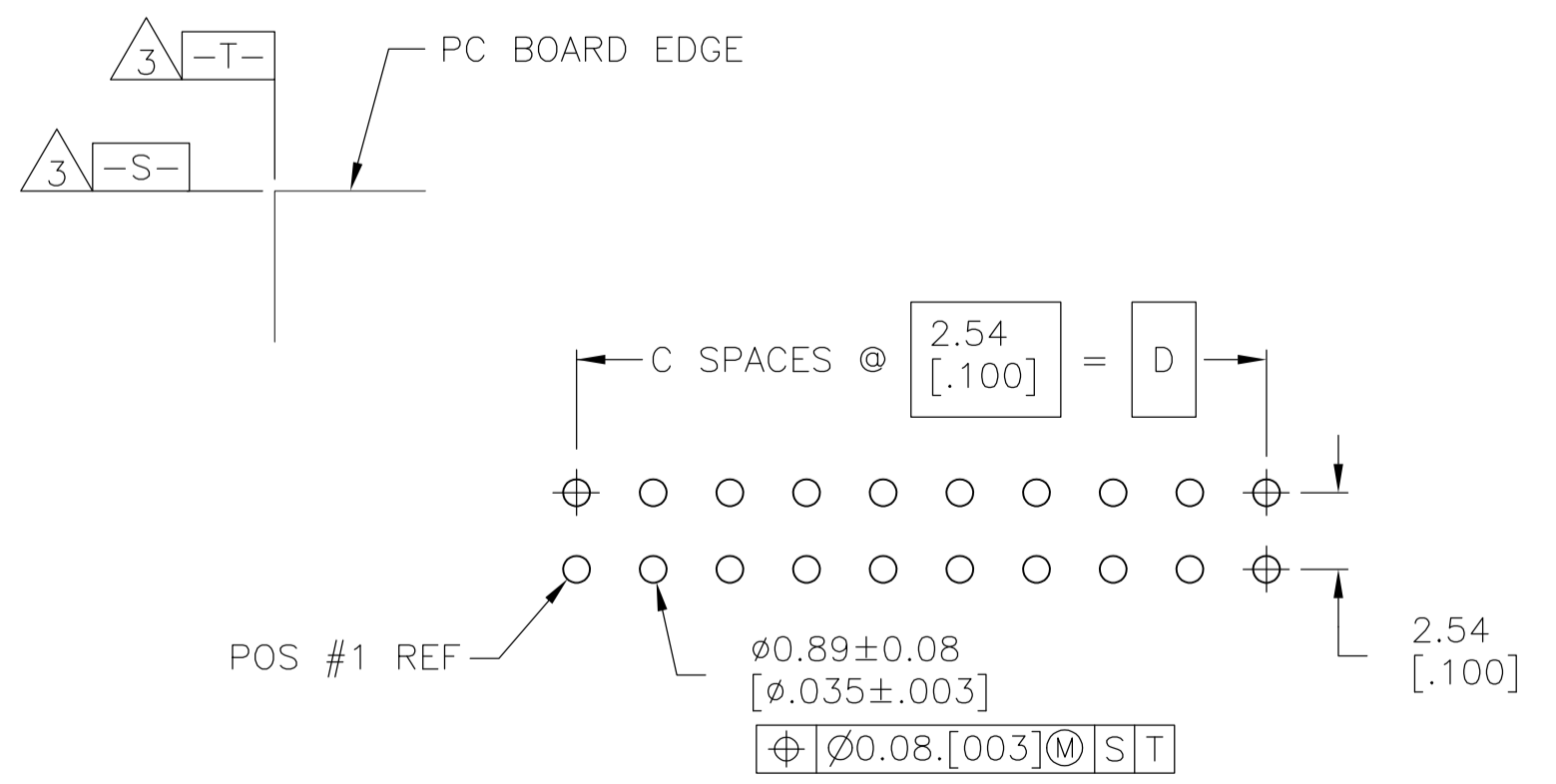
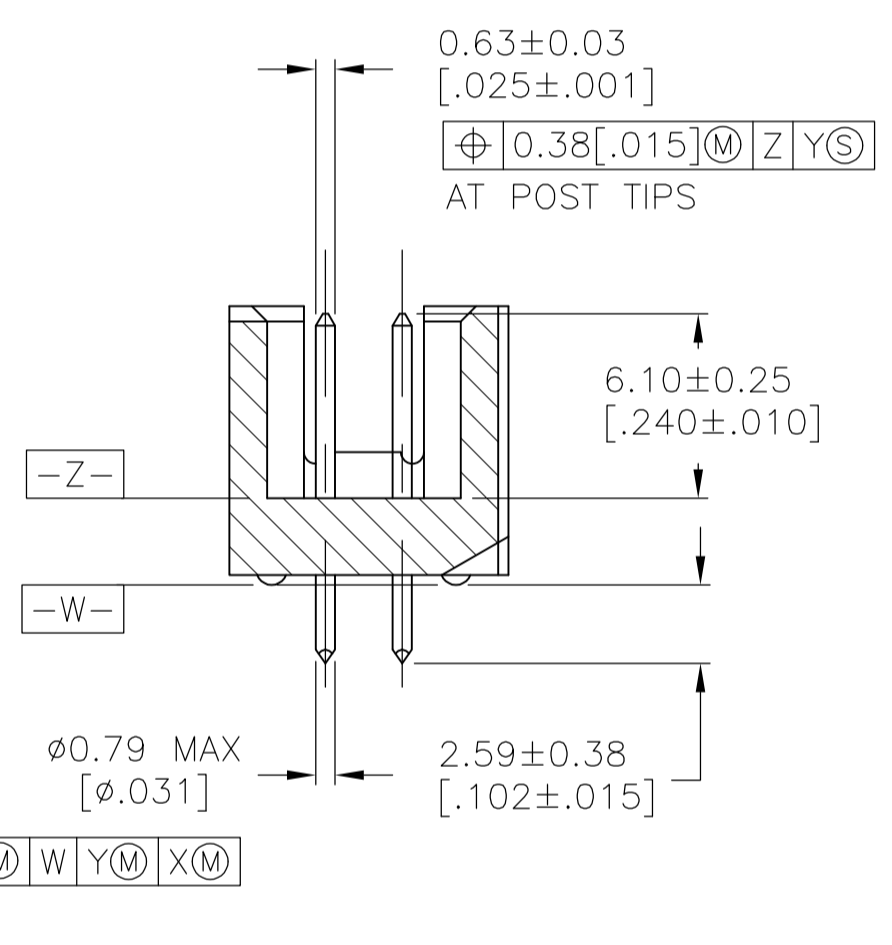
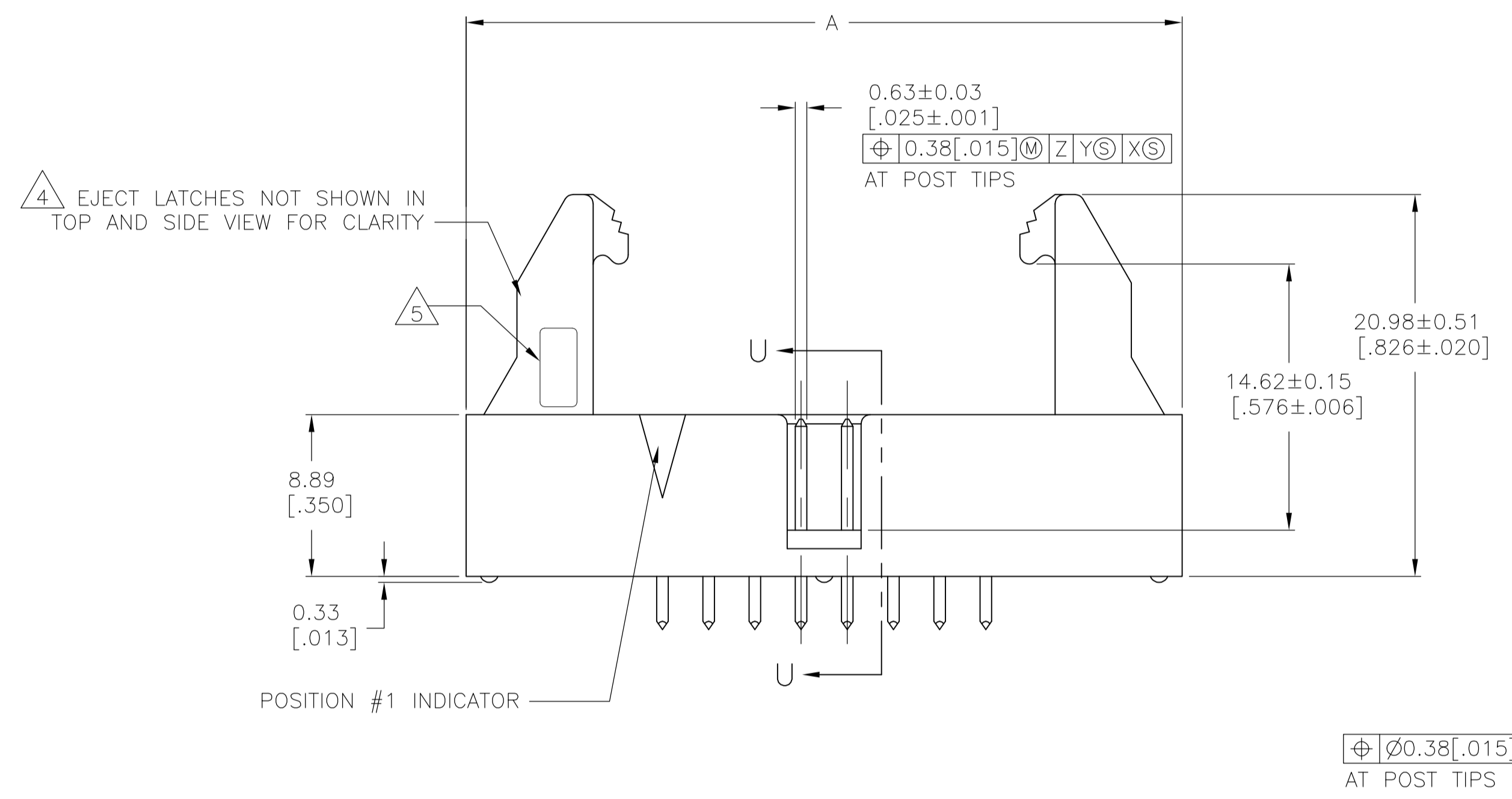


- 1 HOUSING & EJECT LATCHES: PBT, UL94V-0, COLOR BLUE. POSTS: PHOSPHOR BRONZE.
- 2 POSTS: 0.00076[.000030] MIN GOLD ON MATING AREA, 0.00254[.000100] MIN TIN ON SOLDER END, ALL OVER 0.00127[.000050] MIN NICKEL ON ENTIRE POST.
- 3 DATUMS S & T TO BE ESTABLISHED BY CUSTOMER.
- 4 LONG EJECT LATCHES FOR MATING IDC/AMP-LATCH STYLE RECEPTACLES WITH A STRAIN RELIEF
- 5 MANUFACTURER'S LOGO TO BE LOCATED IN APPROXIMATE AREA SHOWN.



RECOMMENDED PC BOARD LAYOUT (VIEWED FROM CONNECTOR SIDE)

	D	C	B	A	NO OF POS	PART NUMBER
OBSELETE	78.74 [3.100]	31	86.36 [3.400]	100.33 [3.950]	64	1-1761686-7
OBSELETE	73.66 [2.900]	29	81.28 [3.200]	95.25 [3.750]	60	1-1761686-6
	60.96 [2.400]	24	68.58 [2.700]	82.55 [3.250]	50	1-1761686-5
	53.34 [2.100]	21	60.96 [2.400]	74.93 [2.950]	44	1-1761686-4
	48.26 [1.900]	19	55.88 [2.200]	69.85 [2.750]	40	1-1761686-3
OBSELETE	43.18 [1.700]	17	50.80 [2.000]	64.77 [2.550]	36	1-1761686-2
	40.64 [1.600]	16	48.26 [1.900]	62.23 [2.450]	34	1-1761686-1
OBSELETE	35.56 [1.400]	14	43.18 [1.700]	57.15 [2.250]	30	1-1761686-0
	30.48 [1.200]	12	38.10 [1.500]	52.07 [2.050]	26	1761686-9
	27.94 [1.100]	11	35.56 [1.400]	49.53 [1.950]	24	1761686-8
	22.86 [.900]	9	30.48 [1.200]	44.45 [1.750]	20	1761686-7
	17.78 [.700]	7	25.40 [1.000]	39.37 [1.550]	16	1761686-6
	15.24 [.600]	6	22.86 [.900]	36.83 [1.450]	14	1761686-5
	10.16 [.400]	4	17.78 [.700]	31.75 [1.250]	10	1761686-3

THIS DRAWING IS A CONTROLLED DOCUMENT.

DIMENSIONS: mm [INCHES]	TOLERANCES UNLESS OTHERWISE SPECIFIED:	0 PLC ± -	1 PLC ± -	2 PLC ± -	3 PLC ± 0.13[.005]	4 PLC ± -	ANGLES ± -
-------------------------	--	-----------	-----------	-----------	--------------------	-----------	------------

MATERIAL: 1 FINISH: 2

THIS DRAWING IS A CONTROLLED DOCUMENT. **STE** TE Connectivity

APPROVED: M. WALMSLEY DATE: 05JUN05 NAME: M. WALMSLEY DATE: 05JUN05

PRODUCT SPEC: HEADER ASSEMBLY, LONG EJECT LATCHES, VERTICAL, LOW PROFILE, IDC

APPLICATION SPEC: SIZE: A1 CAGE CODE: 00779 DRAWING NO: 1761686 RESTRICTED TO: 1

WEIGHT: CUSTOMER DRAWING SCALE: 4:1 SHEET: 1 OF 1 REV: B1

# Mouser Electronics

Authorized Distributor

Click to View Pricing, Inventory, Delivery & Lifecycle Information:

[TE Connectivity:](#)

[1-1761686-5](#)