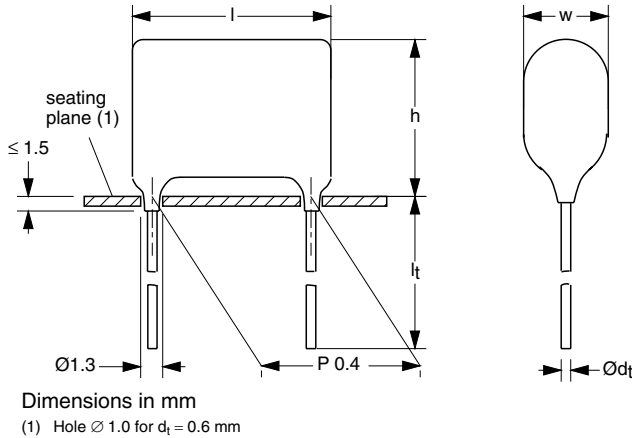


Metallized Polyester Film Capacitors MKT Radial Epoxy Lacquered Type


FEATURES

- Available taped on reel and loose in box
- Lead (Pb)-free product
- RoHS-compliant product


**RoHS
COMPLIANT**
CAPACITANCE TOLERANCE
 $\pm 10\%$; $\pm 5\%$
RATED (DC) VOLTAGE

63 V; 100 V; 250 V; 400 V; 630 V

RATED (AC) VOLTAGE

40 V; 63 V; 160 V; 220 V; 250 V

CLIMATIC CATEGORY

55/105/56

RATED TEMPERATURE

85 °C

MAXIMUM APPLICATION TEMPERATURE

105 °C

REFERENCE SPECIFICATIONS

IEC 60384-2

PERFORMANCE GRADE

Grade 1 (long life)

DETAIL SPECIFICATION

For more detailed data and test requirements see "Type detail specification HQN-384-02/101"

APPLICATIONS

Blocking and coupling. Bypass and energy reservoir

MARKING

C-value; tolerance; rated voltage

DIELECTRIC

Polyester film

ELECTRODES

Vacuum deposited aluminium

COATING

Flame retardant epoxy material (UL-class 94 V-0)

CONSTRUCTION

Wound mono construction

LEADS

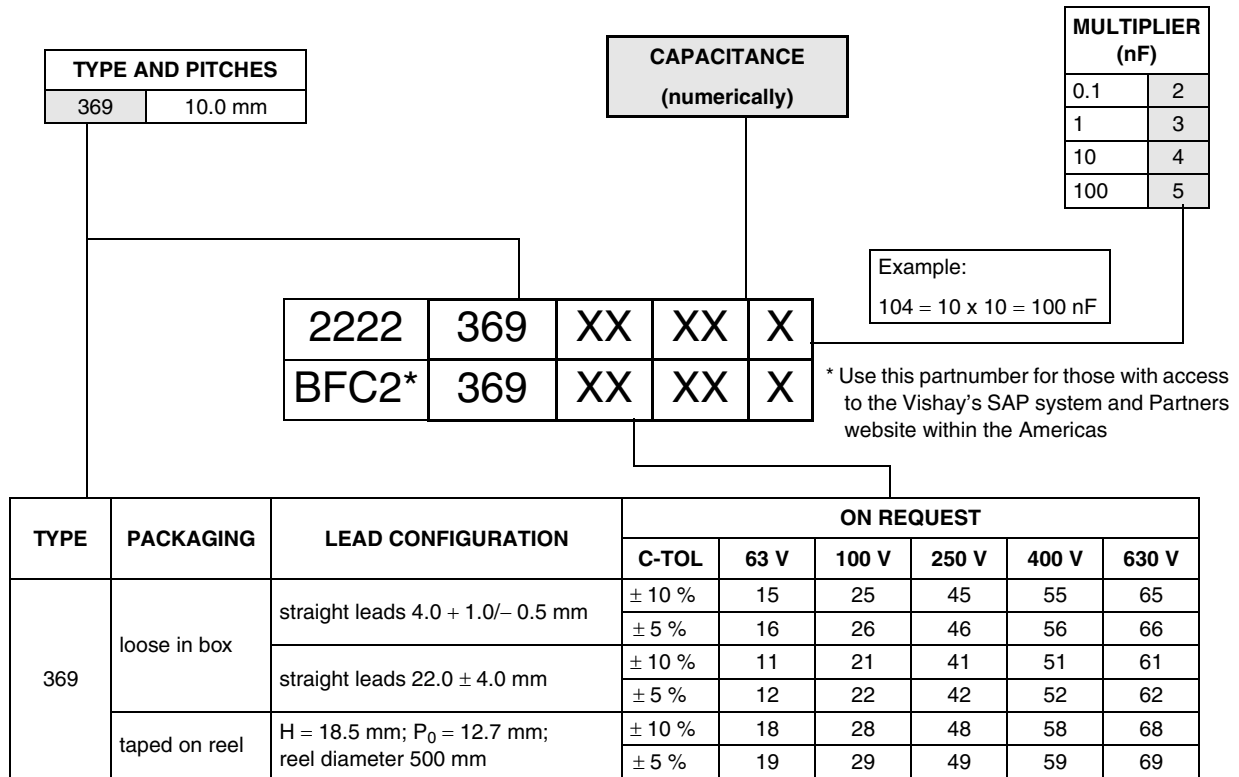
Tinned wire

CAPACITANCE RANGE (E12 SERIES)

 0.001 to 1.0 μ F



COMPOSITION OF CATALOG NUMBER



SPECIFIC REFERENCE DATA

DESCRIPTION	VALUE				
	at 1 kHz	at 10 kHz	at 100 kHz		
Tangent of loss angle:					
C ≤ 0.47 μF	≤ 75 × 10 ⁻⁴	≤ 130 × 10 ⁻⁴	≤ 300 × 10 ⁻⁴		
0.47 μF < C ≤ 1.0 μF	≤ 75 × 10 ⁻⁴	≤ 130 × 10 ⁻⁴	≤ 225 × 10 ⁻⁴		
C ≥ 0.1 μF	≤ 75 × 10 ⁻⁴	≤ 130 × 10 ⁻⁴	≤ 300 × 10 ⁻⁴		
Rated voltage pulse slope (dU/dt) _R	at 63 V (DC)	at 100 V (DC)	at 250 V (DC)	at 400 V (DC)	at 630 V (DC)
	30 V/μs	28 V/μs	70 V/μs	110 V/μs	70 V/μs
R between leads, for C ≤ 0.33 μF:					
at 10 V; 1 minute	> 15000 MΩ				
at 100 V; 1 minute		> 15000 MΩ	> 30000 MΩ	> 30000 MΩ	
at 500 V; 1 minute					> 30000 MΩ
RC between leads, for C > 0.33 μF:					
at 10 V; 1 minute	> 5000 s				
at 500 V; 1 minute					> 10000 s
R between interconnecting leads and casing:					
at 10 V; 1 minute	> 30000 MΩ				
at 100 V; 1 minute		> 30000 MΩ	> 30000 MΩ	> 30000 MΩ	
at 500 V; 1 minute					> 30000 MΩ
Withstanding (DC) voltage (cut off current 10 mA); rise time 100 V/s	100 V; 1 minute	160 V; 1 minute	400 V; 1 minute	640 V; 1 minute	1008 V; 1 minute
Withstanding (DC) voltage between leads and case	200 V; 1 minute	200 V; 1 minute	500 V; 1 minute	800 V; 1 minute	1260 V; 1 minute



U_{Rdc} = 63 V; U_{Rac} = 40 V

C (μ F)	DIMENSIONS $w_{max} \times h_{max} \times l_{max}$ (mm)	MASS (g)	CATALOG NUMBER 2222 369 AND PACKAGING			
			LOOSE IN BOX			REEL
			$l_t = 4.0 + 1.0/- 0.5$ mm		$l_t = 22.0 \pm 4.0$ mm	
			C-tol = ± 10 %	SPQ	SPQ	SPQ
last 5 digits of catalog number						
Pitch = 10.0 \pm 0.4 mm; $d_t = 0.60 \pm 0.06$ mm						
0.22	4.2 \times 9.3 \times 12.5	0.4	15224	2000	1000	1300
0.27	3.8 \times 9.0 \times 12.5	0.4	15274	2000	1000	1300
0.33	4.1 \times 9.3 \times 12.5	0.4	15334	2000	1000	1300
0.39	4.0 \times 9.2 \times 12.5	0.4	15394	2000	1000	1300
0.47	4.3 \times 9.5 \times 12.5	0.5	15474	2000	1000	1200
0.56	4.7 \times 9.8 \times 12.5	0.5	15564	2000	1000	1200
0.68	5.1 \times 10.2 \times 12.5	0.5	15684	2000	1000	1100
0.82	5.5 \times 10.7 \times 12.5	0.6	15824	2000	1000	1000
1	6.0 \times 11.1 \times 12.5	0.7	15105	2000	1000	900

U_{Rdc} = 100 V; U_{Rac} = 63 V

C (μ F)	DIMENSIONS $w_{max} \times h_{max} \times l_{max}$ (mm)	MASS (g)	CATALOG NUMBER 2222 369 AND PACKAGING			
			LOOSE IN BOX			REEL
			$l_t = 4.0 + 1.0/- 0.5$ mm		$l_t = 22.0 \pm 4.0$ mm	
			C-tol = ± 10 %	SPQ	SPQ	SPQ
last 5 digits of catalog number						
Pitch = 10.0 \pm 0.4 mm; $d_t = 0.60 \pm 0.06$ mm						
0.056	4.0 \times 9.1 \times 12.5	0.4	25563	2000	1000	1500
0.068			25683			
0.082	3.7 \times 8.8 \times 12.5	0.4	25823	2000	1000	1500
0.1	4.0 \times 9.0 \times 12.5	0.4	25104	2000	1000	1500
0.12	4.3 \times 9.3 \times 12.5	0.4	25124	2000	1000	1500
0.15	3.9 \times 8.9 \times 12.5	0.4	25154	2000	1000	1500
0.18	4.2 \times 9.2 \times 12.5	0.5	25184	2000	1000	1300
0.22	4.5 \times 9.4 \times 12.5	0.5	25224	2000	1000	1200

U_{Rdc} = 250 V; U_{Rac} = 160 V

C (μ F)	DIMENSIONS $w_{max} \times h_{max} \times l_{max}$ (mm)	MASS (g)	CATALOG NUMBER 2222 369 AND PACKAGING			
			LOOSE IN BOX			REEL
			$l_t = 4.0 + 1.0/- 0.5$ mm		$l_t = 22.0 \pm 4.0$ mm	
			C-tol = ± 10 %	SPQ	SPQ	SPQ
last 5 digits of catalog number						
Pitch = 10.0 \pm 0.4 mm; $d_t = 0.60 \pm 0.06$ mm						
0.027	4.2 \times 8.7 \times 12.5	0.4	45273	2000	1000	1500
0.033	4.6 \times 8.8 \times 12.5	0.5	45333	2000	1000	1300
0.039	4.0 \times 8.8 \times 12.5	0.4	45393	2000	1000	1500
0.047	4.5 \times 9.0 \times 12.5	0.5	45473	2000	1000	1500
0.056	4.6 \times 8.8 \times 12.5	0.5	45563	2000	1000	1300
0.068	4.6 \times 9.2 \times 12.5	0.5	45683	2000	1000	1300
0.082	4.4 \times 9.4 \times 12.5	0.5	45823	2000	1000	1200
0.1	4.7 \times 9.7 \times 12.5	0.5	45104	2000	1000	1200



$U_{Rdc} = 400\text{ V}$; $U_{Rac} = 220\text{ V}$

C (μF)	DIMENSIONS $w_{\text{max}} \times h_{\text{max}} \times l_{\text{max}}$ (mm)	MASS (g)	CATALOG NUMBER 2222 369 AND PACKAGING				
			LOOSE IN BOX			REEL	
			$l_t = 4.0 + 1.0/- 0.5\text{ mm}$		$l_t = 22.0 \pm 4.0\text{ mm}$		SPQ
			C-tol = $\pm 10\%$	SPQ	SPQ	SPQ	
last 5 digits of catalog number							
Pitch = $10.0 \pm 0.4\text{ mm}$; $d_t = 0.60 \pm 0.06\text{ mm}$							
0.001	4.5 × 8.7 × 12.5	0.5	55102	2000	1000	1500	
0.0012	4.5 × 9.0 × 12.5	0.5	55122	2000	1000	1500	
0.0015	4.5 × 8.8 × 12.5	0.5	55152	2000	1000	1500	
0.0018	4.5 × 8.7 × 12.5	0.5	55182	2000	1000	1500	
0.0022	4.0 × 8.6 × 12.5	0.5	55222	2000	1000	1500	
0.0027	4.3 × 8.9 × 12.5	0.5	55272	2000	1000	1500	
0.0033	4.6 × 9.1 × 12.5	0.5	55332	2000	1000	1500	
0.0039	4.0 × 8.7 × 12.5	0.5	55392	2000	1000	1500	
0.0047	4.1 × 8.8 × 12.5	0.5	55472	2000	1000	1500	
0.0056	4.6 × 9.1 × 12.5	0.5	55562	2000	1000	1500	
0.0068			55682				
0.0082			55822				
0.01			55103				
0.012	4.0 × 8.7 × 12.5	0.5	55123	2000	1000	1500	
0.015	4.1 × 8.8 × 12.5	0.5	55153	2000	1000	1500	
0.018	4.4 × 8.8 × 12.5	0.5	55183	2000	1000	1300	
0.022	4.2 × 8.8 × 12.5	0.5	55223	2000	1000	1500	
0.027	4.2 × 9.1 × 12.5	0.5	55273	2000	1000	1300	
0.033	4.6 × 9.4 × 12.5	0.5	55333	2000	1000	1300	

$U_{Rdc} = 630\text{ V}$; $U_{Rac} = 250\text{ V}$

C (μF)	DIMENSIONS $w_{\text{max}} \times h_{\text{max}} \times l_{\text{max}}$ (mm)	MASS (g)	CATALOG NUMBER 2222 369 AND PACKAGING				
			LOOSE IN BOX			REEL	
			$l_t = 4.0 + 1.0/- 0.5\text{ mm}$		$l_t = 22.0 \pm 4.0\text{ mm}$		SPQ
			C-tol = $\pm 10\%$	SPQ	SPQ	SPQ	
last 5 digits of catalog number							
Pitch = $10.0 \pm 0.4\text{ mm}$; $d_t = 0.60 \pm 0.06\text{ mm}$							
0.01	4.1 × 8.7 × 12.5	0.4	65103	2000	1000	1300	
0.012	4.4 × 8.9 × 12.5	0.5	65123	2000	1000	1200	
0.015	4.9 × 9.2 × 12.5	0.5	65153	2000	1000	1100	
0.018	5.3 × 9.5 × 12.5	0.6	65183	2000	1000	1000	
0.022	5.9 × 9.9 × 12.5	0.7	65223	2000	1000	900	



Disclaimer

ALL PRODUCT, PRODUCT SPECIFICATIONS AND DATA ARE SUBJECT TO CHANGE WITHOUT NOTICE TO IMPROVE RELIABILITY, FUNCTION OR DESIGN OR OTHERWISE.

Vishay Intertechnology, Inc., its affiliates, agents, and employees, and all persons acting on its or their behalf (collectively, "Vishay"), disclaim any and all liability for any errors, inaccuracies or incompleteness contained in any datasheet or in any other disclosure relating to any product.

Vishay makes no warranty, representation or guarantee regarding the suitability of the products for any particular purpose or the continuing production of any product. To the maximum extent permitted by applicable law, Vishay disclaims (i) any and all liability arising out of the application or use of any product, (ii) any and all liability, including without limitation special, consequential or incidental damages, and (iii) any and all implied warranties, including warranties of fitness for particular purpose, non-infringement and merchantability.

Statements regarding the suitability of products for certain types of applications are based on Vishay's knowledge of typical requirements that are often placed on Vishay products in generic applications. Such statements are not binding statements about the suitability of products for a particular application. It is the customer's responsibility to validate that a particular product with the properties described in the product specification is suitable for use in a particular application. Parameters provided in datasheets and / or specifications may vary in different applications and performance may vary over time. All operating parameters, including typical parameters, must be validated for each customer application by the customer's technical experts. Product specifications do not expand or otherwise modify Vishay's terms and conditions of purchase, including but not limited to the warranty expressed therein.

Except as expressly indicated in writing, Vishay products are not designed for use in medical, life-saving, or life-sustaining applications or for any other application in which the failure of the Vishay product could result in personal injury or death. Customers using or selling Vishay products not expressly indicated for use in such applications do so at their own risk. Please contact authorized Vishay personnel to obtain written terms and conditions regarding products designed for such applications.

No license, express or implied, by estoppel or otherwise, to any intellectual property rights is granted by this document or by any conduct of Vishay. Product names and markings noted herein may be trademarks of their respective owners.

Mouser Electronics

Authorized Distributor

Click to View Pricing, Inventory, Delivery & Lifecycle Information:

Vishay:

<u>BFC236941104</u>	<u>BFC236911105</u>	<u>BFC236915105</u>	<u>BFC236921224</u>	<u>BFC236941333</u>	<u>BFC236941393</u>	<u>BFC236941473</u>
<u>BFC236941683</u>	<u>BFC236945683</u>	<u>BFC236948104</u>	<u>BFC236951103</u>	<u>BFC236951153</u>	<u>BFC236951222</u>	<u>BFC236951223</u>
<u>BFC236951273</u>	<u>BFC236951333</u>	<u>BFC236951682</u>	<u>BFC236955103</u>	<u>BFC236956103</u>	<u>BFC236958103</u>	<u>BFC236961223</u>
<u>BFC236965153</u>	<u>BFC236966103</u>	<u>BFC236966123</u>	<u>BFC236966153</u>	<u>BFC236966183</u>	<u>BFC236966223</u>	<u>BFC236968103</u>
<u>BFC236968123</u>	<u>BFC236968153</u>	<u>BFC236968183</u>	<u>BFC236968223</u>	<u>BFC236969103</u>	<u>BFC236969123</u>	<u>BFC236969153</u>
<u>BFC236969183</u>	<u>BFC236969223</u>	<u>BFC236990092</u>	<u>BFC236955392</u>	<u>BFC236990122</u>	<u>BFC236921104</u>	<u>BFC236955223</u>