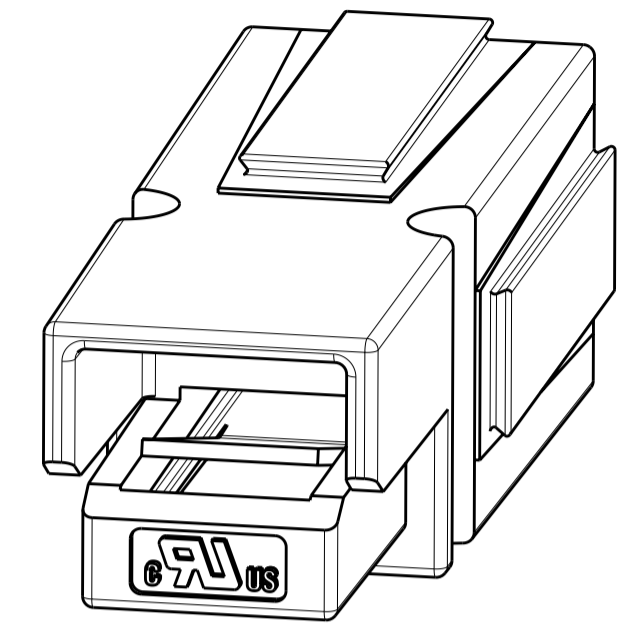
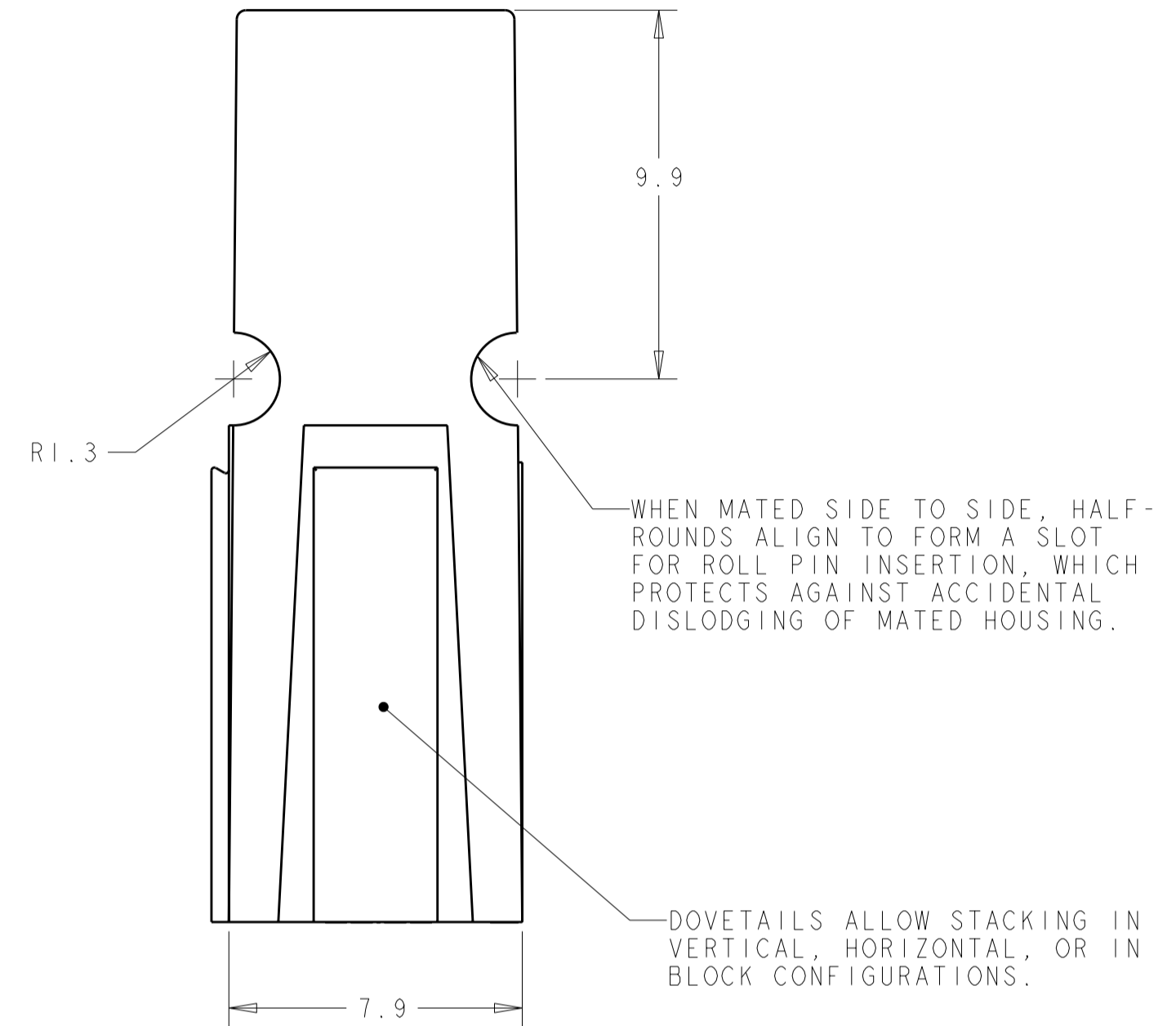
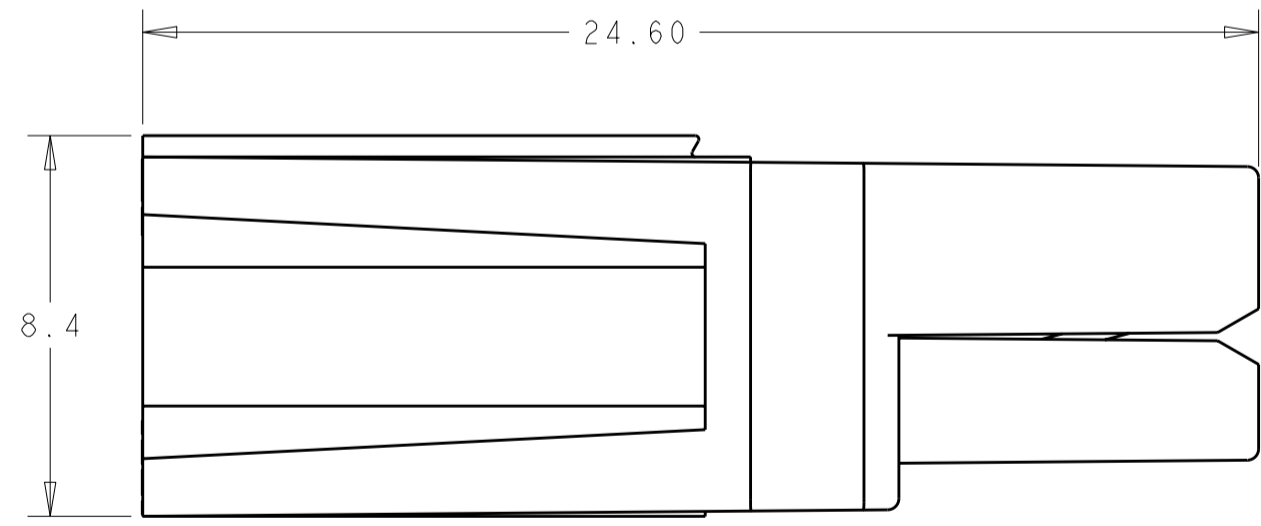
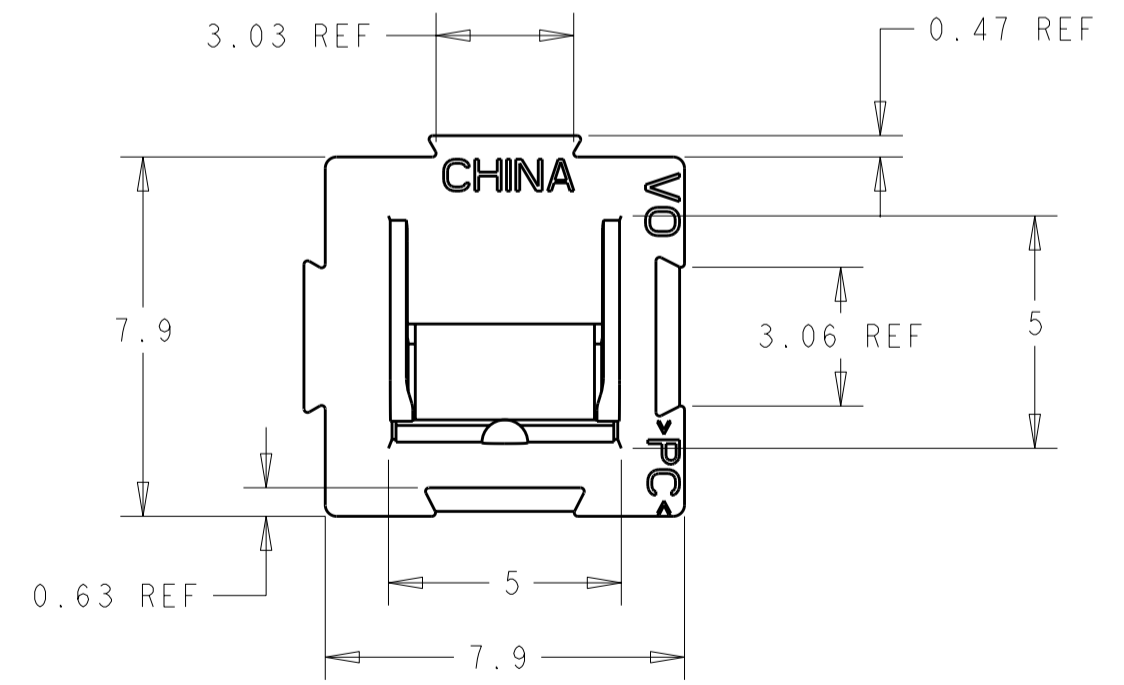


THIS DRAWING IS UNPUBLISHED. RELEASED FOR PUBLICATION 20
 © COPYRIGHT 20 BY - ALL RIGHTS RESERVED.

LOC	DIST	REVISIONS			
P	LTR	DESCRIPTION	DATE	DWN	APVD
-	-	C	REVISED PER ECO-11-019283	17OCT2011	KH DY



1. SPRING/HOUSING ASSEMBLIES ARE UL AND CSA RECOGNIZED PER FILE TBD.
2. THESE HOUSING ASSEMBLIES ACCOMMODATE TE CONNECTIVITY CONTACTS FOR WIRE RANGES FROM #20 AWG TO #10 AWG.
3. HOUSING: POLYCARBONATE, UL94V0.
SPRING: STAINLESS STEEL.



OBSOLETE	COLOR	PART NUMBER
	BROWN	1445957-9
	GRAY	1445957-8
	ORANGE	1445957-7
	YELLOW	1445957-6
	RED	1445957-5
	GREEN	1445957-4
	WHITE	1445957-3
	BLACK	1445957-2
	BLUE	1445957-1
	COLOR	PART NUMBER

THIS PRODUCT HAS PASSED VERIFICATION AND AGENCY APPROVALS TESTING AND IS COMPONENT RECOGNIZED PER UL 1977 AND CSA 22.2. TE CONNECTIVITY PRODUCT QUALIFICATION TESTING IS NOT YET COMPLETE.

THIS DRAWING IS A CONTROLLED DOCUMENT.		DWN B. HAYMAKER 06NOV01	STE TE Connectivity	
DIMENSIONS: mm		CHK K. KETELSIEGER 25JAN02		
TOLERANCES UNLESS OTHERWISE SPECIFIED:		APVD K. KETELSIEGER 25JAN02	NAME ASSEMBLY, 15/30/45A SINGLE POLE POWER PRODUCT	
0 PLC ±0.13		PRODUCT SPEC	SIZE	
1 PLC ±0.13		APPLICATION SPEC	CAGE CODE	
2 PLC ±0.13		WEIGHT	DRAWING NO	
3 PLC ±		CUSTOMER DRAWING	A200779C-1445957	
4 PLC ±		SCALE 6:1	RESTRICTED TO	
ANGLES ±1		SHEET 1 OF 1	REV C	
FINISH				

Mouser Electronics

Authorized Distributor

Click to View Pricing, Inventory, Delivery & Lifecycle Information:

[TE Connectivity:](#)

[1445957-2](#)