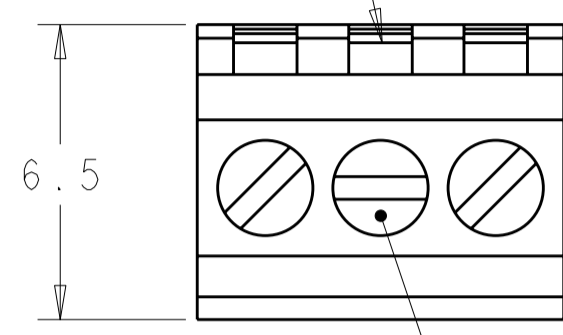


THIS DRAWING IS UNPUBLISHED. RELEASED FOR PUBLICATION 20
 © COPYRIGHT 20 ALL RIGHTS RESERVED.

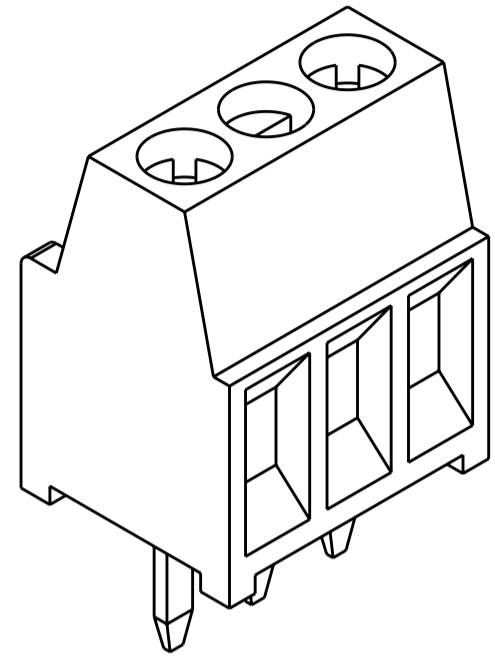
LOC		DIST		REVISIONS			
P	LTR	DESCRIPTION	DATE	DWN	APVD		
FT	0	AI	REVISED PER ECO-11-007905	15APR2011	HMR	CR	

TEST FACILITY



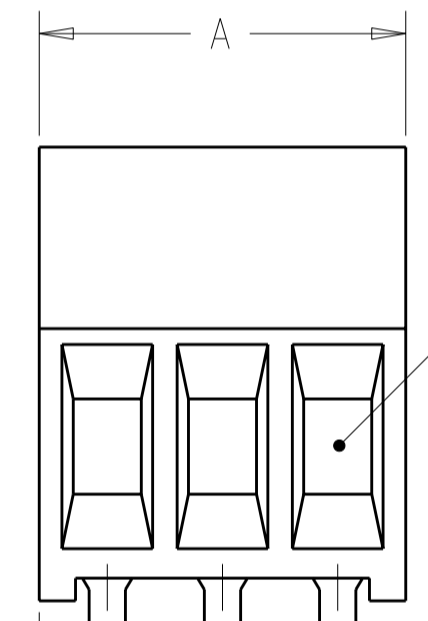
6.5

CLAMPING SCREW



1546215-3 AS SHOWN

- ⚠ MATERIAL AND FINISH:
 HOUSING: PA 6-6, UL 94-V0, COLOR: GRAY.
 CLAMP: BRASS, NICKEL PLATED.
 TERMINAL: BRASS, TIN PLATED.
 CLAMPING SCREW: M1.6, STAINLESS STEEL.
- SUITABLE FOR 1,6-2,4mm PCB BOARD THICKNESS.
 - WIRE RANGE: 16-30 AWG.
 - RECOGNIZED UNDER THE COMPONENT PROGRAM OF UNDERWRITERS LABORATORIES INC. FILE N° E60677.
 - POSSIBILITY TO PUT TWO OR THREE TERMINAL BLOCKS SIDE BY SIDE BY INCREASING THE DIAMETER OF THE PCB HOLES TO MINIMUM 1,3mm.
 - TORQUE: 1.73 in-lbs MAX

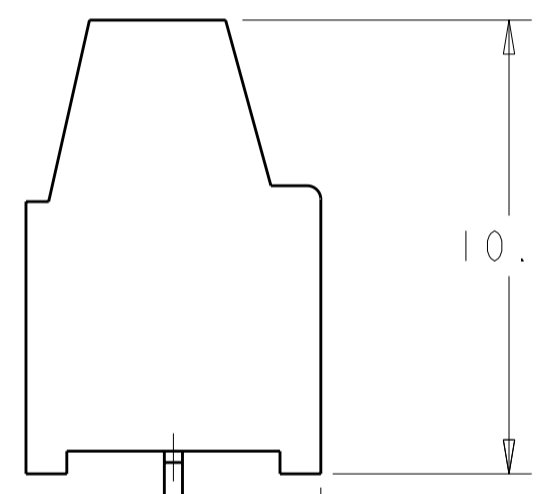


WIRE ENTRY

1.5 REF

0.80±0.05

2.54±0.05

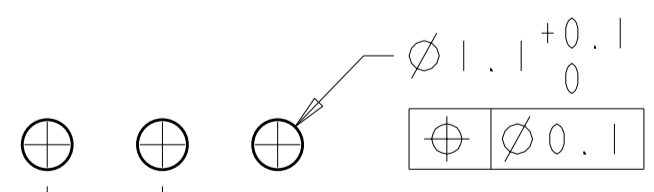


10.0

3.4±0.2

0.40±0.05

3.25±0.15



2.54

RECOMMENDED PC BOARD LAYOUT

30.94	12	1-1546215-2
28.40	11	1-1546215-1
25.86	10	1-1546215-0
23.32	9	1546215-9
20.78	8	1546215-8
18.24	7	1546215-7
15.70	6	1546215-6
13.16	5	1546215-5
10.62	4	1546215-4
8.08	3	1546215-3
5.54	2	1546215-2
A	NO OF POSN	PART NUMBER

THIS DRAWING IS A CONTROLLED DOCUMENT.		DWN S.WELDON 09MAR2004	TE Connectivity	
DIMENSIONS: mm		CHK C.RICHARD 09MAR2004		
TOLERANCES UNLESS OTHERWISE SPECIFIED:		APVD C.RICHARD 09MAR2004	NAME	
0 PLC ±.3		PRODUCT SPEC	TERMINAL BLOCK ASSEMBLY, PCB MOUNT, SIDE WIRE ENTRY, STACKING, 2.54mm PITCH	
1 PLC ±.25		108-20166	SIZE	RESTRICTED TO
2 PLC ±.25		114-20079	A200779	C=1546215
3 PLC ±.		WEIGHT	SCALE	SHEET
4 PLC ±.		-	5:1	OF
ANGLES ±2		CUSTOMER DRAWING	REV	AI
FINISH				

Mouser Electronics

Authorized Distributor

Click to View Pricing, Inventory, Delivery & Lifecycle Information:

[TE Connectivity:](#)

[1546215-4](#)