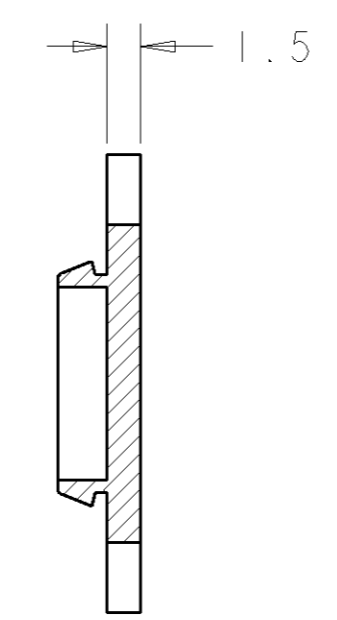
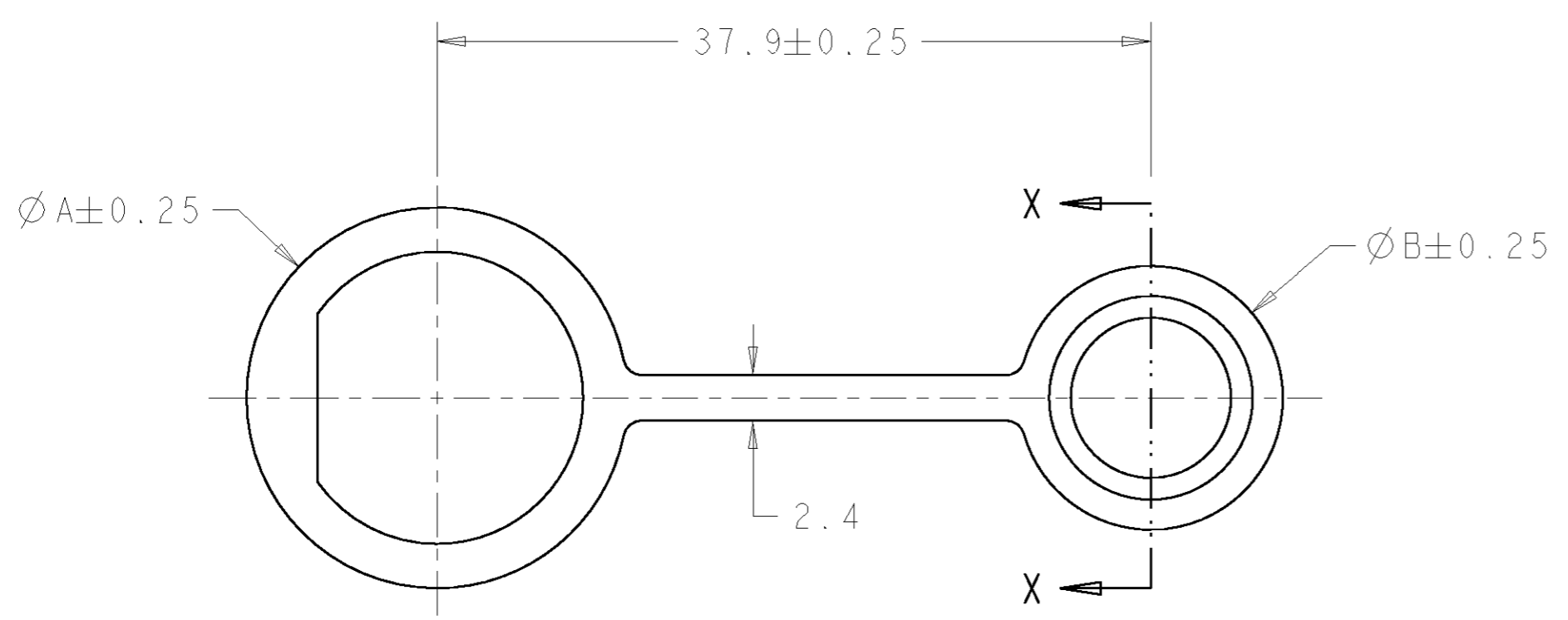
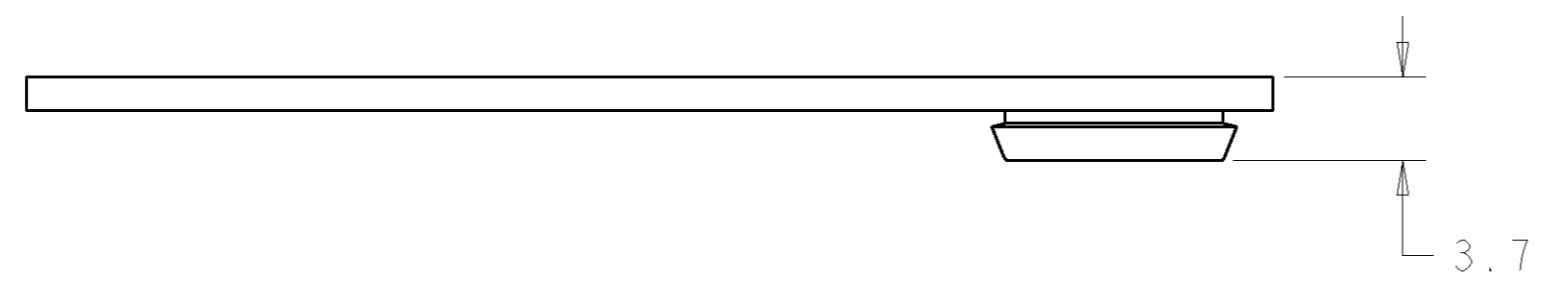


THIS DRAWING IS UNPUBLISHED. RELEASED FOR PUBLICATION 20
 © COPYRIGHT 20 BY TYCO ELECTRONICS CORPORATION. ALL RIGHTS RESERVED.

LOC	DIST	REVISIONS					
FT	0	P	LTR	DESCRIPTION	DATE	DWN	APVD
		A		RELEASED EC 063B-0362-03	18JUL2003	SW	HW



SECTION X-X

18.7	22.6	11	1604089-2
14	20.2	8	1604089-1
$\varnothing B$	$\varnothing A$	SHELL SIZE	PART NUMBER

<small>THIS DRAWING IS A CONTROLLED DOCUMENT FOR TYCO ELECTRONICS CORPORATION. IT IS SUBJECT TO CHANGE AND THE CONTROLLING ENGINEERING ORGANIZATION SHOULD BE CONTACTED FOR THE LATEST REVISION.</small>		DWN S.WIEST 13FEB2002 CHK G.DOUY 13FEB2002 APVD H.WAKEEM 18JUL2003	tyco Tyco Electronics Electronics Harrisburg, PA 17105-3608
DIMENSIONS: mm 	TOLERANCES UNLESS OTHERWISE SPECIFIED: 0 PLC ± 1 PLC ±0.13 2 PLC ±0.13 3 PLC ± 4 PLC ± ANGLES ± FINISH ±	PRODUCT SPEC - APPLICATION SPEC - WEIGHT -	NAME CAP, DUST, MINI CPC SIZE A2 CAGE CODE 00779 DRAWING NO. 1604089 RESTRICTED TO - SCALE 3:1 SHEET 1 OF 1 REV A
MATERIAL ELASTOMER COLOR-BLACK -		CUSTOMER DRAWING	

Mouser Electronics

Authorized Distributor

Click to View Pricing, Inventory, Delivery & Lifecycle Information:

[TE Connectivity:](#)

[1604089-2](#)