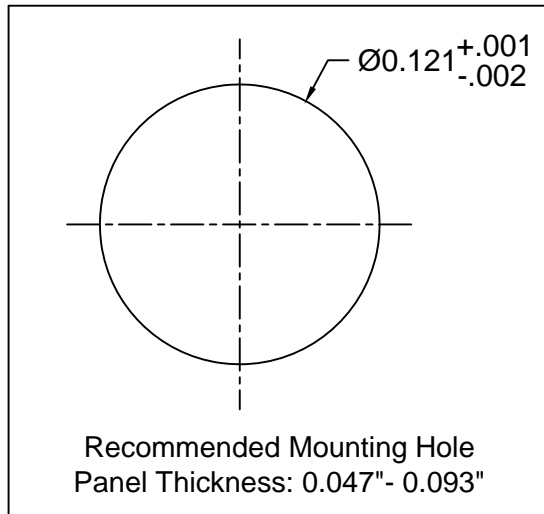
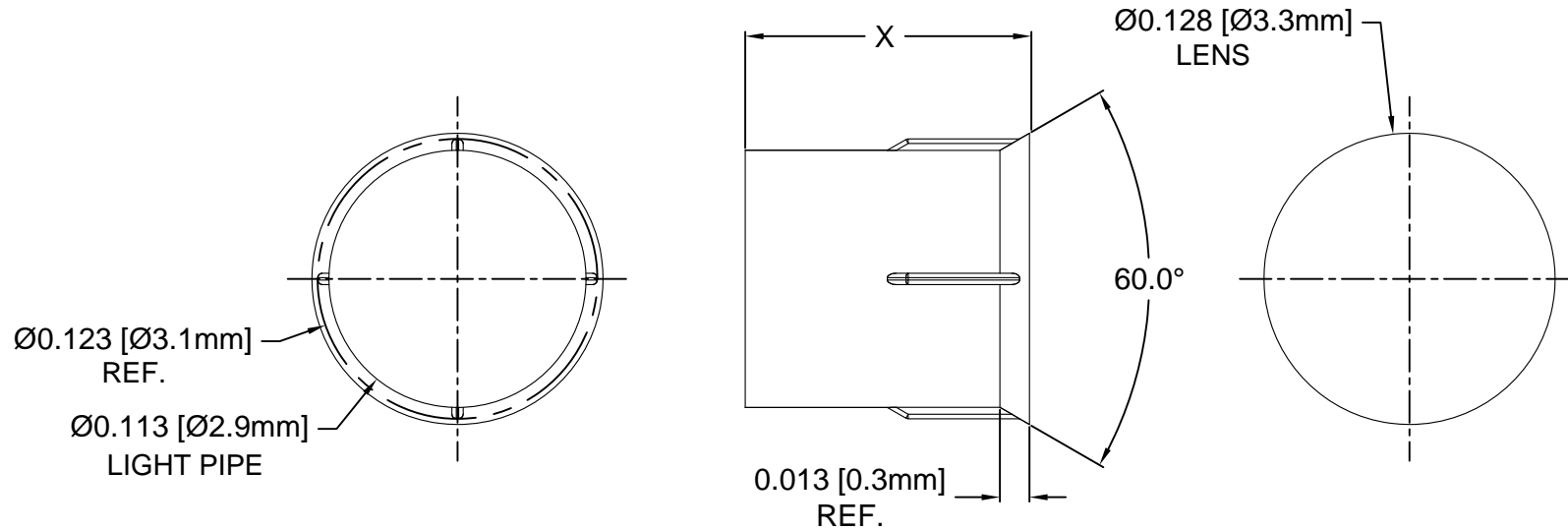
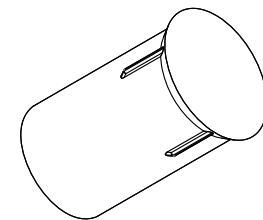

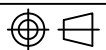


REV.	DESCRIPTION	DATE	APPROVED
B	Engineering Release	07/15/15	J. C.
C	Added Color Options, Sheet #2	01/25/16	J. C.



Part No.	X = Body Length
PLPC3-100	0.100 (2.5mm)
PLPC3-125	0.125 (3.2mm)
PLPC3-188	0.188 (4.8mm)
PLPC3-250	0.250 (6.4mm)
PLPC3-313	0.313 (7.9mm)
PLPC3-375	0.375 (9.5mm)
PLPC3-500	0.500 (12.7mm)
PLPC3-3MM	3mm (0.118")
PLPC3-4MM	4mm (0.157")
PLPC3-5MM	5mm (0.197")
PLPC3-6MM	6mm (0.236")
PLPC3-7MM	7mm (0.276")
PLPC3-8MM	8mm (0.315")
PLPC3-9MM	9mm (0.354")
PLPC3-10MM	10mm (0.394")



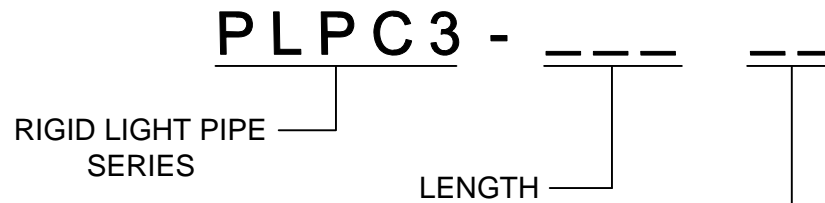
STANDARD TOLERANCE (UNLESS OTHERWISE SPECIFIED)		 BIVAR [®] 4 THOMAS, IRVINE, CA. 92618 TEL: (949) 951-8808 FAX: (949) 951-3974	
DECIMALS	ANGULAR		
.X ±.1	X° ± 1°	 TITLE: PRESS-FIT, PANEL MOUNT LIGHT PIPE, FLUSH, 3mm	
.XX ±.01			
.XXX ±.005			
DESIGNED: A. Wright	DATE: 04/24/15	PART NO: PLPC3-XXX	REVISION: C
CHECKED: B. Oliver	DATE: 04/24/15	CAGE CODE : 32559	SHEET # 1 OF 2
CAD GENERATED DOCUMENT, DO NOT MEASURE DRAWING.			

- MATERIAL: POLYCARBONATE, 94V-0, CLEAR.
- GENERAL SPECIFICATIONS: BIVAR MOLDED COMPONENT SPECIFICATION BV00-E101 and BSMC-1001.

OTHER AVAILABLE COLORS

* SEE TABLE FOR ORDERING INFORMATION

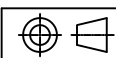
REV.	DESCRIPTION	DATE	APPROVED
	SEE SHEET #1		



COLOR	Order Code
BLUE	BE
BLACK	BK
GREEN	GN
GRAY	GY
RED	RD
YELLOW	YW

NOTE: LEAVE ORDER CODE BLANK IF NO COLOR IS DESIRED.

3. PARTS ARE DYED TO COLOR UPON REQUEST.

STANDARD TOLERANCE (UNLESS OTHERWISE SPECIFIED) DECIMALS ANGULAR		BIVAR [®] 4 THOMAS, IRVINE, CA. 92618 TEL: (949) 951-8808 FAX: (949) 951-3974	
			
DESIGNED: K. Aukshunas	DATE: 01/25/16	TITLE: PRESS-FIT, PANEL MOUNT LIGHT PIPE, FLUSH, 3mm	REVISION: C
CHECKED: J. Chiang	DATE: 01/25/16	PART NO: PLPC3-XXX	CAGE CODE : 32559 SHEET # 2 OF 2
CAD GENERATED DOCUMENT. DO NOT MEASURE DRAWING.			

Mouser Electronics

Authorized Distributor

Click to View Pricing, Inventory, Delivery & Lifecycle Information:

[BIVAR:](#)

[PLPC3-125](#) [PLPC3-3MM](#) [PLPC3-4MM](#) [PLPC3-5MM](#) [PLPC3-9MM](#) [PLPC3-100](#) [PLPC3-313](#) [PLPC3-7MM](#) [PLPC3-375](#) [PLPC3-188](#) [PLPC3-10MM](#) [PLPC3-8MM](#) [PLPC3-6MM](#) [PLPC3-500](#) [PLPC3-250](#)