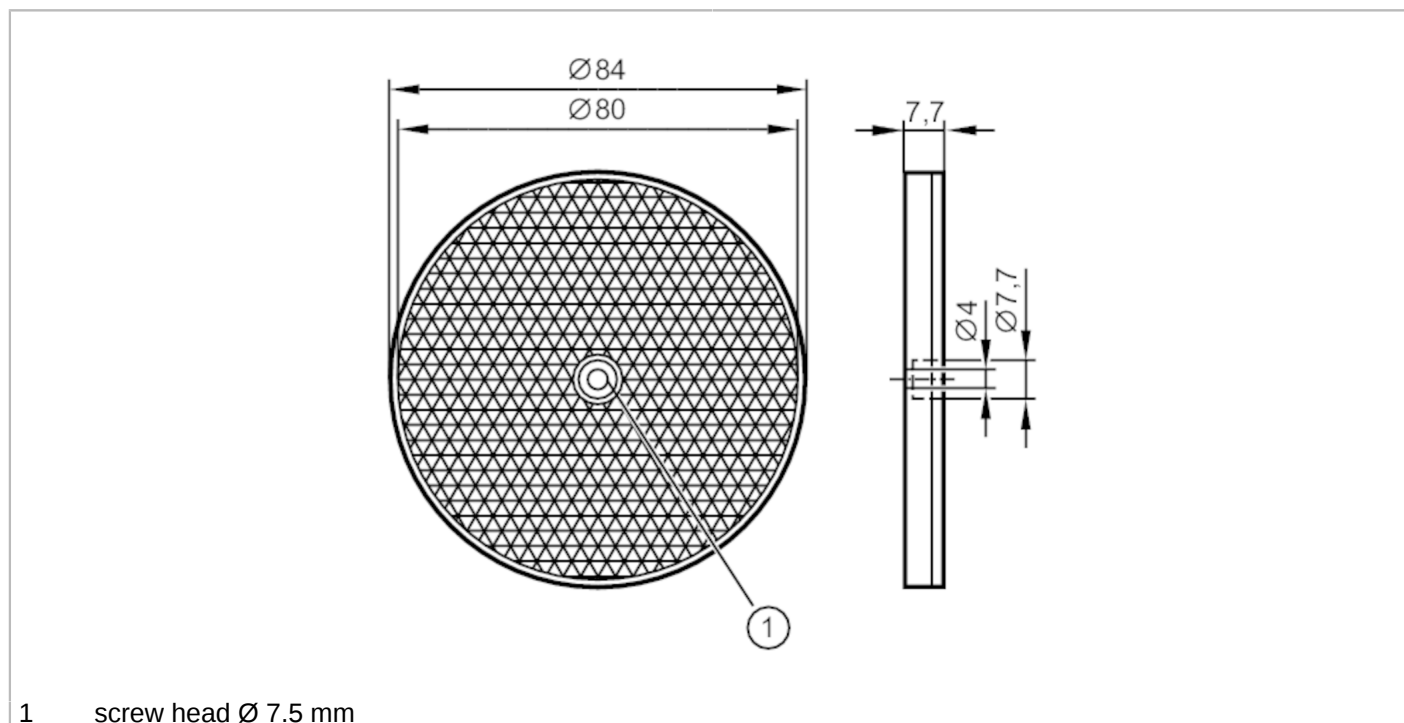


E20005



Reflector for retro-reflective sensors

REFLECTOR TS-80



Application	
Design	round, for red light and infrared light retro-reflective sensors
Operating conditions	
Ambient temperature	[$^{\circ}$ C] -10...60
Mechanical data	
Weight	[g] 30.9
Dimensions	[mm] \varnothing 84 / L = 7.7
Reflector surface	[mm] \varnothing 80
Materials	plastics
Remarks	
Pack quantity	1 pcs.