

RoHS Compliant

Illuminated Pushbutton - 19mm

Specifications

Electrical Ratings	1A @ 24VDC 1A @ 125VAC 0.5A @ 250VAC
Sealing Degree	IP67
Electrical Life	50,000 cycles typical
Contact Resistance	≤ 50mΩ initial

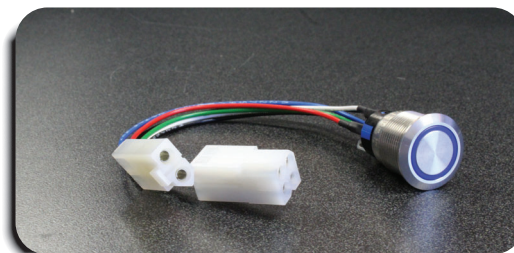
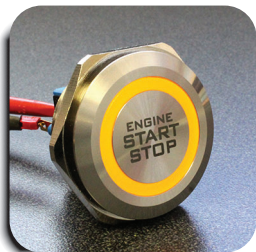
Actuation Force	550 ±50gF
Actuation Travel	2.5 ± .3mm
Dielectric Strength	2000Vrms min contact to contact 2000Vrms min contact to LED
Insulation Resistance	≥ 100MΩ min
Operating Temperature	-25°C to 70°C
Storage Temperature	-25°C to 70°C

Materials

Actuator	Stainless Steel or Anodized Aluminum
LED Lens	Polycarbonate (PC)
Threaded Body	Stainless Steel or Anodized Aluminum
Terminal Support	Polybutylene Terephthalate (PBT)
Inner Switch Body	Polycarbonate (PC)
Contacts	Gold Plate over Silver
Terminals	Gold Plate over Nickel Plate over Copper Alloy
Hardware	One Hex Nut & One "O" Ring Supplied

Contact Factory for

- Cable Assembly
- Shine Through Symbols
- Plastic Convex Actuator
- Laser Etching



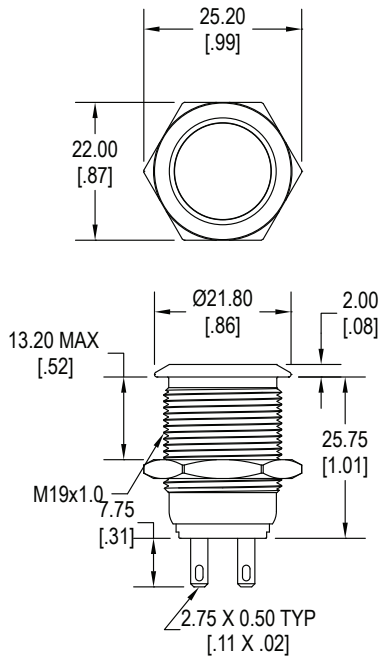
AH

Illuminated Pushbutton - 19mm

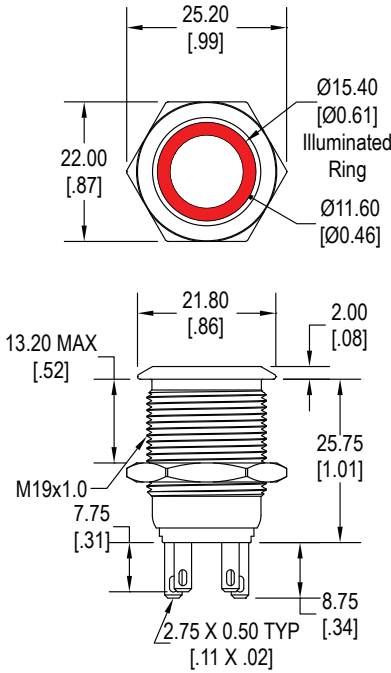
Ordering Information

1. Series	AH	1	N	A	S	X	
2. Number of Poles	1 = SPST NO +SPST NC						
3. Latching Option	L = Latching N = Momentary						
4. Actuator Style:	A = Flush actuator, non-illuminated B = Flush actuator, ring illuminated C = Flush actuator, dot illuminated G = Flush actuator, int'l standby symbol & ring illuminated* <small>*contact factory for G, R, U or Y finish options</small> MR = Mushroom actuator, red anodized aluminum EC = Epoxy Convex actuator, contact factory for details						
5. Switch Finish	S = Stainless Steel B = Black Anodized Aluminum G = Green Anodized Aluminum R = Red Anodized Aluminum U = Blue Anodized Aluminum Y = Yellow Anodized Aluminum						
6. LED Color	X = No LED R = Red Y = Yellow G = Green B = Blue W = White O = Orange RO = Red / Orange dual LED RY = Red / Yellow dual LED RG = Red / Green dual LED RB = Red / Blue dual LED OY = Orange / Yellow dual LED OG = Orange / Green dual LED OB = Orange / Blue dual LED YG = Yellow / Green dual LED YB = Yellow / Blue dual LED GB = Green / blue dual LED * Contact Factory for other LED options						
7. LED Voltage	Blank = No LED 6 = 6VDC 12 = 12VDC 24 = 24VDC 110 = 110VAC 220 = 220VAC N = No internal resistor in series with the LED						
8. Terminal Option	Blank = .100" Quick Connect, standard T = Screw Terminals						

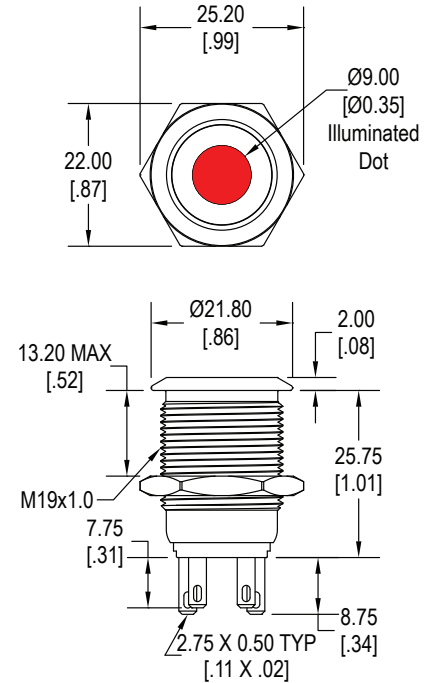
Dimensions



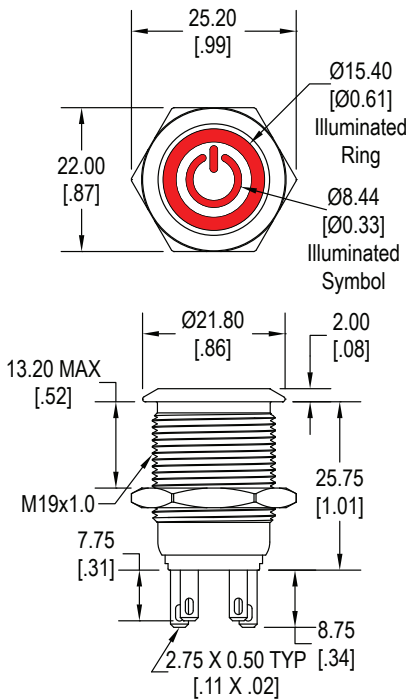
A - Momentary



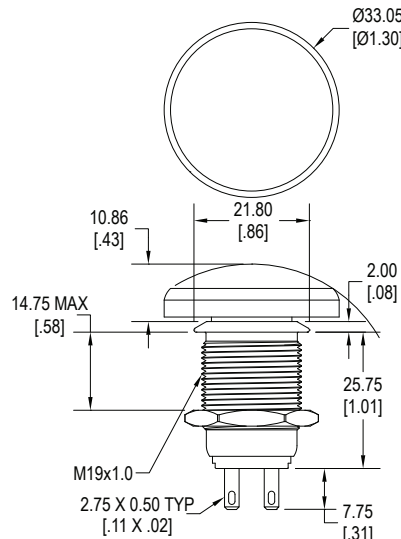
B - Momentary



C - Momentary

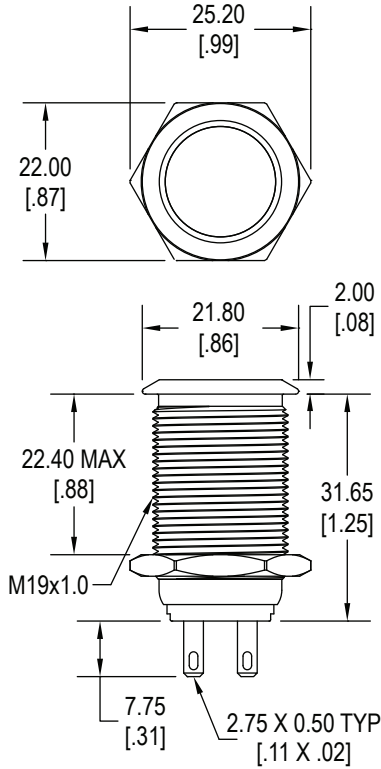


G - Momentary

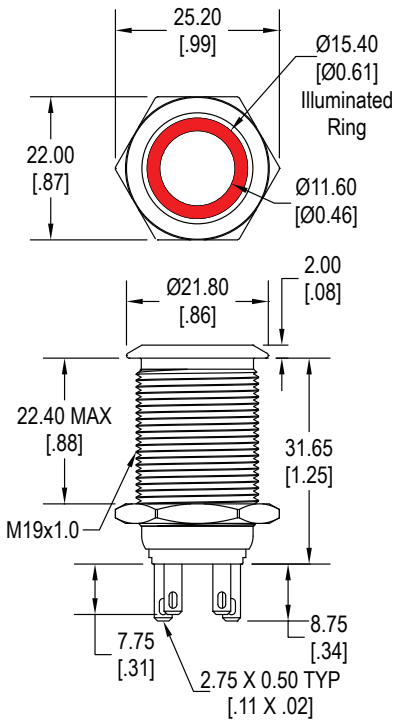


MR

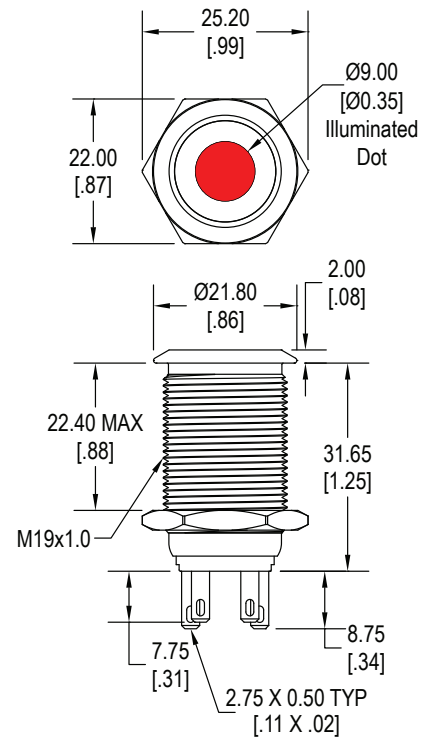
Dimensions



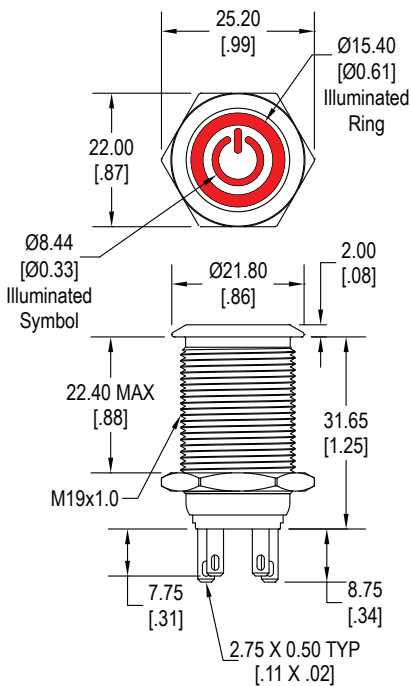
A - Latching



B - Latching

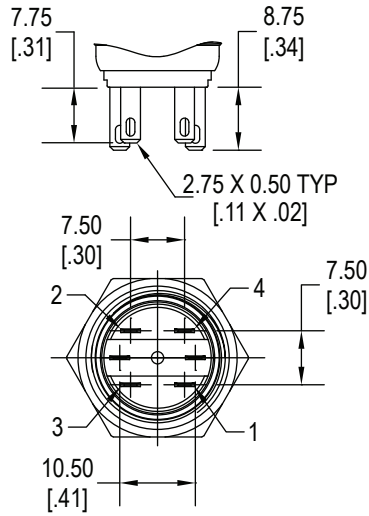


C - Latching

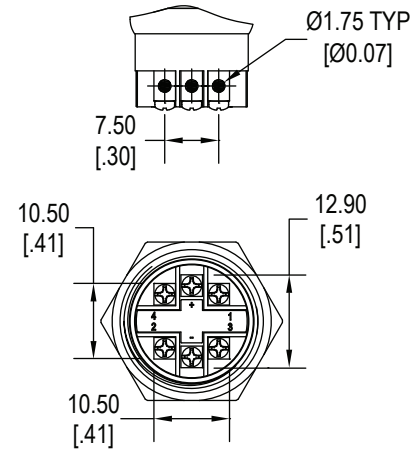


G - Latching

Termination

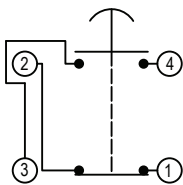


.100" Quick Connect, standard

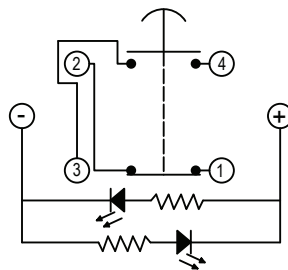


Screw Terminals

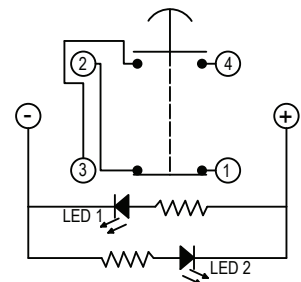
Schematics



**SPST NO + SPST NC
No LED**



**SPST NO + SPST NC
Single Color LED**

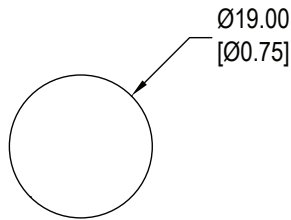


**SPST NO + SPST NC
Dual Color LED**

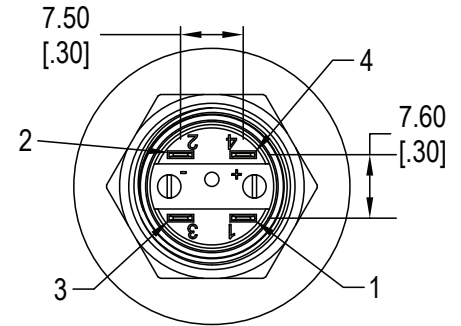
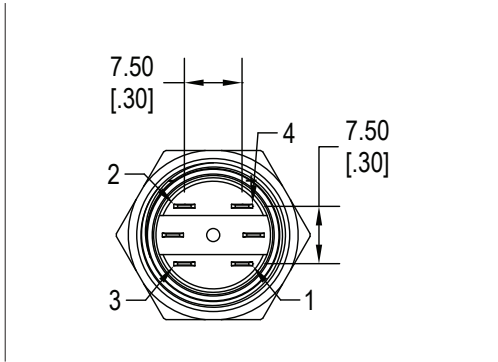
AH

Illuminated Pushbutton - 19mm

Panel Cut-Out



Bottom Views



LED Characteristics

LED Ratings		Color							Units
		R	Y	G	B	O	W		
Reverse Voltage	V_R	5	5	5	5	5	5	V	
Forward Current (avg)	I_F	25	25	30	30	25	30	mA	
Forward Current (peak)	I_{FS}	120	120	160	160	120	160	mA	
Reverse Current $V_R = 5V$	I_R	10	10	10	10	10	10	μA	
Power Dissipation	P_T	80	80	120	120	80	120	mW	
Operating & Storage Temperature	T_A	-40 ~ +85						C°	
Forward Voltage (typ) $I_F = 20mA$	V_F	2.1	2.1	3.3	3.3	2.0	3.0	V	
Forward Voltage (max) $I_F = 20mA$	V_F	2.4	2.5	3.6	3.6	2.3	3.6	V	
Wavelength at Peak Emmission $I_F = 20mA$	λ_P	635	592	516	463	606	n/a	nm	
Spectral Line Half-Width $I_F = 20mA$	$\Delta\lambda$	14	12	28	20	12	n/a	nm	
Luminous Intensity, $I_F = 20mA$	LI	120	120	170	100	120	700	mcd	
Viewing Angle	Θ	145	145	145	145	145	145	deg	