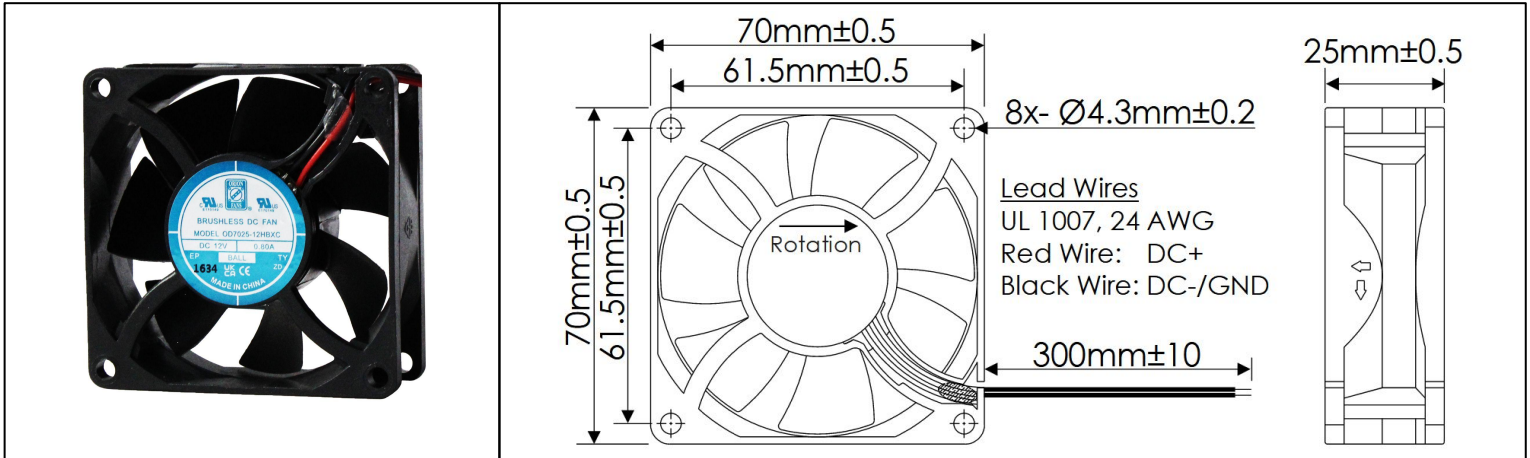


# OD7025 Series



DC Fans - 12, 24V  
70mm x 25mm (2.76" x 1.0")



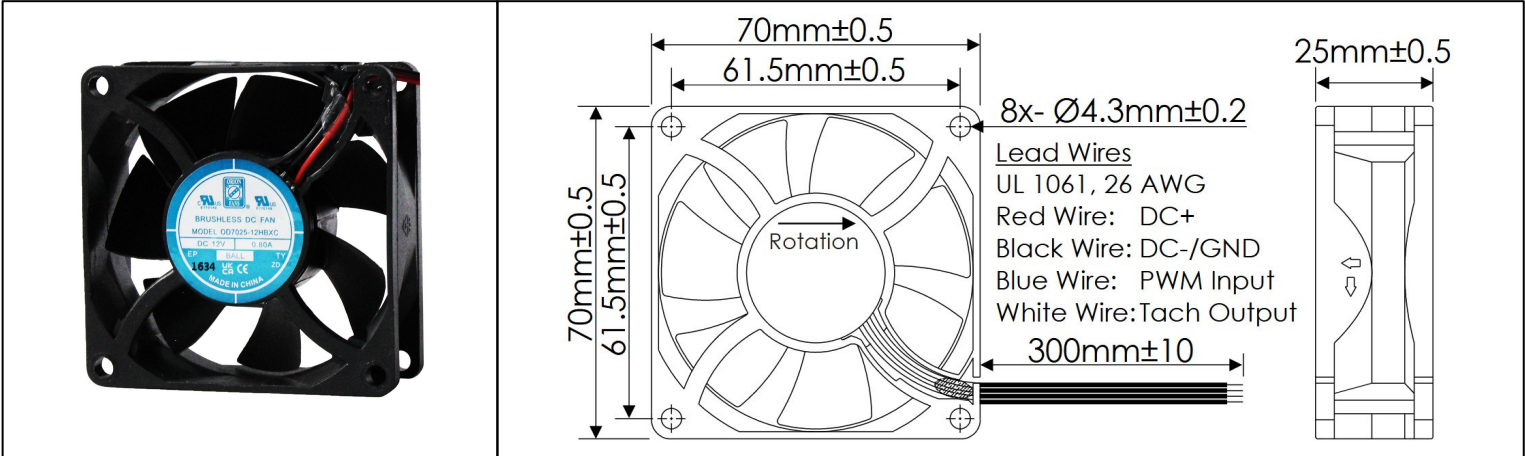
<b>Frame</b>	PBT, UL94 V-0 Plastic	<u>Operating Temperature</u> -10°C ~ +70°C  <u>Storage Temperature</u> -40°C ~ +80°C  <u>Life Expectancy</u> 70,000 Hours (L10 at 40°C)  <u>Available Options</u> PWM Speed Control Input Tachometer Output Alarm Output IP Ratings  Weight: 0.20 lbs.	
<b>Impeller</b>	PBT, UL94 V-0 Plastic		
<b>Connection</b>	2x Lead Wires, 24 AWG		
<b>Motor</b>	Brushless DC, Auto Cutoff, Auto Restart, Electronically Protected, Polarity Protected		
<b>Bearing System</b>	Ball Bearings		
<b>Dielectric Strength</b>	500VDC/min, <1mA		
<b>Insulation Resistance</b>	≥10MΩ @ 500 VDC		

Part Number	Rated Voltage (Volts DC)	Voltage Range (Volts DC)	Input Power (Watts)	Rated Current (Amps)	Rated Speed (RPM)	Max Airflow (CFM)	Noise Level (dBA)	Max Static Pressure ("H <sub>2</sub> O)
OD7025-12HBXC	12	11.0 ~ 13.2	9.6	0.80	6000	57	54.3	0.45
OD7025-12HHB	12	11.0 ~ 13.2	5.1	0.42	5000	48	47.5	0.32
OD7025-24HBXC	24	22.0 ~ 26.4	9.6	0.40	6000	57	54.3	0.45
OD7025-24HHB	24	22.0 ~ 26.4	6.24	0.26	5000	48	47.5	0.32
OD7025-24MB	24	22.0 ~ 26.4	3.12	0.13	3500	31	38.4	0.14

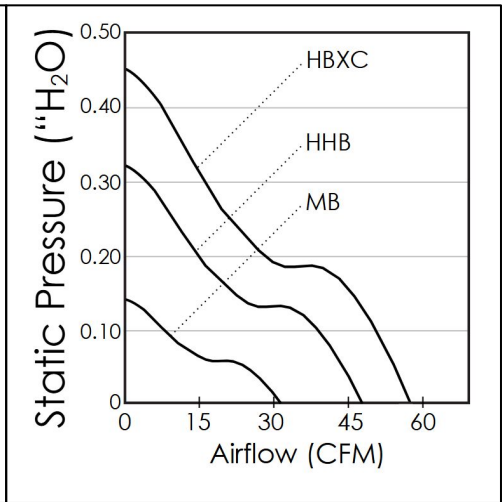
# OD7025 Series with PWM and Tach



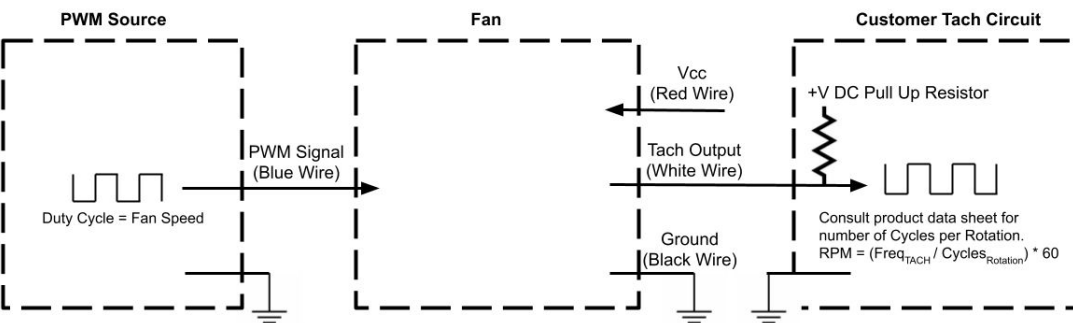
DC Fans - 12, 24V  
70mm x 25mm (2.76" x 1.0")



Frame	PBT, UL94 V-0 Plastic	<u>Operating Temperature</u> -10°C ~ +70°C
Impeller	PBT, UL94 V-0 Plastic	
Connection	4x Lead Wires, 26 AWG	<u>Storage Temperature</u> -40°C ~ +80°C
Motor	Brushless DC, Auto Cutoff, Auto Restart, Electronically Protected, Polarity Protected	<u>Life Expectancy</u> 70,000 Hours (L10 at 40°C)
Bearing System	Ball Bearings	<u>Installed Options</u> PWM Speed Control Input Open Collector Tach Output
Dielectric Strength	500VDC/min, <1mA	Weight: 0.20 lbs.
Insulation Resistance	≥10MΩ @ 500 VDC	



Part Number	Rated Voltage (Volts DC)	Voltage Range (Volts DC)	Input Power (Watts)	Rated Current (Amps)	Rated Speed (RPM)	Max Airflow (CFM)	Noise Level (dBA)	Max Static Pressure ("H <sub>2</sub> O)
OD7025-12HBXC10A	12	11.0 ~ 13.2	9.6	0.80	6000	57	54.3	0.45
OD7025-12HHB10A	12	11.0 ~ 13.2	5.1	0.42	5000	48	47.5	0.32
OD7025-24HBXC10A	24	22.0 ~ 26.4	9.6	0.40	6000	57	54.3	0.45
OD7025-24HHB10A	24	22.0 ~ 26.4	6.24	0.26	5000	48	47.5	0.32
OD7025-24MB10A	24	22.0 ~ 26.4	3.12	0.13	3500	31	38.4	0.14

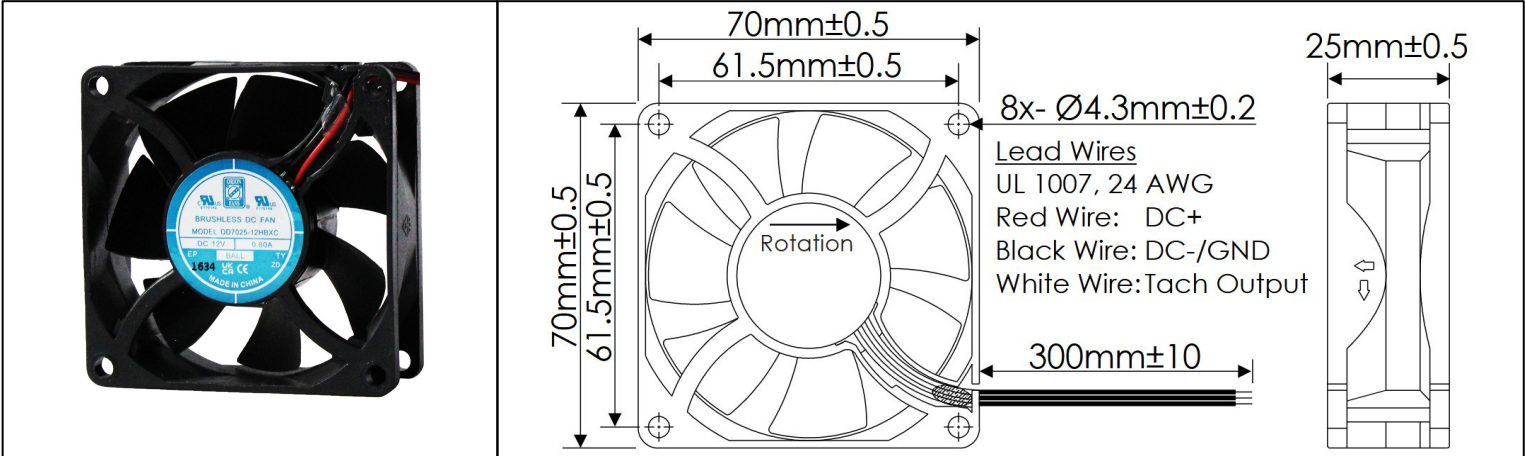


- Tach Max Pullup Voltage: Fan Vcc
- Tach Max Sink Current: 5mA
- Tach Cycles per Rotation: 2
- PWM Max High Voltage: 5V
- PWM Max Sink Current: 5mA
- PWM Frequency Range: 1KHz-40KHz
- PWM Typical Frequency: 25KHz
- RPM will be max speed if PWM input is disconnected.
- RPM will be ~20% of Max RPM at 0% Duty Cycle or if PWM input is grounded.

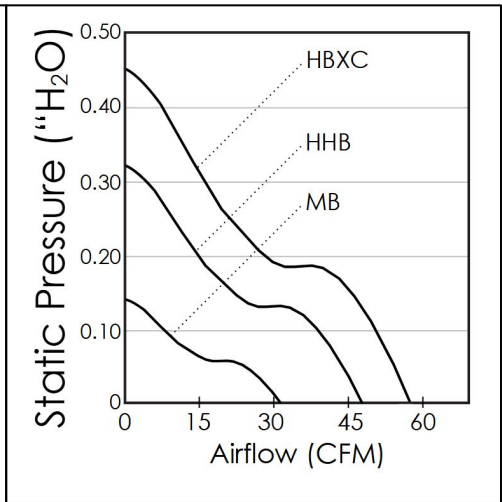
# OD7025 Series with Tach



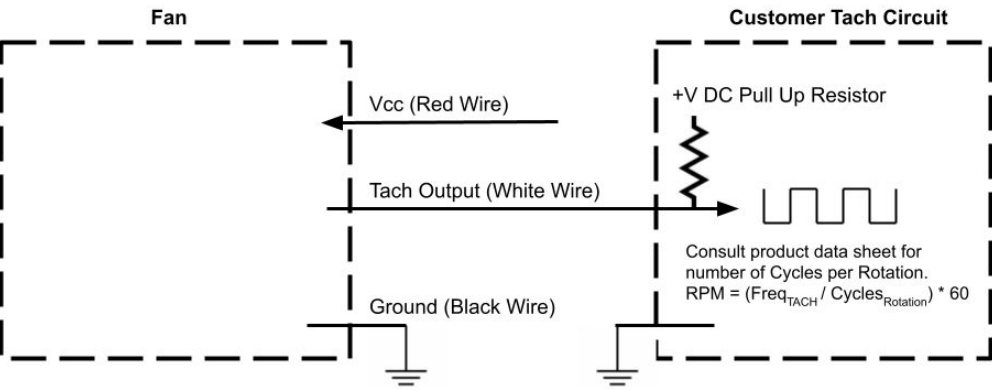
DC Fans - 12, 24V  
70mm x 25mm (2.76" x 1.0")



Frame	PBT, UL94 V-0 Plastic	<u>Operating Temperature</u> -10°C ~ +70°C  <u>Storage Temperature</u> -40°C ~ +80°C  <u>Life Expectancy</u> 70,000 Hours (L10 at 40°C)  <u>Installed Options</u> Open Collector Tach Output  Weight: 0.20 lbs.
Impeller	PBT, UL94 V-0 Plastic	
Connection	3x Lead Wires, 24 AWG	
Motor	Brushless DC, Auto Cutoff, Auto Restart, Electronically Protected, Polarity Protected	
Bearing System	Ball Bearings	
Dielectric Strength	500VDC/min, <1mA	
Insulation Resistance	≥10MΩ @ 500 VDC	



Part Number	Rated Voltage (Volts DC)	Voltage Range (Volts DC)	Input Power (Watts)	Rated Current (Amps)	Rated Speed (RPM)	Max Airflow (CFM)	Noise Level (dBA)	Max Static Pressure (H <sub>2</sub> O)
OD7025-12HBXC01A	12	11.0 ~ 13.2	9.6	0.80	6000	57	54.3	0.45
OD7025-12HHB01A	12	11.0 ~ 13.2	5.1	0.42	5000	48	47.5	0.32
OD7025-24HBXC01A	24	22.0 ~ 26.4	9.6	0.40	6000	57	54.3	0.45
OD7025-24HHB01A	24	22.0 ~ 26.4	6.24	0.26	5000	48	47.5	0.32
OD7025-24MB01A	24	22.0 ~ 26.4	3.12	0.13	3500	31	38.4	0.14



Tach Max Pullup Voltage: Fan Vcc  
 Tach Max Sink Current: 5mA  
 Tach Cycles per Rotation: 2

# Mouser Electronics

Authorized Distributor

Click to View Pricing, Inventory, Delivery & Lifecycle Information:

## Orion Fans:

[OD7025-24MB](#) [OD7025-24HHB](#) [OD7025-12HHB10A](#) [OD7025-12HBXC01A](#) [OD7025-12HBXC](#) [OD7025-12HBXC10A](#) [OD7025-12HHB](#) [OD7025-12HHB01A](#) [OD7025-24HBXC](#) [OD7025-24HBXC01A](#) [OD7025-24HBXC10A](#) [OD7025-24HHB10A](#) [OD7025-24MB10A](#)